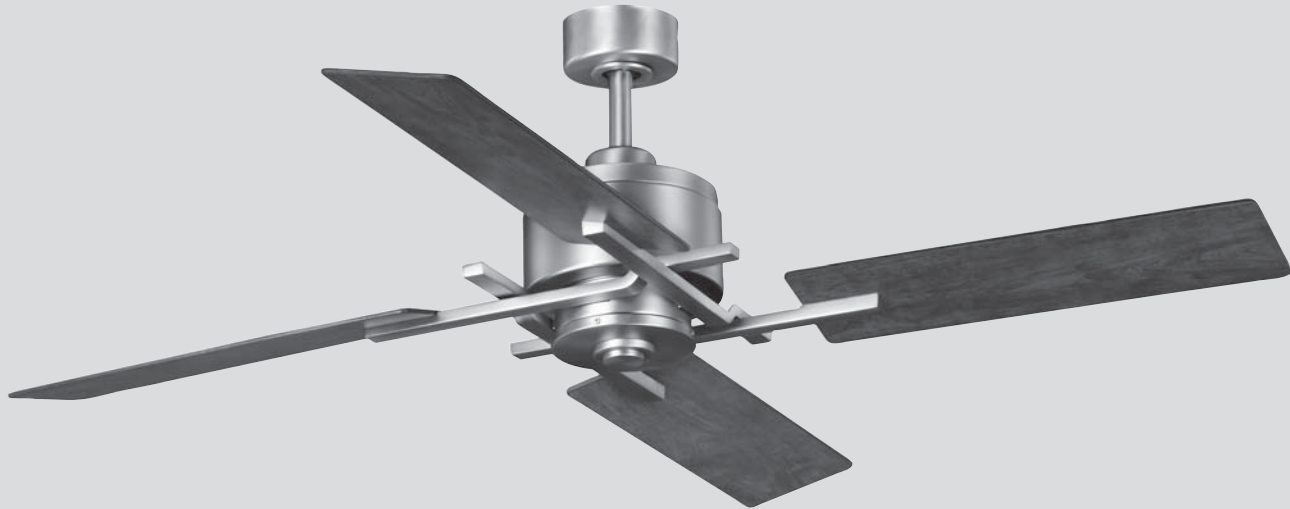


# urban ambiance

## Ceiling Fan Installation Manual



**UHP9060**  
**UHP9061**  
**UHP9062**

Safety Rules.....	1.
Unpacking Your Fan .....	2.
Installing Your Fan .....	3.
Installing the Decorative Cover .....	8.
Operating Your Transmitter .....	9.
Care of Your Fan .....	11.
Troubleshooting .....	12.
Specifications .....	13.

## *Table of Contents*

1. To reduce the risk of electric shock, ensure electricity has been turned off at the circuit breaker or fuse box before beginning.
2. All wiring must be in accordance with the National Electrical Code “ANSI/NFPA 70-1999” and local electrical codes. Electrical installation should be performed by a qualified licensed electrician.
3. The outlet box and support structure must be securely mounted and capable of reliably supporting a minimum of 35 lbs (15.9 kg) or less. Use only cUL-listed outlet boxes marked “FOR FAN SUPPORT.”
4. The fan must be mounted with a minimum of 7 ft. (2.1m) clearance from the trailing edge of the blades to the floor.
5. Avoid placing objects in the path of the blades.
6. To avoid personal injury or damage to the fan and other items, be cautious when working around or cleaning the fan.
7. Do not use water or detergents when cleaning the fan or fan blades. A dry dust cloth or lightly dampened cloth will be suitable for most cleaning.
8. After making electrical connections, spliced conductors should be turned upward and pushed carefully up into the outlet box. The wires should be spread apart with the grounded conductor and the equipment-grounding conductor on one side of the outlet box and ungrounded conductor on the other side of the outlet box.
9. All set screws must be checked and retightened where necessary before installation.
10. Suitable for use with solid-state speed control.

#### **WARNING**

TO REDUCE THE RISK OF PERSONAL INJURY, DO NOT BEND THE BLADE ARMS (ALSO REFERRED TO AS FLANGES), WHEN INSTALLING THE BRACKETS, BALANCING THE BLADES OR CLEANING THE FAN. DO NOT INSERT FOREIGN OBJECTS IN – BETWEEN ROTATING FAN BLADES.

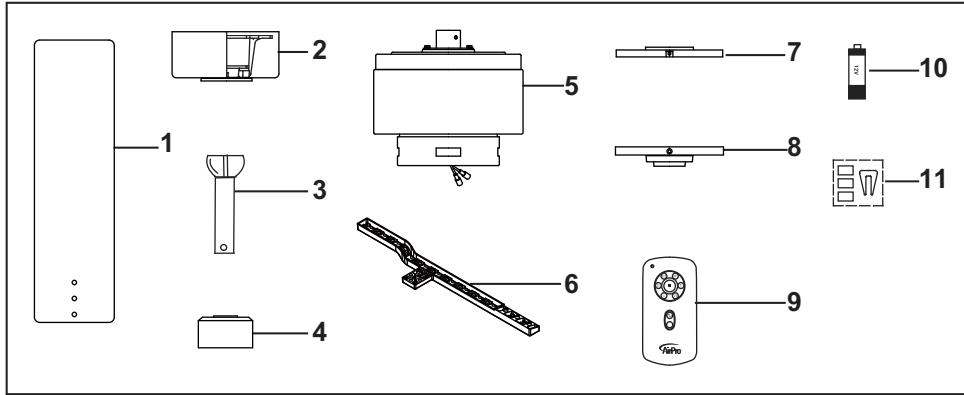
#### **WARNING**

TO REDUCE THE RISK OF FIRE, ELECTRIC SHOCK, OR OTHER PERSONAL INJURY, MOUNT FAN ONLY ON AN OUTLET BOX OR SUPPORTING SYSTEM MARKED ACCEPTABLE FOR FAN SUPPORT OF 35 LBS (15.9 KG) OR LESS AND USE MOUNTING SCREWS PROVIDED WITH THE OUTLET BOX. MOST OUTLET BOXES COMMONLY USED FOR THE SUPPORT OF LIGHTING FIXTURES ARE NOT ACCEPTABLE FOR FAN SUPPORT AND MAY NEED TO BE REPLACED. CONSULT A QUALIFIED ELECTRICIAN IF IN DOUBT.

#### **NOTE**

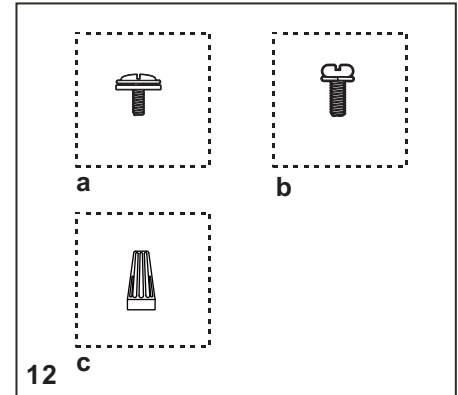
READ AND SAVE THESE INSTRUCTIONS

# *1. Safety Rules*



Unpack your fan and check the contents. You should have the following items:

- |                              |   |
|------------------------------|---|
| 1. Fan blades (4)            | 7. Mounting plate                               |
| 2. Canopy assembly           | 8. Decorative cover                             |
| 3. Ball/downrod assembly     | 9. Transmitter incl. holder + 2 mounting screws |
| 4. Coupling cover            | 10. 12V battery                                 |
| 5. Fan motor assembly        | 11. Balancing kit                               |
| 6. Set of blade brackets (4) |   |



12. Loose parts bag containing:
- a. Blade attachment hardware**  
(13 screws, 13 fiber washers)
  - b. Blade arms attachment hardware**  
(9 screws with lock washers)
  - c. Mounting hardware**  
Wire nuts (3)

*Unpacking Your Fan 2.*

## Tools Required

Phillips screw driver, straight slot screw driver, adjustable wrench, step ladder, and wire cutters.

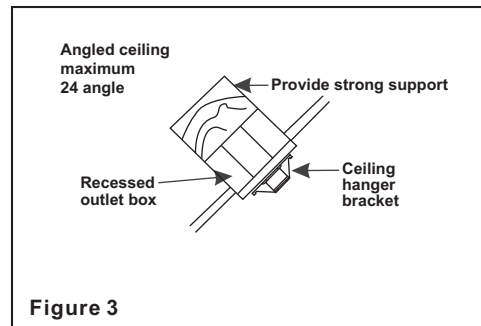
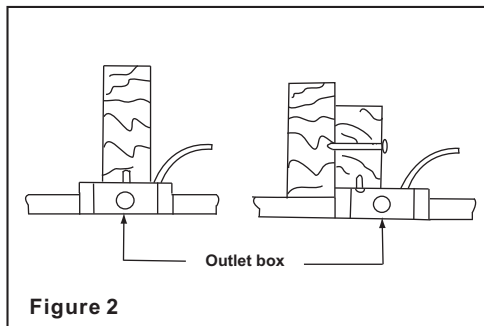
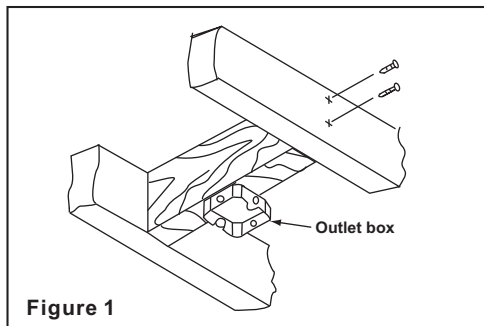
## Mounting Options

If there isn't an existing cUL listed mounting box, then read the following instructions. Disconnect the power by removing fuses or turning off circuit breakers.

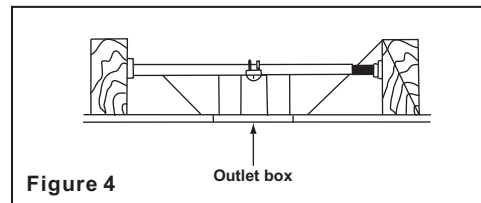
Secure the outlet box directly to the building structure. Use appropriate fasteners and building materials. The outlet box and its support must be able to fully support the moving weight of the fan (at least 35 lbs). Do not use plastic outlet boxes.

### WARNING

TO REDUCE THE RISK OF FIRE, ELECTRIC SHOCK, OR OTHER PERSONAL INJURY, MOUNT FAN ONLY TO AN OUTLET BOX MARKED ACCEPTABLE FOR FAN SUPPORT AND USE THE MOUNTING SCREWS PROVIDED WITH THE OUTLET BOX. OUTLET BOXES COMMONLY USED FOR THE SUPPORT OF LIGHTING FIXTURES MAY NOT BE ACCEPTABLE FOR FAN SUPPORT AND MAY NEED TO BE REPLACED. CONSULT A QUALIFIED ELECTRICIAN IF IN DOUBT.



**Note:** You may need a longer downrod to maintain proper blade clearance when installing on a steep, sloped ceiling.



To hang your fan where there is an existing fixture but no ceiling joist, you may need an installation hanger bar as shown in Figure 4.

# 3. Installing Your Fan

## Hanging the Fan

**REMEMBER** to turn off the power. Follow the steps below to hang your fan properly:

**Step 1.** Remove the decorative canopy bottom cover from the canopy by turning the cover counter clockwise.(Fig. 5)

**Step 2.** Remove the mounting bracket from the canopy by removing the 1 of 2 screws from the bottom of the mounting bracket and loosening the other one a half turn from the screw head. Next, turn the canopy counter clockwise to removing the mounting bracket from the canopy. (Fig. 5)

**Step 3.** Pass the 120-volt supply wires through the center hole in the ceiling hanger bracket as shown in Fig. 6.

**Step 4.** Secure the hanger bracket to the ceiling outlet box with the screws and washers provided with your outlet box.

**Step 5.** Remove the hanger pin, lock pin and set screws from the top of the motor assembly. (Fig. 7)

**Step 6.** Route the safety cable and wires exiting from the top of the fan motor through the coupling cover, canopy cover and canopy and then through the ball / downrod. (Fig. 7)

**Step 7.** Align the holes at the bottom of the downrod with the holes in the collar on top of the motor housing (Fig. 7). Carefully insert

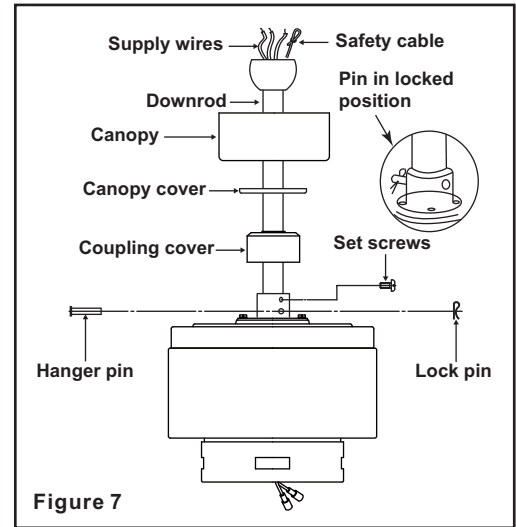
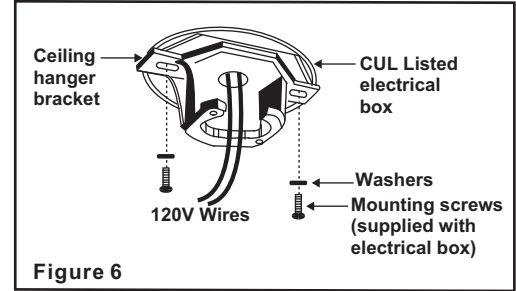
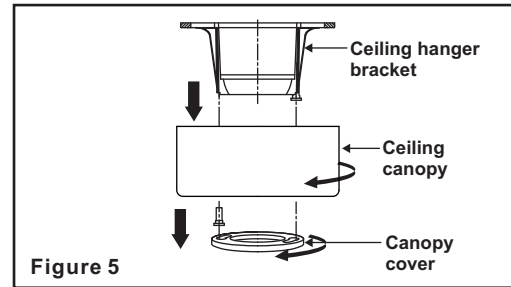
the hanger pin through the holes in the collar and downrod. Be careful not to jam the pin against the wiring inside the downrod. Insert the locking pin through the hole near the end of the hanger pin until it snaps into its locked position, as noted in the circle inset of Fig. 7.

**WARNING**  
FAILURE TO PROPERLY INSTALL  
LOCKING PIN AS NOTED IN STEP 7  
COULD RESULT IN FAN LOOSENING AND  
POSSIBLY FALLING.

**Step 8.** Tighten two set screws on top of the fan motor firmly. (Fig. 7)

**Step 9.** Place the downrod ball into the hanger bracket socket. (Fig. 8)

**Step 10.** Secure the safety cable to the building structure with a wood screw. (wood screw not supplied) (Fig. 8)



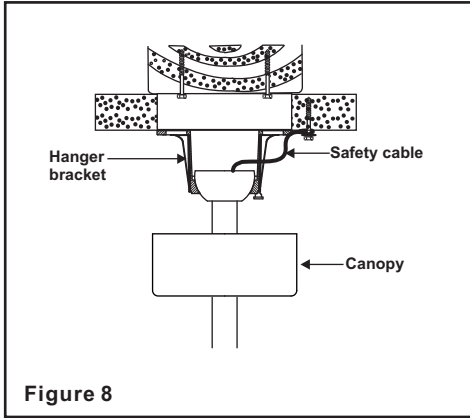


Figure 8

## Make the Electrical Connections

**WARNING:** To avoid possible electrical shock, be sure electricity is turned off at the main fuse box before wiring.

**Step 1.** Motor to House Supply Wires Electrical Connections: Connect the WHITE wire (Neutral) from the outlet box to the WHITE wire marked "AC in N" from the motor. (Fig. 9)

**Step 2.** Connect the BLACK wire (Hot) from the outlet box to the BLACK wire marked "AC in L" from the motor. (Fig. 9)

Secure all wire connections with the plastic wire nuts provided.

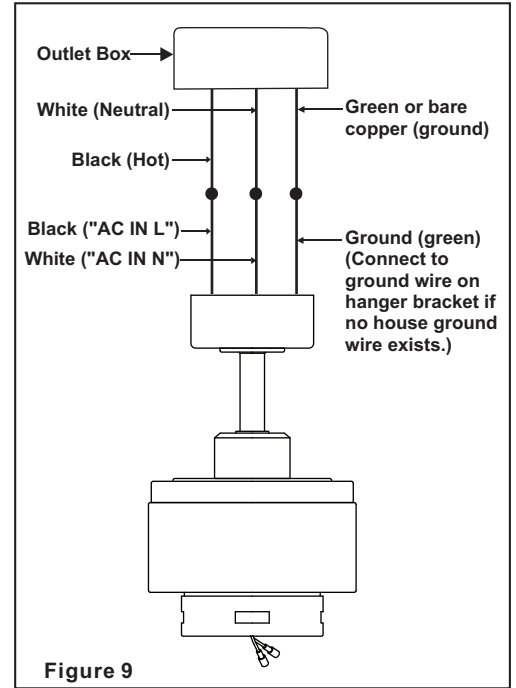


Figure 9

## Finishing the Installation

**Step 1.** Tuck connections neatly into ceiling outlet box.

**Step 2.** Slide the canopy up to mounting bracket and place the key hole on the canopy over the screw on the mounting bracket, turn canopy until it locks in place at the narrow section of the key holes. (Fig. 10)

**Step 3.** Align the circular hole on canopy with the remaining hole on the mounting bracket, secure by tightening the two set screws. Note: Adjust the canopy screws as necessary until the canopy and canopy cover are snug.

### WARNING

Make sure the notch on the hanging bracket properly sits in the groove in the hanger ball before attaching the canopy to the bracket by turning the housing until it drops into place.

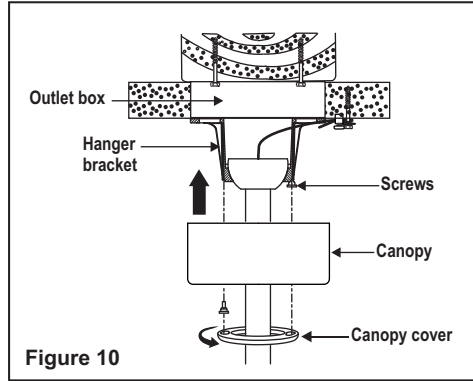


Figure 10

## Attaching the Fan Blades

**Step 1.** Attach the blades to the blade arms using three screws and fiber washers as shown in Figure 11. Start a screw into the blade arm, do not tighten. Repeat for the 2 remaining screws and washers.

**Step 2.** Tighten each screw securely starting with the center screw. Make sure the blade is straight.

**Step 3.** Fasten the blade assembly to the motor using the motor screws provided.

**Step 4.** Repeat these steps for the remaining blades.

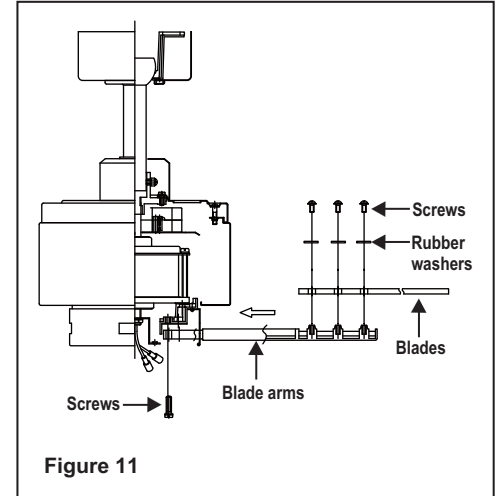


Figure 11



## Blade Balancing

All blades are grouped by weight. Because natural woods vary in density, the fan may wobble even though the blades are weighed equally.

The following procedure should correct most fan wobbling problems. Check after each step.

1. Check that all blade and blade arm screws are secure.
2. Most fan wobbling problems are caused when blade levels are unequal. Check this level by selecting a point on the ceiling above the tip of one of the blades. Measure this distance as shown in Figure 12. Rotate the fan until the next blade is positioned for measurement. Repeat for each blade. The distance deviation should be equal within 1/8".
3. Use the enclosed Blade Balancing Kit if the blade wobble is still noticeable.
4. If the blade wobble is still noticeable, interchanging two adjacent (side by side) blades can redistribute the weight and possibly result in smoother operation.

**WARNING**  
TO REDUCE THE RISK OF PERSONAL INJURY, DO NOT BEND THE BLADE HOLDERS WHILE INSTALLING, BALANCING THE BLADES, OR CLEANING THE FAN. DO NOT INSERT FOREIGN OBJECTS BETWEEN ROTATING FAN BLADES.

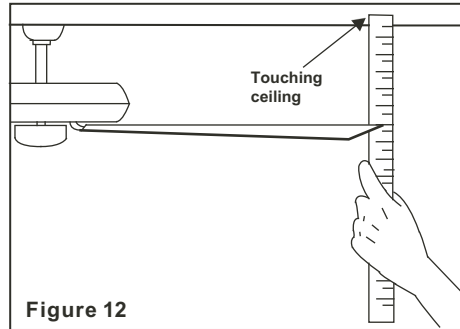


Figure 12

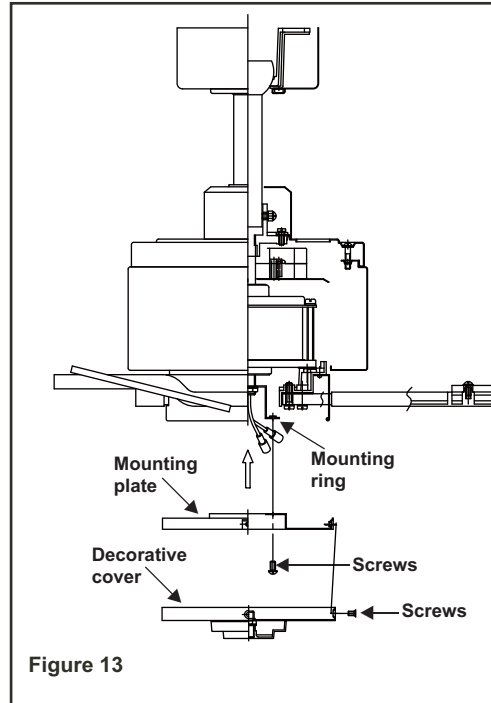
**CAUTION:** Before starting installation, disconnect the power by turning off the circuit breaker or removing the fuse at fuse box. Turning power off using the fan switch is not sufficient to prevent electric shock.

**Step 1.** Remove the 1 of 3 screws from the posts of the mounting ring and keep it for future use. Loosen the other 2 screws. (Do not remove)

**Step 2.** Place the key holes in the mounting plate over the two screws previously loosened from the mounting ring. Turn the mounting plate until the decorative cover locks in place at the narrow section of the key holes. (Fig. 13)

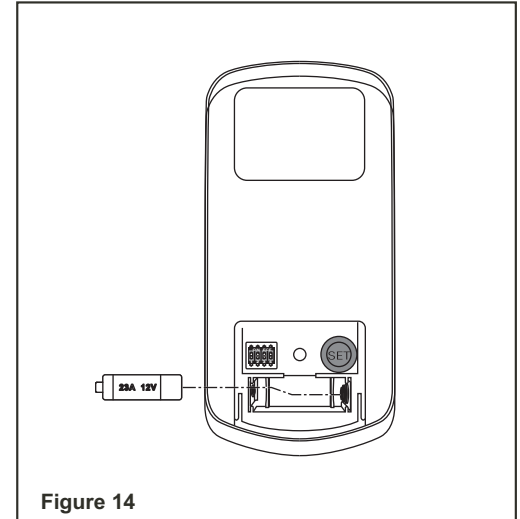
**Step 3.** Securely tighten the two mounting screws previously loosened and the one previously removed.

**Step 4.** Remove the four screws from the mounting plate, attach the decorative cover to the mounting plate and secure with the three screws previously removed.



## Installing the battery

Install a 12V battery (included) into the remote control. To prevent damage to the remote control, remove the battery if not used for long periods. (Fig. 14)



*Installing the Decorative Cover 8.*

#### Remote Control Button Definitions:

These six buttons are used to set the fan speed as follows:

I = minimum speed

II = low speed

III = medium low speed

IV = medium speed

V = medium high speed

VI = high speed

■ button: Turns the fan off.

⌚ button: Controls fan direction.

"D" and "ON" dip switch: The "D" selection is the light dimmable selection for LED light only. The "ON" selection is the light on only (no dimmable function). (Fig. 16)

Your DC brushless motor is equipped with an automatically learned type remote control. There are no frequency switches on the receiver; the receiver unit will automatically scan the frequency from the remote control if any changes are made. The frequency settings on the transmitter should be changed **ONLY in case of interference or if a second or more ceiling fans with the same type of control system are installed in the same structure.**

#### Setting the Remote Control

Follow the below steps to set the remote control:

The auto learning function will only mandate within 60 seconds when turning the fan's AC power ON.

a) Select desired frequency from the transmitter. The dip switches can be set to 16 different combinations. (Fig. 16)

b) From the back of the transmitter, with the fan's power off, restore power to the fan. Press and hold "SET" button for about 5 seconds and release. If optional light kit is installed, the light kit will flash twice and the signal light on the hand held transmitter will come on when the button is pressed. The fan has completed the pairing process with the remote control and is ready for use. (Fig. 16)

**NOTE:** If the self calibration test failed, turn the AC power off; restore power and process the self calibration test again.

**NOTE:** During self calibration test, the remote is non-functional.

**NOTE:** The learning frequency function and self calibration test will continue to retain the last set frequency and calibration set even when the AC power is shut off. If the frequency is changed the self calibration test will occur again.

Over 80W protection: When the receiver detects motor power consumption which is greater than 80W, the receiver power will be stopped and operation will immediately discontinue. Wait for 5 seconds and then turn the receiver power back on.

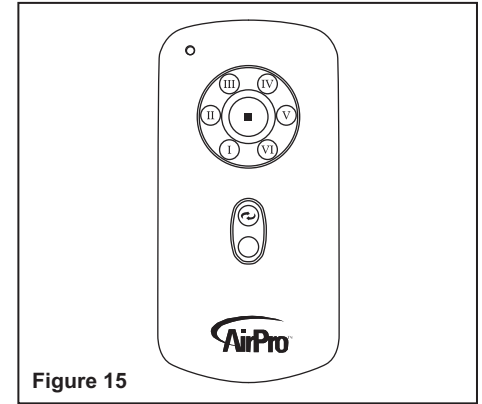


Figure 15

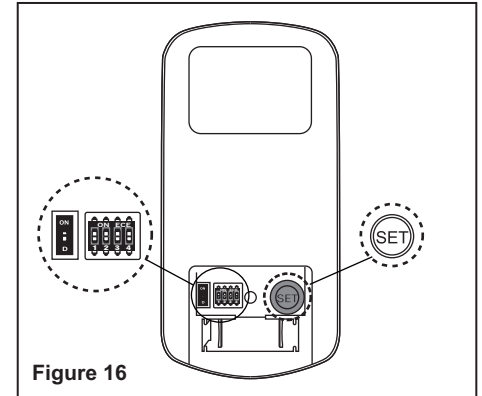


Figure 16

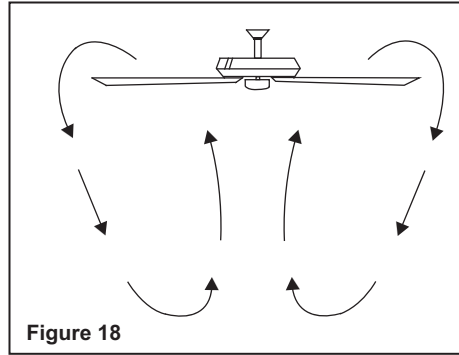
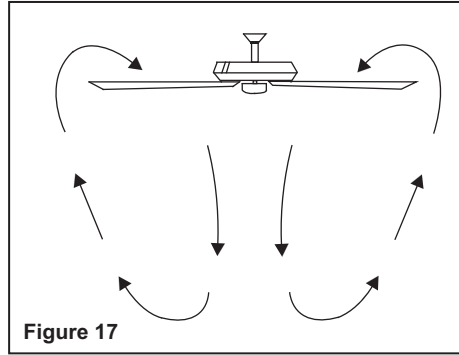
## 9. Operating Your Transmitter

Speed settings for warm or cool weather depend on factors such as the room size, ceiling height, number of fans and so on.

**NOTE:** To operate the reverse function on this fan, press the reverse button while the fan is running.

**Warm weather - (Forward)** A downward airflow creates a cooling effect as shown in Fig. 17. This allows you to set your air conditioner on a warmer setting without affecting your comfort.

**Cool weather - (Reverse)** An upward airflow moves warm air off the ceiling area as shown in Fig. 18. This allows you to set your heating unit on a cooler setting without affecting your comfort.

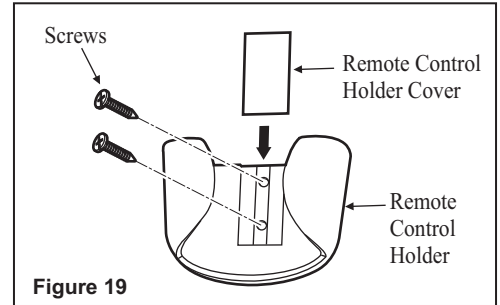


## Installing the Remote Control Holder

**Step 1.** Remove the remote control holder cover from the remote control holder.

**Step 2.** Attach the remote control holder with the two remote control holder mounting screw provided. (Fig. 19)

**Step 3.** Replace the remote control holder cover into remote control holder.



Here are some suggestions to help you maintain your fan

1. Because of the fan's natural movement, some connections may become loose. **Check the support connections, brackets, and blade attachments twice a year.** Make sure they are secure. **(It is not necessary to remove fan from ceiling.)**

2. Clean your fan periodically to help maintain its new appearance over the years. Use only a soft brush or lint-free cloth to avoid scratching the finish. The plating is sealed with a lacquer to minimize discoloration or tarnishing. Do not use water when cleaning. This could damage the motor, or the wood, or possibly cause an electrical shock.

3. You can apply a light coat of furniture polish to the wood blades for additional protection and enhanced beauty. Cover small scratches with a light application of shoe polish.

4. **There is no need to oil your fan.** The motor has permanently lubricated bearings.

**IMPORTANT**  
MAKE SURE THE POWER IS OFF AT THE ELECTRICAL PANEL BOX BEFORE YOU ATTEMPT ANY REPAIRS. REFER TO THE SECTION "MAKING ELECTRICAL CONNECTIONS".

## *11. Care of Your Fan*

## Problem

## Solution

Fan will not start.

1. Check circuit fuses or breakers.
2. Check line wire connections to the fan and switch wire connections in the switch housing.  
**CAUTION:** Make sure main power is off.

Fan sounds noisy.

1. Make sure all motor housing screws are snug.
2. Make sure the screws that attach the fan blade bracket to the motor hub is tight.
3. Make sure wire nut connections are not rubbing against each other or the interior wall of the switch housing.  
**CAUTION:** Make sure main power is off.
4. Allow a 24-hour "breaking-in" period. Most noise associated with a new fan disappear during this time.
5. If using an optional light kit, make sure the screws securing the glassware are tight. Check that light bulb is also secure.
6. Some fan motors are sensitive to signals from solid-state variable speed controls. If you have installed this type of control, choose and install another type of control.
7. Make sure the upper canopy is a short distance from the ceiling. It should not touch the ceiling.

Fan has lost its programming repeatedly.

1. Turn the AC power off to fan, and re-do steps for programming on page 9.
2. Do not turn off fan from standard wall switch. Use only our wall switch or your remote to regulate fan.

*Troubleshooting 12.*

<b>Fan Size</b>	<b>Speed</b>	<b>Volts</b>	<b>Amps</b>	<b>Watts</b>	<b>RPM</b>	<b>CFM</b>	<b>N.W.</b>	<b>G.W.</b>	<b>C.F.</b>
<b>56"</b>	<b>Low</b>	<b>120</b>	<b>0.051</b>	<b>2.42</b>	<b>49</b>	<b>1906.33</b>	<b>14.33 lbs</b>	<b>17.08 lbs</b>	<b>1.98'</b>
	<b>High</b>	<b>120</b>	<b>0.45</b>	<b>33.61</b>	<b>151</b>	<b>6044.03</b>			

These are approximate measures. They do not include Amps and Wattage used by the light kit.

## *13. Specifications*