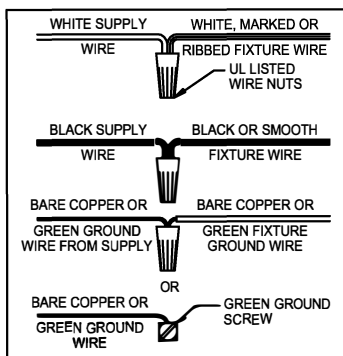
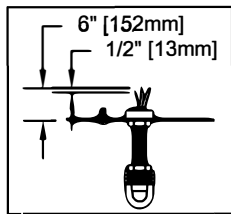


WARNING - If any Special Control Devices are used with this Fixture, Follow the Instructions Carefully to assure full compliance with N.E.C. requirements. If there are any questions, contact a Qualified Electrical Contractor.
CAUTION - All glass is fragile, use care when handling Glass component(s) and or Lamp(s).

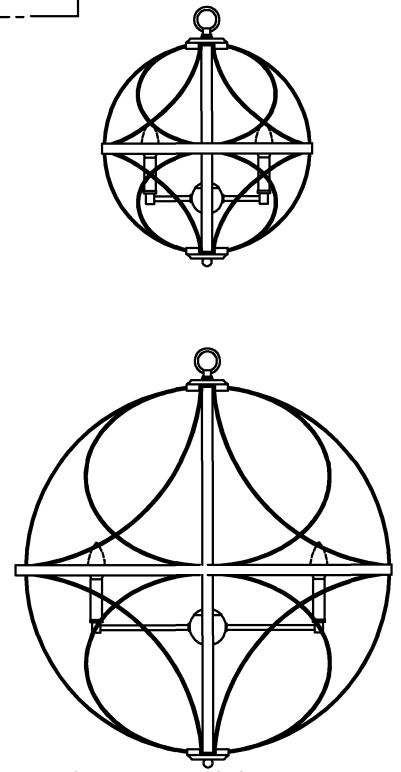
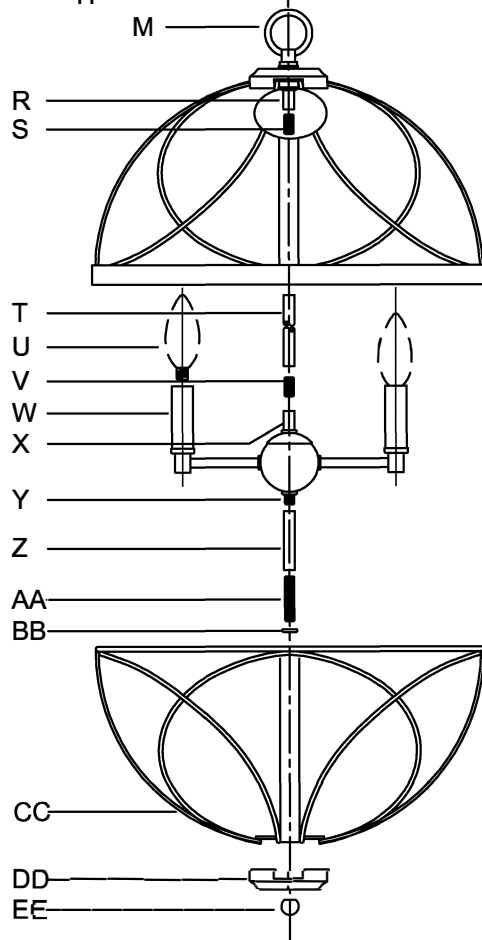
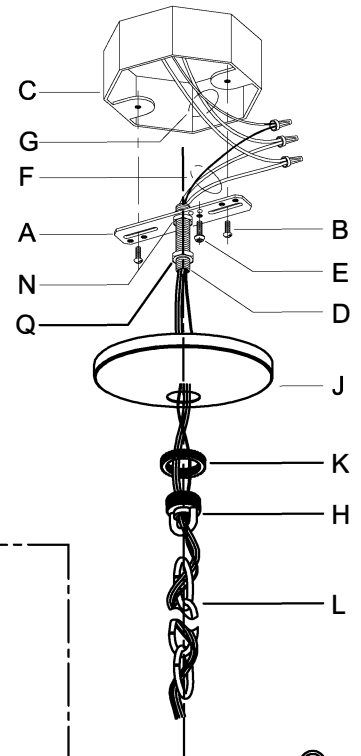
CANOPY MOUNTING & WIRE CONNECTION ASSEMBLY STEPS:



ADJUST HEIGHT WITH "D"
 N A (TO LOCK)
 RÉGLEZ LA HAUTEUR AVEC "D"
 N A (À VERROUILLER)
 AJUSTA LA ALTURA CON "D"
 N A (APRETAR)

B, C, G & U
 (NOT FURNISHED)
 (NON FOURNIE)
 (NO INCLUIDA)

1. D, E → A
2. B, A → C
3. N, Q, H → D
4. Q → H (TO LOCK) (À VERROUILLER) (APRETAR)
5. F → M
6. L → M
7. J, K → L
8. L → H
9. F → L, K, J, H, D
10. F → G
11. J, K → H



FIXTURE ASSEMBLY STEPS:

1. L → M
2. S, T → R
3. V, X → T
4. U → W
5. Z → Y
6. AA, BB → Z
7. EE, DD, CC → AA



Questions?

Call our Customer Care Team at 1-855-303-4229

urban ambiance

www.urbanambiance.com