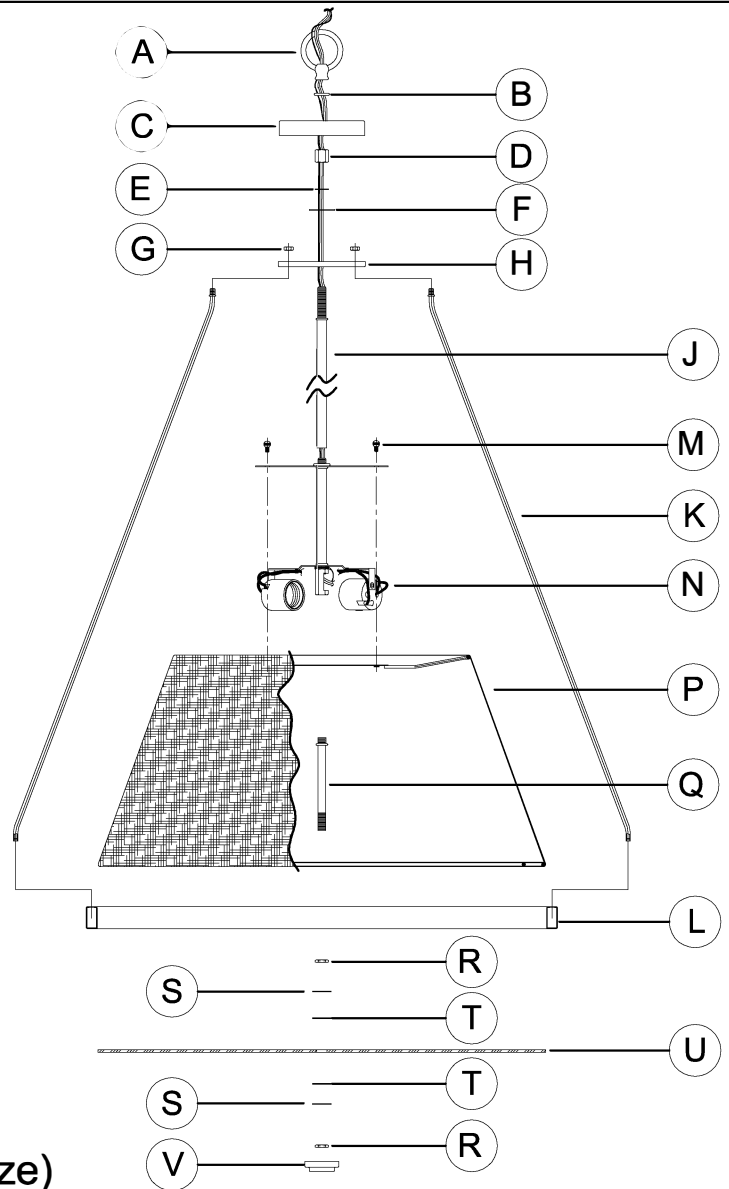


urban ambiance

Installation Instructions: **UHP4386**

| PART | DESCRIPTION | QUANTITY |
|------|-------------------|----------|
| A | Chain loop | 1 |
| B | Beaded nut | 1 |
| C | Cover | 1 |
| D | Hex coupling | 1 |
| E | Lock washer | 1 |
| F | Flat washer | 1 |
| G | Hex nut (#10-24) | 4 |
| H | Cup | 1 |
| J | Stem (1/4IP) | 1 |
| K | Rod | 4 |
| L | Frame | 1 |
| M | Knurled ball stud | 3 |
| N | Socket assembly | 1 |
| P | Fabric shade | 1 |
| Q | Stem (1/8IP) | 1 |
| R | Hex nut (1/8IP) | 2 |
| S | Flat washer | 2 |
| T | Rubber washer | 2 |
| U | Glass diffuser | 1 |
| V | Finial knob | 1 |



HARDWARE CONTENTS (not actual size)

| | | | | | | | | |
|---------|----------|----------------|--------------|--------------|--------|-------|--------|------------------|
| | | | | | | | | |
| Hex Nut | Wire Nut | Mounting Strap | Screw Collar | Chain Holder | Nipple | Chain | Canopy | Steel quick-link |
| Qty:2 | Qty:3 | Qty:1 | Qty:1 | Qty:1 | Qty:1 | Qty:1 | Qty:1 | Qty:1 |



Questions?

Call our Customer Care Team at 1-855-303-4229

urban ambiance

www.urbanambiance.com



Safety Information

Please read and understand this entire manual before attempting to assemble, operate or install the product.

CAUTION: Read instructions carefully and turn electricity off at main circuit breaker panel before beginning installation.

CAUTION: Risk of fire. Min. 90°C supply conductors. Consult a qualified electrician to ensure correct branch circuit conductor.

WARNING: If any Special Control Devices are used with this fixture, follow instructions carefully to assure full compliance with N.E.C. requirements. If there are any questions, contact a qualified electrical contractor.

CAUTION: All glass is fragile. Use care when handling glass shades and bulbs.

Preparation

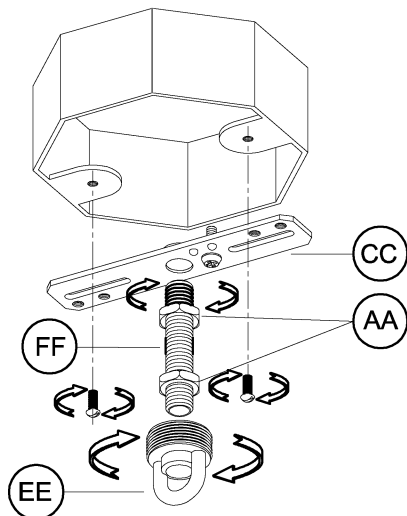
1. Before beginning installation, make sure all parts are included using the contents diagrams from page 1. If any part is missing or damaged, do not attempt to assemble, install or operate the product.
2. Estimated assembly time: 30 minutes.
3. Tools required for assembly (not included): Phillips screwdriver, pliers, wire stripper, safety glasses, electrical tape, ladder.

Care and Maintenance

Shut off main power supply before cleaning product or changing light bulbs. To clean, wipe with damp cloth. Do not use abrasive cleaners or cleaners that contain alcohol.

Assembly Instructions

1

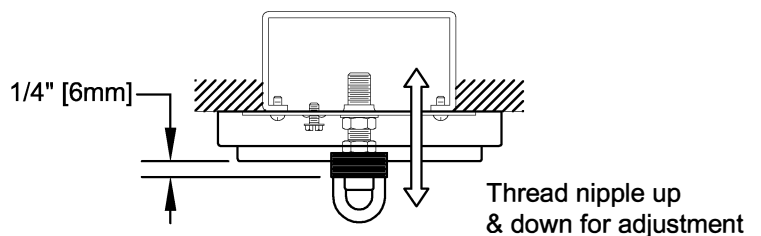
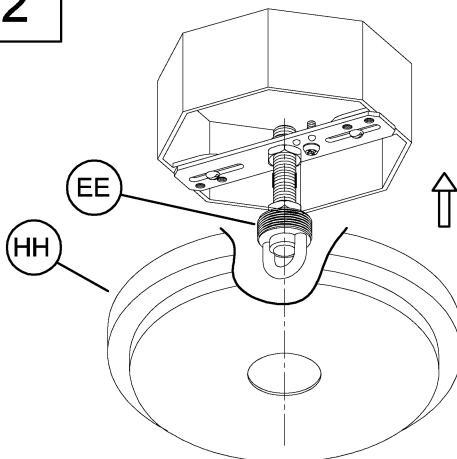


1. Install the chain holder (EE) onto the nipple (FF). Next, loosely thread the hex nuts (AA) onto the nipple (FF) and then thread this assembly onto the mounting strap (CC). Install this assembly to the outlet box using the mounting screws supplied with the outlet box (not included).

2. In this step, you will adjust the depth of the chain holder in relation to the canopy depth.

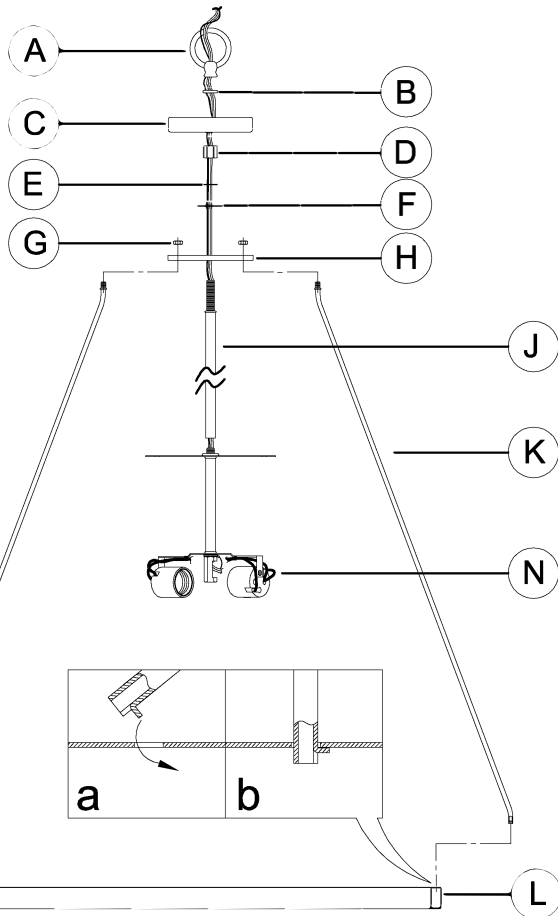
Take the canopy (HH) and slip it over the chain holder (EE). You will need to adjust the chain holder so at least 1/4" of the threaded portion is exposed through the canopy hole. This is done by adjusting the depth of the nipple (FF) on the mounting strap (CC). When the chain holder (EE) is correctly adjusted, remove the canopy (HH) and tighten the top hex nut (AA) against the mounting strap (CC) and the bottom hex nut (AA) against the chain holder (EE).

2



ASSEMBLY INSTRUCTIONS

3



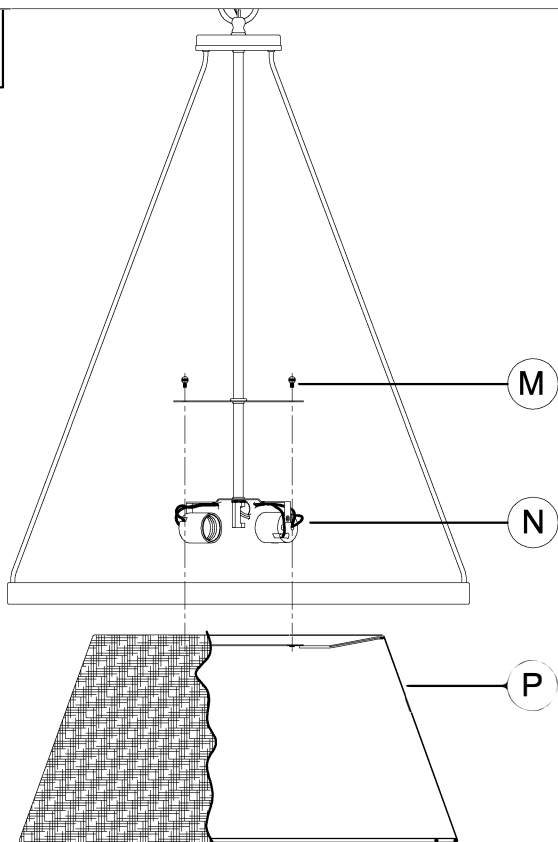
3. Pass the cup (H), flat washer (F) and lock washer (E) onto the stem (J) and use the hex coupling (D) to secure it tightly to the stem (J).

Pass the wires from the socket assembly (N) up through the stem (J). Thread the socket assembly (N) onto the stem (J) and secure it tightly.

Hook the "L" shaped end of the rods (K) into the holes in the frame (L), then pass the threaded end of the rods (K) into the holes in the cup (H). Use the hex nuts (G) to secure the rods (K) tightly to the cup (H).

Pass the wires through the cover (C), beaded nut (B) and chain loop (A). Attach the cover (C) onto the cup (H) using the beaded nut (B) and chain loop (A) to secure it tightly.

4

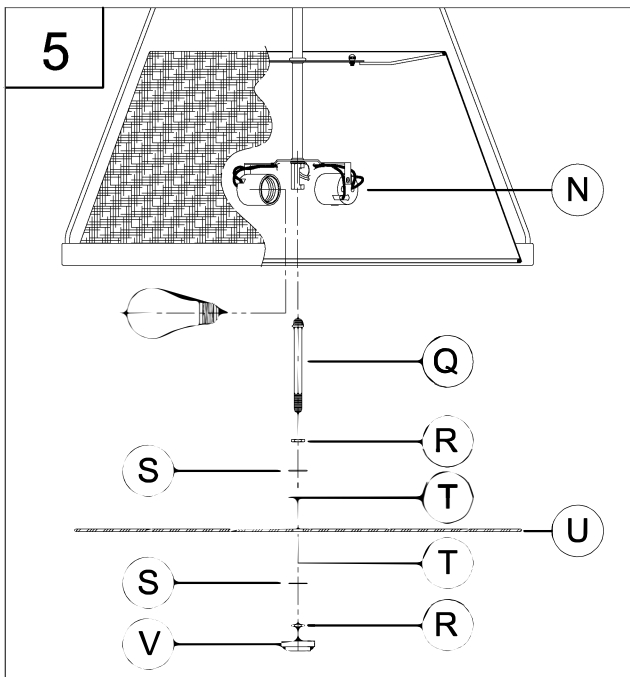


4. Raise the fabric shade (P) up into the fixture (N). Align the 3 holes in the fabric shade top plate with the 3 threaded holes on the top of the socket cluster (N). Use the 3 knurled ball studs (M) to secure the fabric shade (P) to the fixture tightly.

Be sure the vertical seam on the shade is in alignment with one of the rods (K). The elongated slots in the socket assembly plate (N) allow for this adjustment.

ASSEMBLY INSTRUCTIONS

5

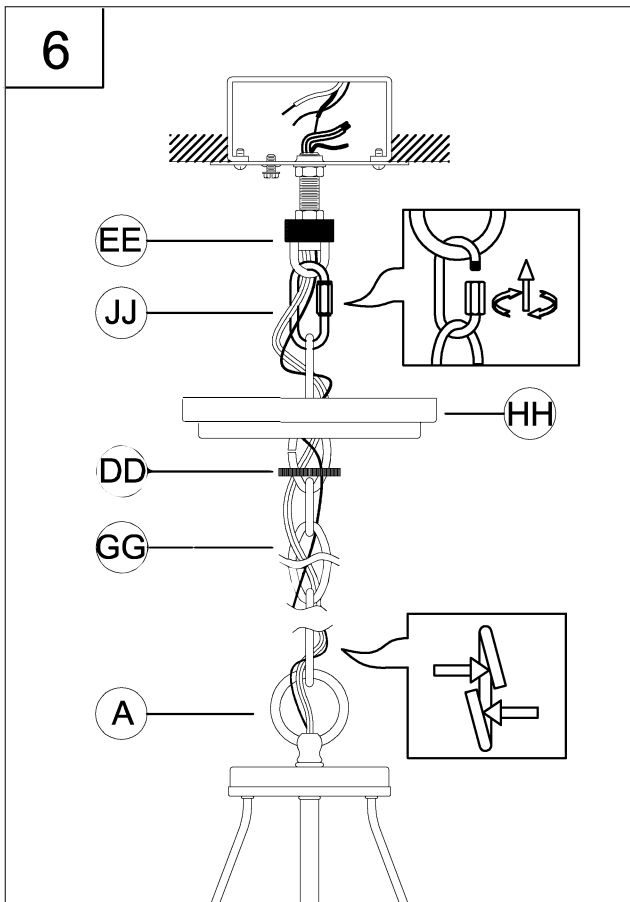


5. Thread the lamps (not included) into the fixture sockets. Use 60-watt MAX incandescent medium base lamp, SBCFL or SBLED.

Thread the beaded end of the stem (Q) onto the hex coupling at the bottom of the socket assembly (N).

Thread a hex nut (R) onto the stem (Q). In the following order, pass one flat washer (S), one rubber washer (T), the glass diffuser (U), one rubber washer (T), flat washer (R) onto the stem (Q). Secure the above parts onto the stem (Q) using a hex nut (R). Adjust the top and bottom hex nuts (R) as needed to make sure the glass diffuser is level with the frame (L). Thread the decorative finial knob (V) onto the stem (Q). Tighten the finial knob (V) tightly in place.

6



NOTE: During this step, determine the hanging length of your fixture by removing chain links (GG) and optionally cutting the electrical and ground wire to length.

Do NOT cut electrical or ground wires until this overall length is determined. Leave **AT LEAST 6 inches MINIMUM** of wire past the chain holder (EE) to allow for easy connections in step 7.

(Chain links can be spread open with 2 pairs of pliers. Twist the split link ends in opposite directions and close by squeezing them back together.)

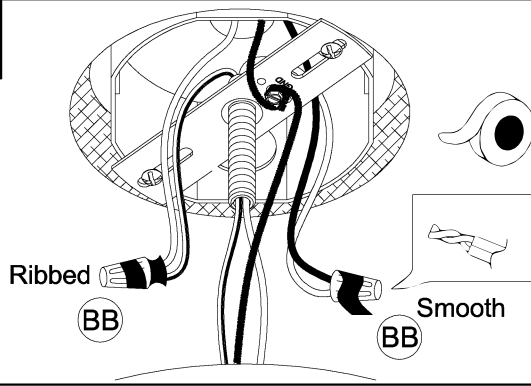
4. Once hanging length is determined, open chain link at one end of chain (GG). Hook the open chain link (GG) onto the chain loop (A). Close the chain link back together with the pliers. Pass the screw collar (DD) and canopy (HH) over the chain.

Hook the other end of the chain (GG) onto the chain holder (EE) using the quick-link (JJ).

Weave the wires through every third chain link (GG). Continue to pass the wires through the screw collar (DD) and canopy (HH). Pass the wire up through the chain holder (EE) and into the junction box.

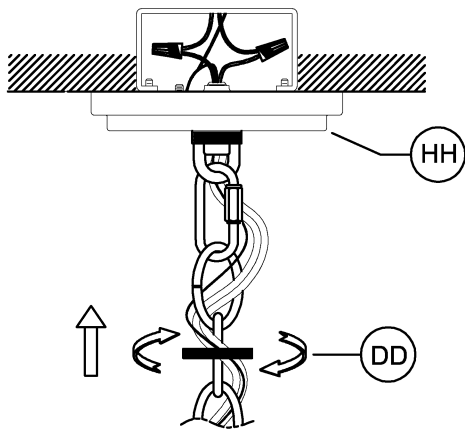
ASSEMBLY INSTRUCTIONS

7



7. Strip 3/8" of insulation from the electrical wire ends. Using wire nuts (BB), connect the RIBBED fixture wire to the WHITE supply wire from the outlet box; connect the SMOOTH fixture wire to the BLACK supply wire. Connect the fixture ground wire and supply ground wire using a wire nut or by fastening to the ground screw on the mounting strap. Push all wire connections into the outlet box.

8



8. Tuck the wires into the junction box and slip the canopy (HH) over the chain holder (EE). Thread the screw collar (DD) onto the chain holder (EE) to secure the canopy tightly to the ceiling.



Questions?

Call our Customer Care Team at 1-855-303-4229

urban ambiance

www.urbanambiance.com