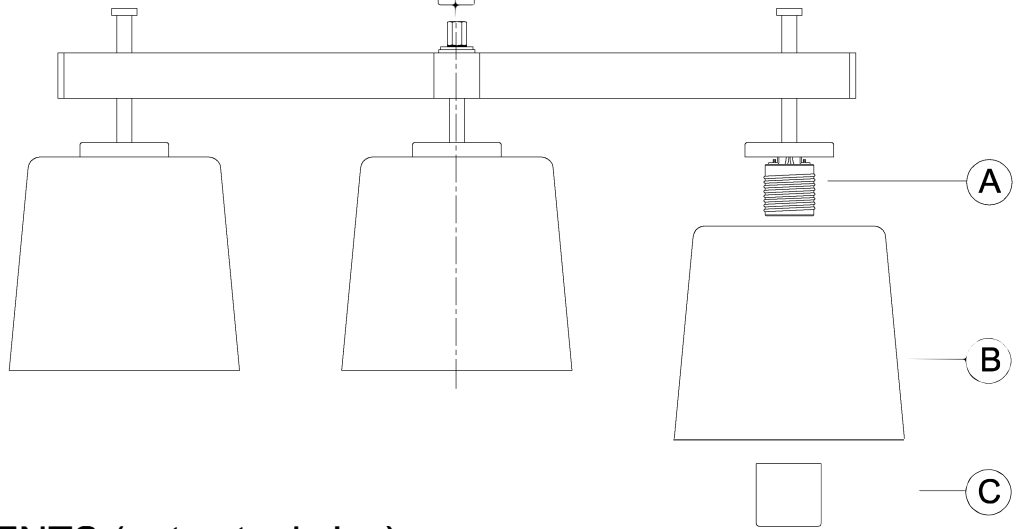
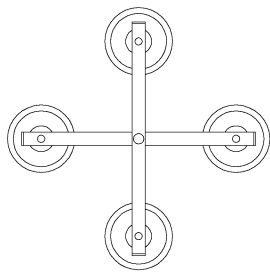
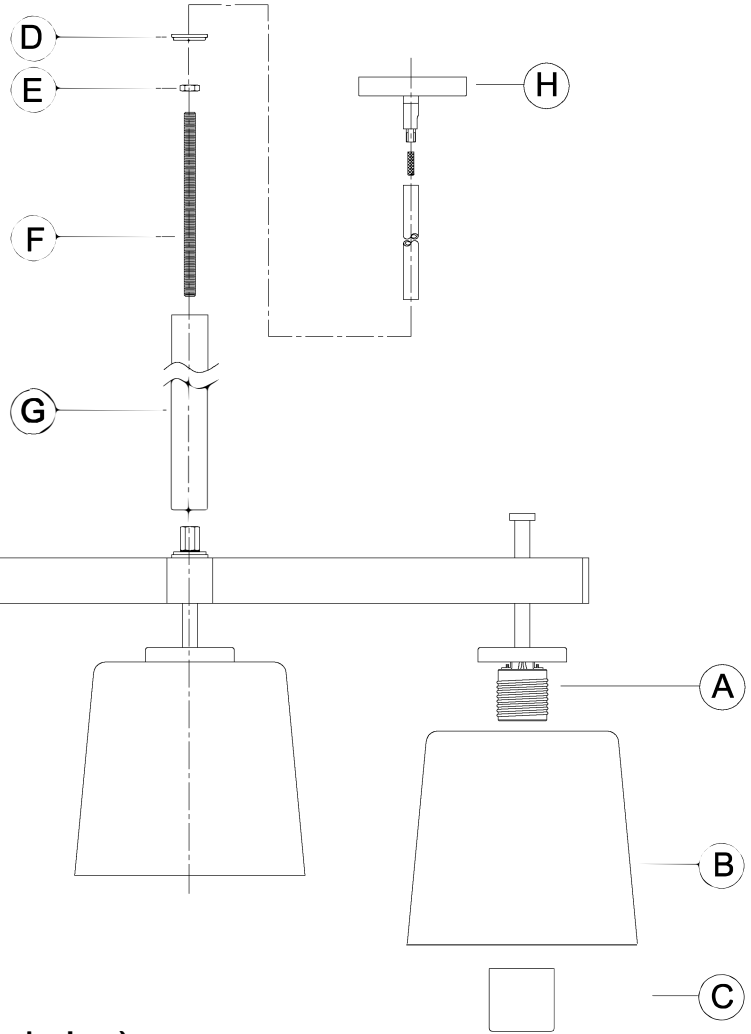


urban ambiance

Installation Instructions: **UHP4384**

PART	DESCRIPTION	QUANTITY
A	Fixture	1
B	Glass Shade	4
C	Socket Ring	4
D	Seat Ring	1
E	Hex Nut	1
F	Stem	1
G	Tube	1
H	Canopy	1



HARDWARE CONTENTS (not actual size)

AA	BB	CC	DD	EE	FF	GG	HH	JJ
Screw (#8-32) Qty:2	Wire Nut Qty:3	Round Mounting Plate Qty:1	Hex Nut (#8-32) Qty:2	Cylinder Nut (#8-32) Qty:2	12" Pipe (1/8IP) Qty:4	6" Pipe (1/8IP) Qty:1	Nipple (1/8IP) Qty:4	Fiberglass Sleeving Qty:1



Questions?

Call our Customer Care Team at 1-855-303-4229

urban ambiance

www.urbanambiance.com



Safety Information

Please read and understand this entire manual before attempting to assemble, operate or install the product.

CAUTION: Read instructions carefully and turn electricity off at main circuit breaker panel before beginning installation.

CAUTION: Risk of fire. Min. 90°C supply conductors. Consult a qualified electrician to ensure correct branch circuit conductor.

WARNING: If any Special Control Devices are used with this fixture, follow instructions carefully to assure full compliance with N.E.C. requirements. If there are any questions, contact a qualified electrical contractor.

CAUTION: All glass is fragile. Use care when handling glass shades and bulbs.

Preparation

1. Before beginning installation, make sure all parts are included using the contents diagrams from page 1. If any part is missing or damaged, do not attempt to assemble, install or operate the product.

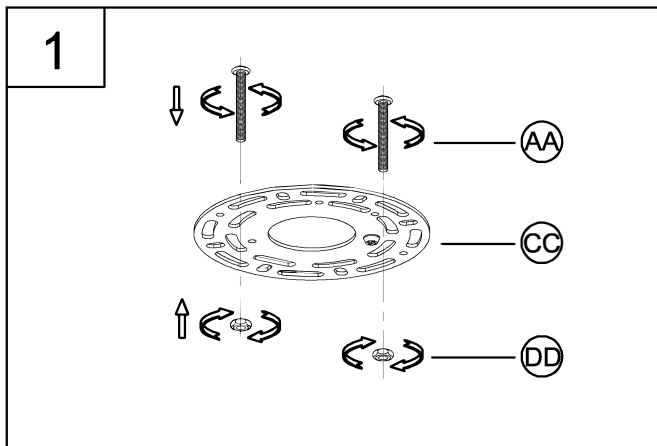
2. Estimated assembly time: 30 minutes.

3. Tools required for assembly (not included): Phillips screwdriver, pliers, wire stripper, safety glasses, electrical tape, ladder.

Care and Maintenance

Shut off main power supply before cleaning product or changing light bulbs. To clean, wipe with damp cloth. Do not use abrasive cleaners or cleaners that contain alcohol.

Assembly Instructions

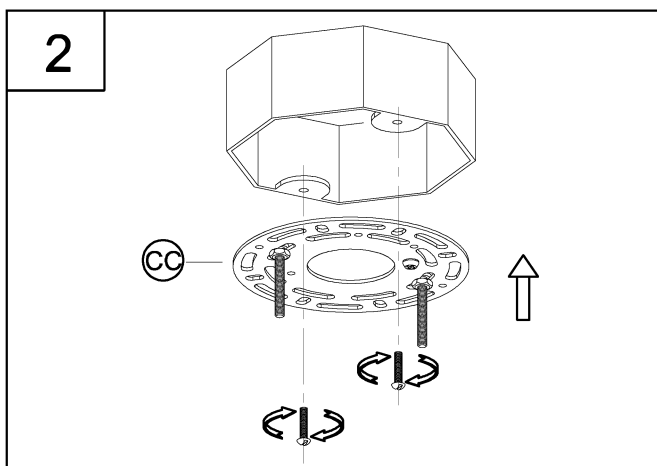


1. Loosely thread the screws (AA) and the hex nuts (DD) onto the round mounting plate (CC) as shown. You now need to adjust the screw length according to the fixture canopy depth.

2. Attach this assembly to the outlet box using the mounting screws supplied with the outlet box (not provided). Tighten securely.

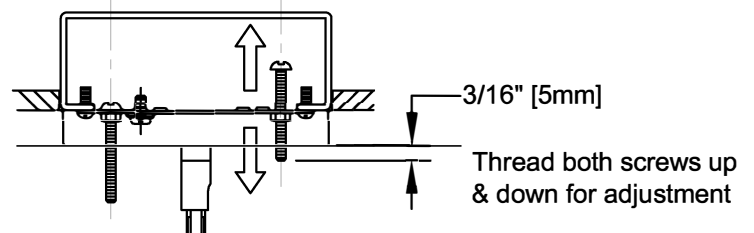
Lift up the fixture canopy (H) and pass the screws (AA) through the two mounting holes in the fixture canopy. While holding the canopy with one hand, thread the screws (AA) in or out of the round mounting plate (CC) until 3/16" of threads are showing. That should be enough to mount the fixture as instructed in step 4.

Next, take the fixture down and go back and tighten the hex nuts (DD) up against the mounting strap (CC). You now should have the correct length of threads for mounting the fixture.



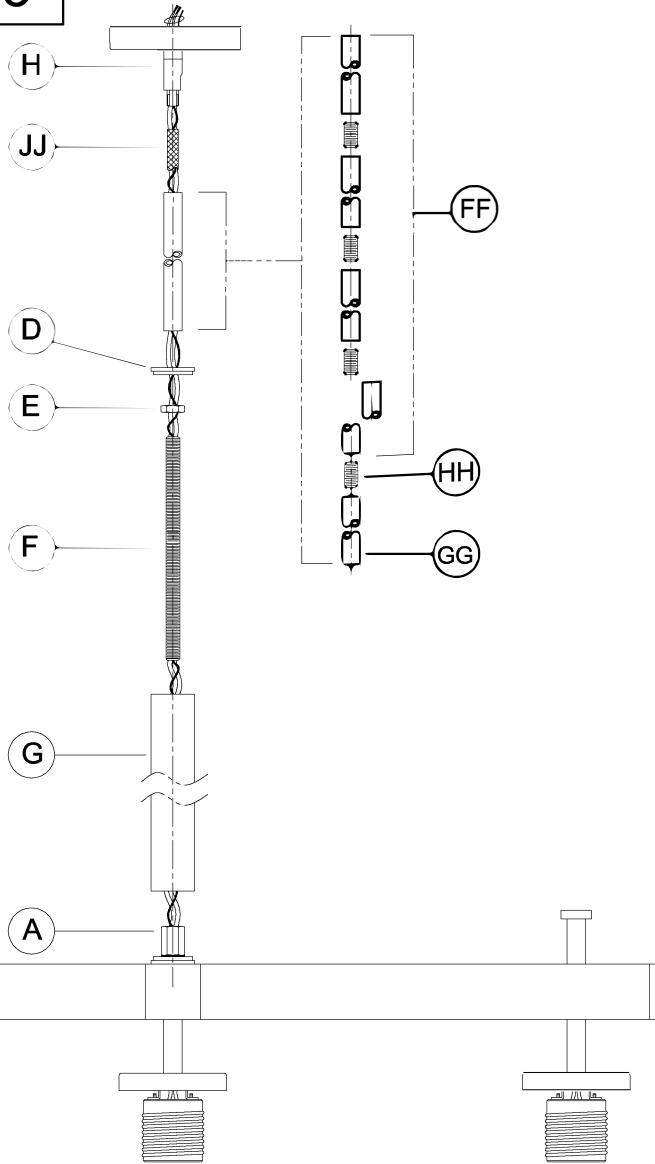
INCORRECT

CORRECT



Assembly Instructions

3



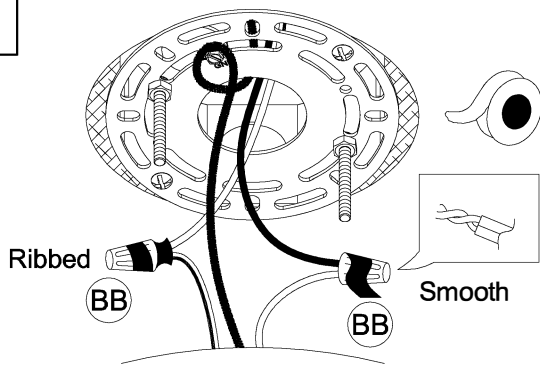
NOTE: During this step, determine the hanging length of your fixture by adding or removing pipes (FF)(GG). The electrical and ground wire may also optionally be cut to length.

Do NOT cut electrical or ground wires until this length is determined. Leave AT LEAST 6 inches MINIMUM of wire past the canopy (H) to allow for easy connections in step 4.

3. Thread hex nut (E) loosely onto stem (F). Pass the wires through stem (F) and thread stem (F) onto fixture, tightening securely. Pass the wires through tube (G) and seat ring (D). Thread the hex nut up the stem (F) until it sits just below the top of the tube (G) when the tube is sitting over the stem (F). With the tube sitting over the stem (F), thread the seat ring (D) onto the stem and tighten securely against the hex nut (E). Adjust the hex nut (E) up or down if necessary to ensure no gap is showing between the tube (G) and the seat ring (D).

Once hanging length is determined, pass wires through pipes (GG) / (FF) and nipples (HH) as shown on the diagram, tightening the first pipe (GG) / (FF) to stem (F) and tightening the remaining pipes (GG) / (FF) to assembly as you go to avoid twisting the wires. Pass wires through fiberglass sleeving (JJ) and up through the canopy (H), tightening the canopy (H) to pipes assembly (FF).

4



4. Strip 3/8" of insulation from the electrical wire ends. Using wire nuts (BB), connect RIBBED fixture wire to the WHITE supply wire from the outlet box; connect the SMOOTH fixture wire to the BLACK supply wire.

Connect the fixture ground wire and supply ground wire using a wire nut or by fastening to the ground screw on the round mounting plate. Push all wire connections into the outlet box.



Questions?

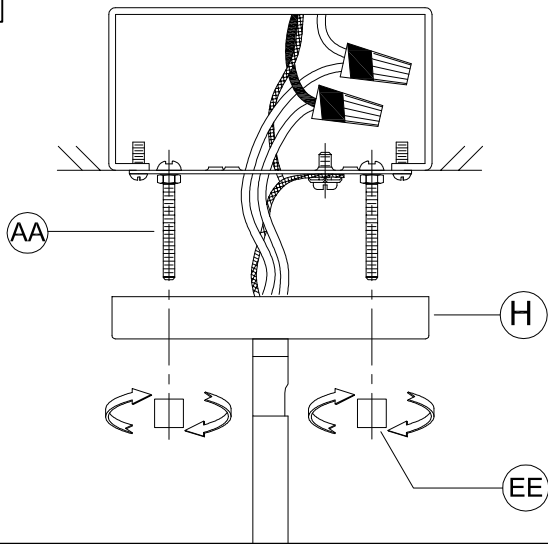
Call our Customer Care Team at 1-855-303-4229

urban ambiance

www.urbanambiance.com

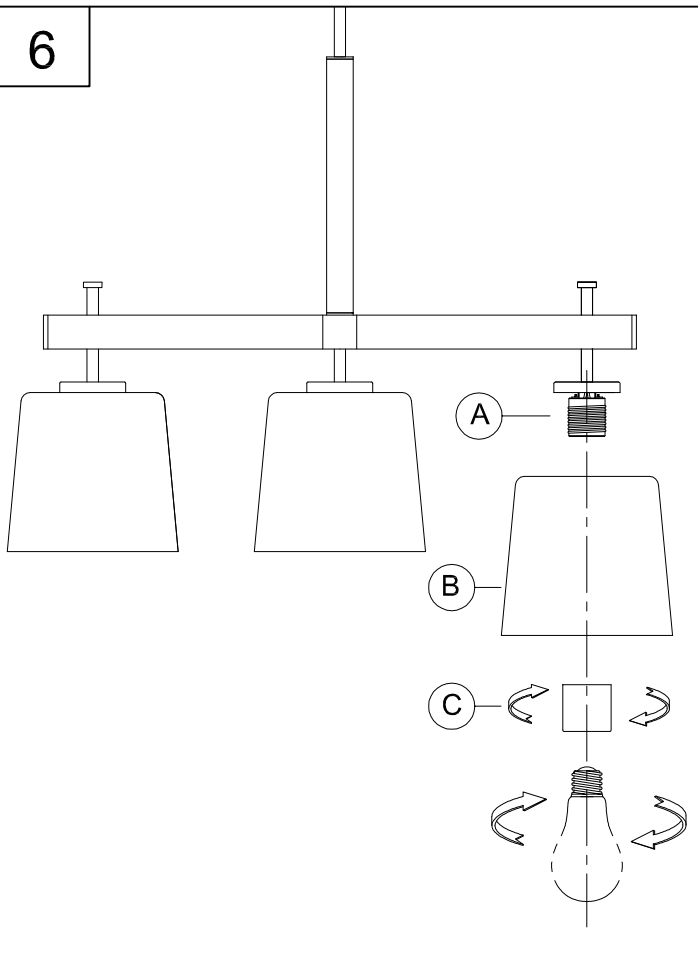
Assembly Instructions

5



5. Pass the screws (AA) through the two holes in the canopy (H). Secure the fixture to the screws (AA) using the two cylinder nuts (EE). Tighten securely.

6



6. Attach the glass shade (B) to the fixture (A) and use the socket ring (C) to secure it tightly.

Thread the lamps (not included) into the fixture sockets. Use 60-watt MAX incandescent medium base lamps, SBCFL or SBLED.