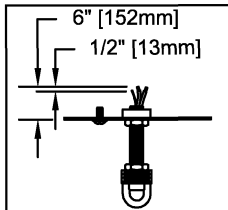
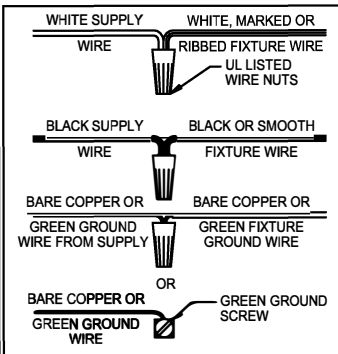


**WARNING** - If any Special Control Devices are used with this Fixture, Follow the Instructions Carefully to assure full compliance with N.E.C. requirements. If there are any questions, contact a Qualified Electrical Contractor.  
**CAUTION** - All glass is fragile, use care when handling Glass component(s) and or Lamp(s).

**CANOPY MOUNTING & WIRE CONNECTION ASSEMBLY STEPS:**

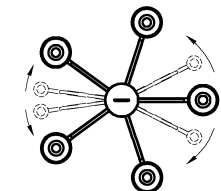


1. D,E → A
2. B,A → C
3. N,Q,H → D (TO LOCK) (À VERROUILLER) (APRETAR)
4. Q → H
5. F → M
6. L → M
7. J,K → L
8. L → H
9. F → L,K,J,H,D
10. F → G
11. J,K → H

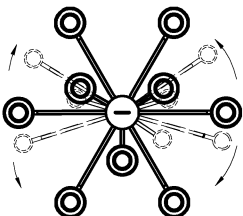


ADJUST HEIGHT WITH "D"  
 N → A (TO LOCK)  
 RÉGLEZ LA HAUTEUR AVEC "D"  
 N → A (À VERROUILLER)  
 AJUSTA LA ALTURA CON "D"  
 N → A (APRETAR)

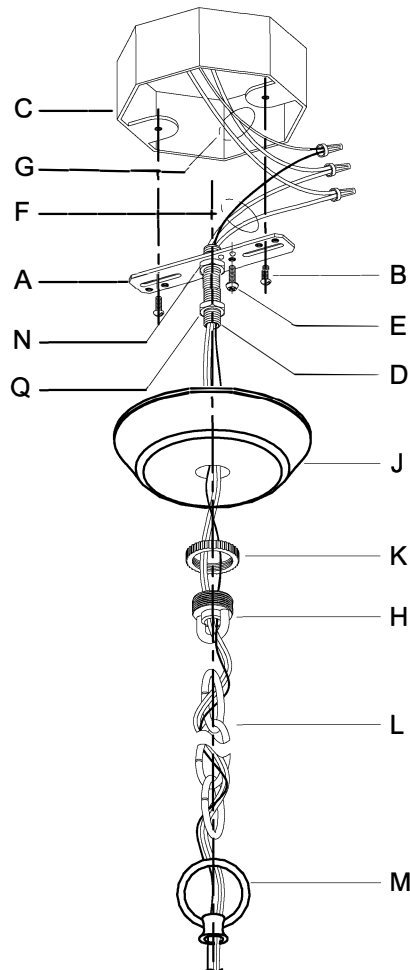
**B, C, G & P**  
 (NOT FURNISHED)  
 (NON FOURNIE)  
 (NO INCLUIDA)



UHP4368  
UHP4369



UHP4370  
UHP4361



**FIXTURE ASSEMBLY STEPS:**

1. F → W,V,U,R,M
2. U,W → V
3. S,T,X → V
4. R → V
5. M → U
6. Y → W
7. Z,AA → BB
8. P → BB

