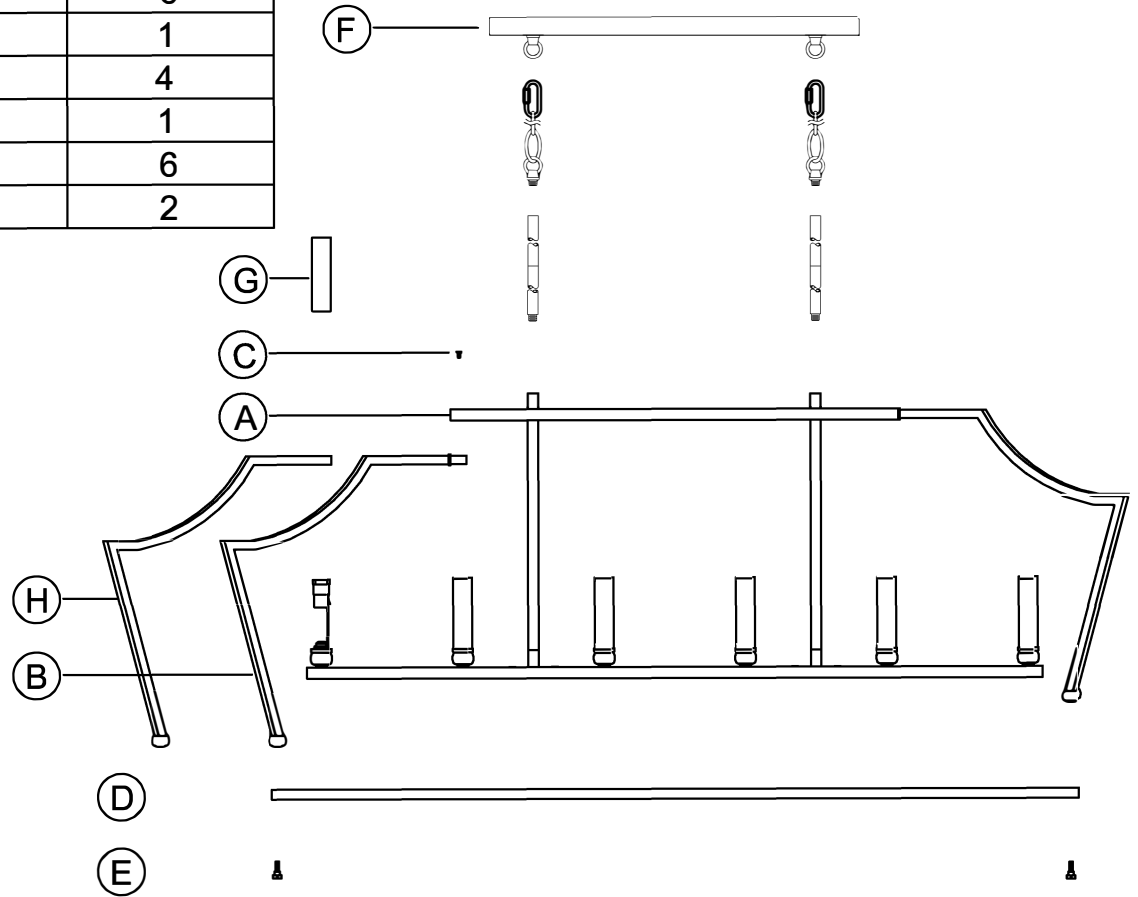












urban ambiance

Installation Instructions: UHP4260

PART	DESCRIPTION	QUANTITY
A	Fixture	1
B	Square Arm Assembly	2
C	Screw	6
D	Frame	1
E	Screw	4
F	Canopy	1
G	Candle Tube	6
H	Square Arm	2



HARDWARE CONTENTS (not actual size)

									
Wire Nut Qty:3	Back plate Qty:1	Cylinder Nut Qty:2	Chain (48") Qty:1	Chain Loop (1/8IP) Qty:2	12" Pipe (1/8IP) Qty:4	Nipple (1/8IP) Qty:4	Quick link Qty:2	Screw #10-32 Qty:2	Toggles Qty:2



Questions?

Call our Customer Care Team at 1-855-303-4229

urban ambiance

www.urbanambiance.com



Safety Information

Please read and understand this entire manual before attempting to assemble, operate or install the product.

CAUTION: Read instructions carefully and turn electricity off at main circuit breaker panel before beginning installation.

CAUTION: Risk of fire. Min. 90°C supply conductors. Consult a qualified electrician to ensure correct branch circuit conductor.

WARNING: If any Special Control Devices are used with this fixture, follow instructions carefully to assure full compliance with N.E.C. requirements. If there are any questions, contact a qualified electrical contractor.

CAUTION: All glass is fragile. Use care when handling glass shades and bulbs.

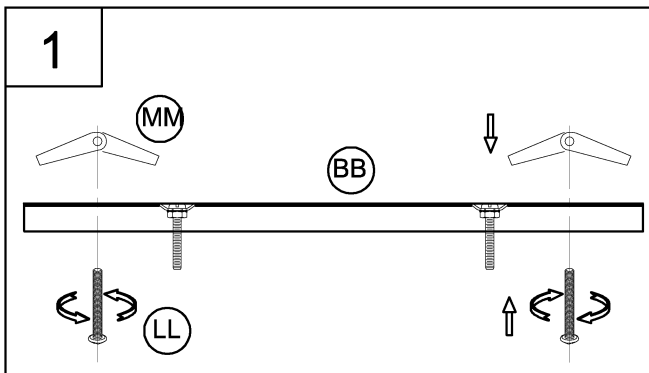
Preparation

1. Before beginning installation, make sure all parts are included using the contents diagrams from page 1. If any part is missing or damaged, do not attempt to assemble, install or operate the product.
2. Estimated assembly time: 30 minutes.
3. Tools required for assembly (not included): Phillips screwdriver, pliers, wire stripper, safety glasses, electrical tape, ladder.

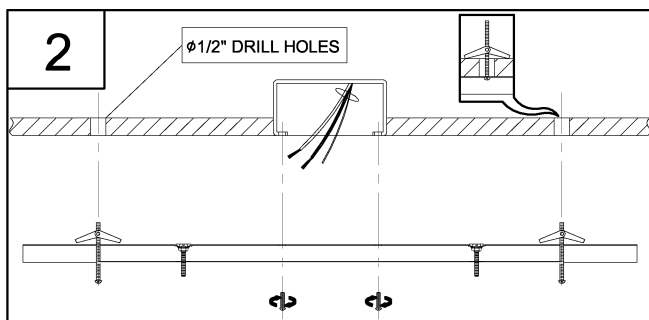
Care and Maintenance

Shut off main power supply before cleaning product or changing light bulbs. To clean, wipe with damp cloth. Do not use abrasive cleaners or cleaners that contain alcohol.

Assembly Instructions



1. Loosely thread the screws (LL) and the toggles (MM) onto the back plate (BB).



2. Line up the holes in the back plate (BB) with the holes in the junction box. Use a pencil to mark the locations of the two mounting holes. Remove the back plate from the wall.

Drill (2) Ø1/2 in. mounting holes in the wall for the toggles (MM). Line up the holes in the back plate (BB) with the drilled holes, press toggles (MM) into the mounting holes drilled and use screws (LL) securing tightly. Then use the mounting screws supplied with the junction box (not included) to secure the back plate (BB) to the junction box.



Questions?

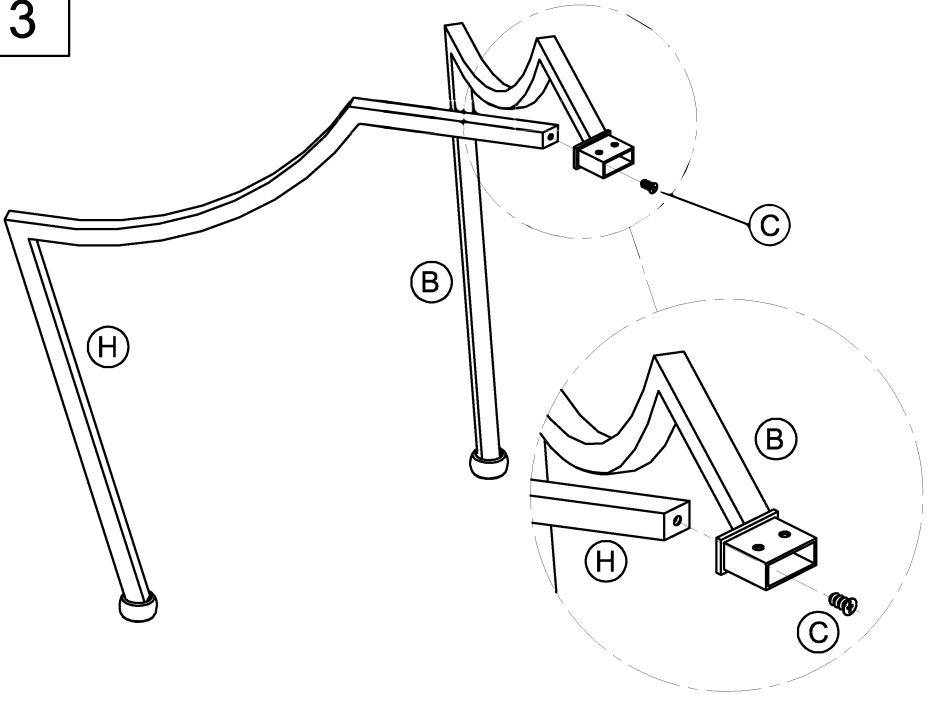
Call our Customer Care Team at 1-855-303-4229

urban ambiance

www.urbanambiance.com

Assembly Instructions

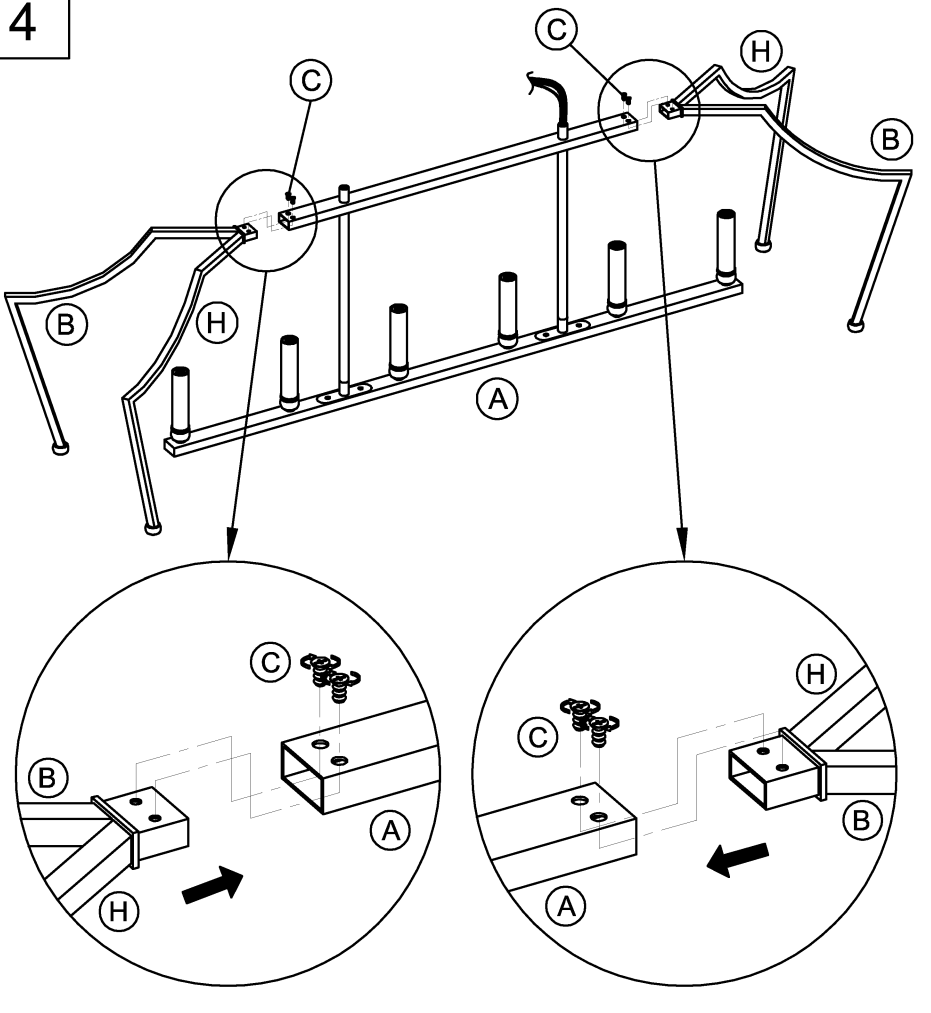
3



3. Attach the unassembled square arm (H) to square arm assembly (B) using the screw (C) to secure it tightly.

Repeat this step for the other arm assembly.

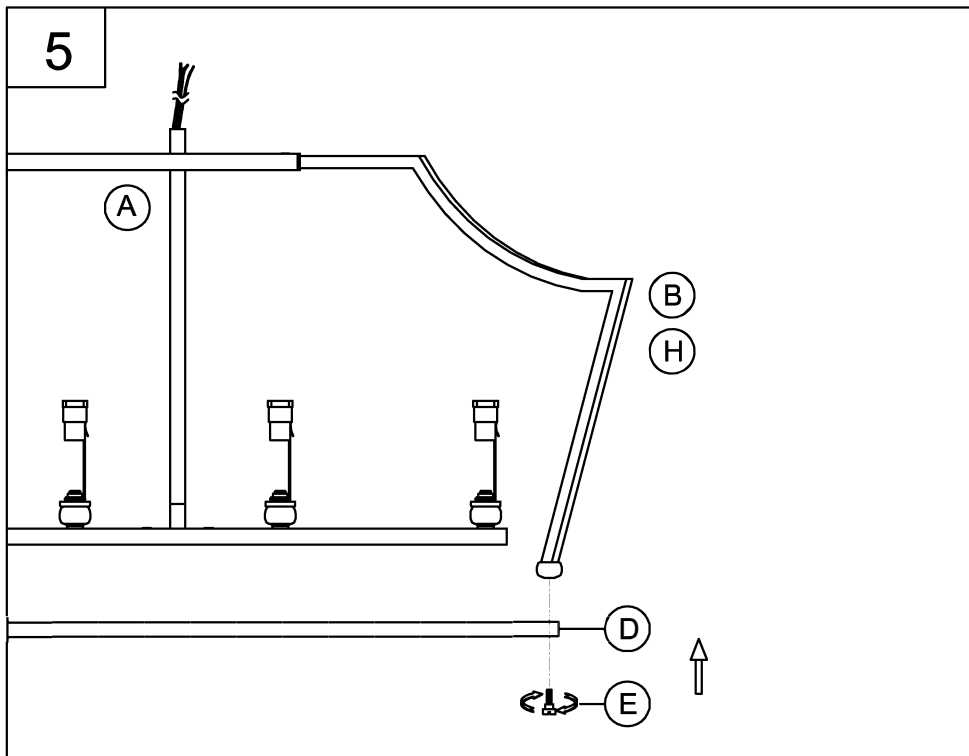
4



4. Attach the square arm assembly (H, B) to Fixture (A) using the screws (C) to secure it tightly together.

Assembly Instructions

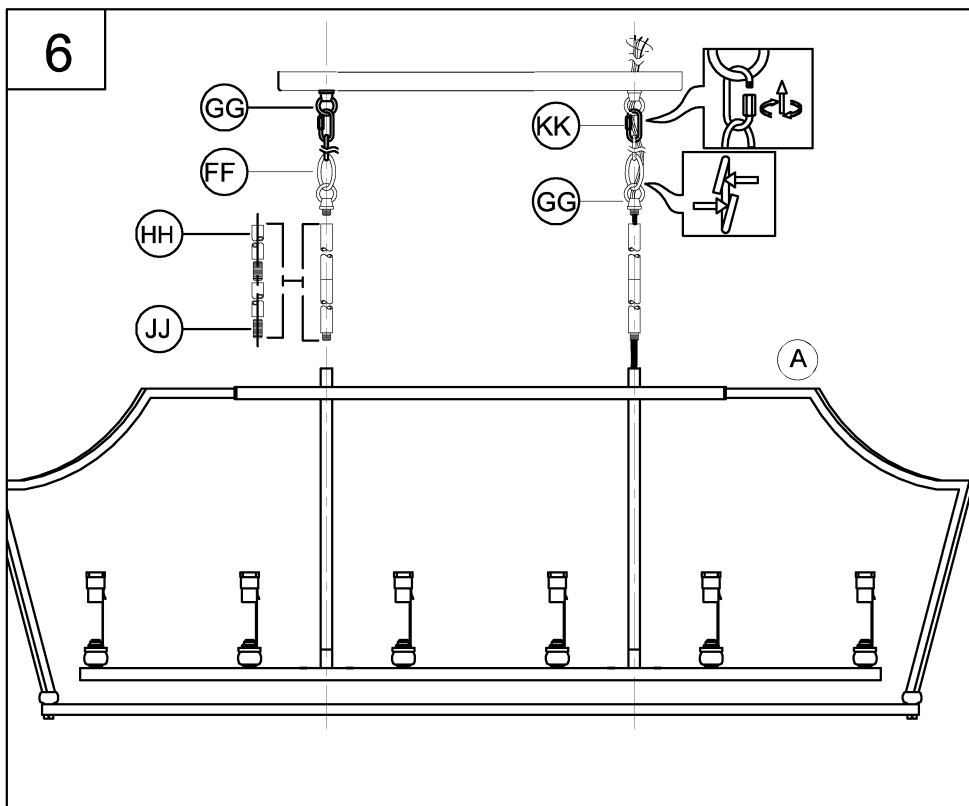
5



5. Attach the frame (D) to the square arm (B) and square arm (H) using the screws (E) to secure it tightly.

NOTE: During this step, determine the hanging length of your fixture by adding or removing stems and chain links. The electrical and ground wire may also optionally be cut to length.

6



Do NOT cut electrical or ground wires until this length is determined. Leave AT LEAST 6 inches MINIMUM of wire past the canopy chain loop (GG) to allow for easy connections in step 6.

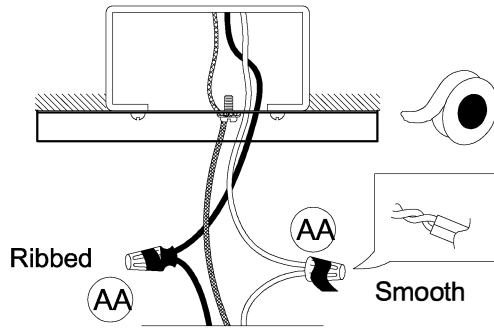
(Chain links can be spread open with 2 pairs of pliers. Twist the split link ends in opposite directions and close by squeezing them back together.)

6. Once hanging length is determined, pass wires through stems (HH) and nipples (JJ), tightening stems to assembly as you go to avoid twisting the wires. Pass wires through chain loop (GG) and tighten chain loop (GG) to stem assembly (HH).

Open chain link at one end of chain (FF). Hook the open one link of chain to chain loop (GG), close the chain link. The other end of chain to the canopy chain loop (GG) and using quick link (KK) to secure tightly. Continue to pass the wires through the chain links (FF) / quick link (KK) and up through the canopy loop (GG).

Assembly Instructions

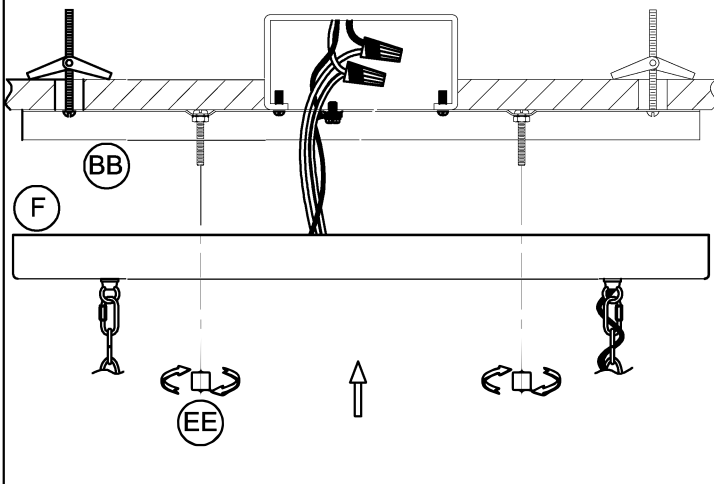
7



7. Strip 3/8" of insulation from the electrical wire ends. Using wire nuts (AA), connect RIBBED fixture wire to the WHITE supply wire from the outlet box; connect the SMOOTH fixture wire to the BLACK supply wire.

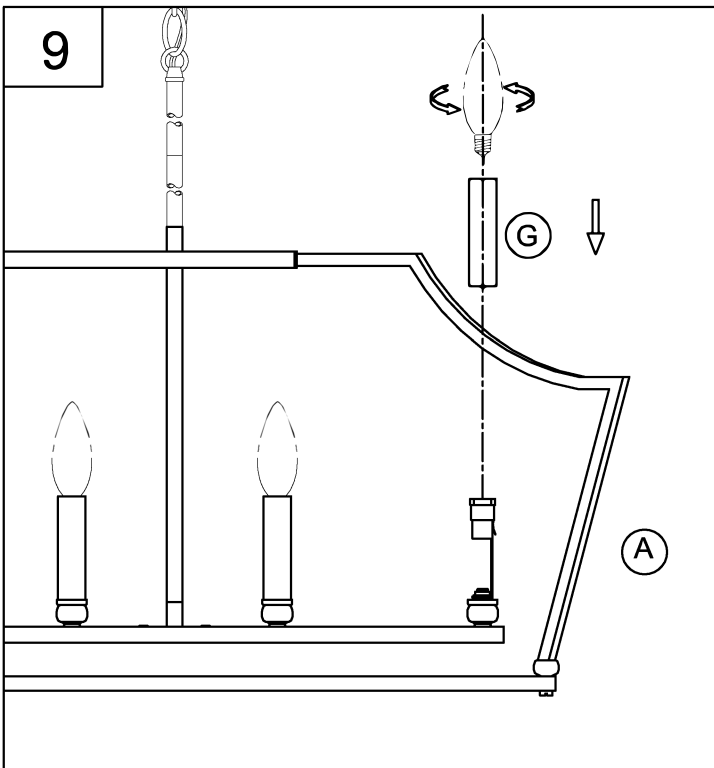
Connect the fixture ground wire and supply ground wire using a wire nut or by fastening to the ground screw on the round mounting plate. Push all wire connections into the outlet box.

8



8. Pass the back plate screws (BB) through the two holes in the canopy (F). Secure the fixture (A) to the screws using the two cylinder nuts (EE). Tighten securely.

9



9. Place the candle tube (G) onto the fixture sockets.

Thread the lamps (not included) into the fixture sockets. Use 60-watt MAX incandescent candelabra base, SBCFL or SBLED.