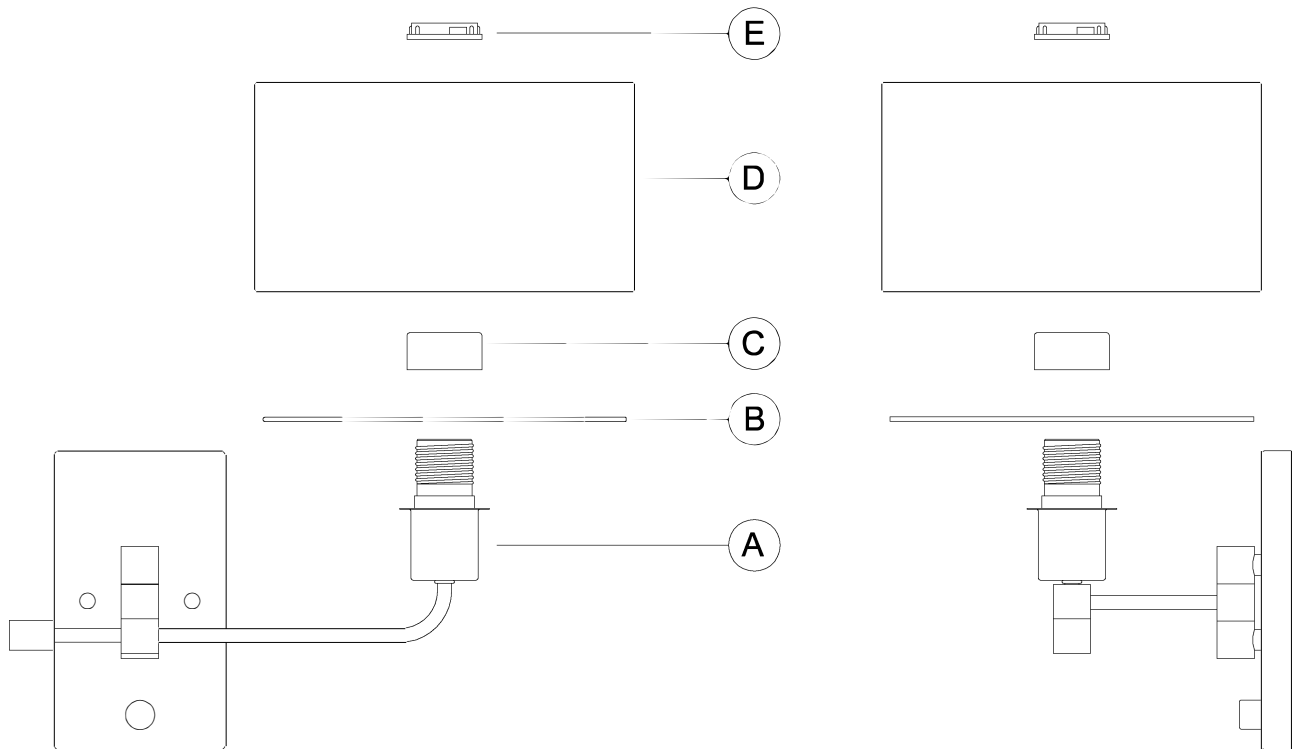


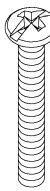
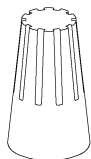
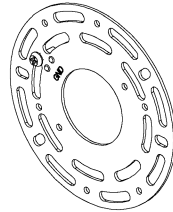

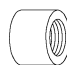
urban ambiance

Installation Instructions: **UHP4130**

| PART | DESCRIPTION | QUANTITY |
|------|----------------|----------|
| A | Fixture | 1 |
| B | Glass Diffuser | 1 |
| C | Socket Cover | 1 |
| D | Fabric Shade | 1 |
| E | Socket Ring | 1 |



HARDWARE CONTENTS (not actual size)

| | | | | |
|--|---|---|---|---|
| <p>AA</p>  <p>Screw (#8-32) Qty:2</p> | <p>BB</p>  <p>Wire nut Qty:3</p> | <p>CC</p>  <p>Round Mounting Plate Qty:1</p> | <p>DD</p>  <p>Hex nut (#8-32) Qty:2</p> | <p>EE</p>  <p>Cylinder nut (#8-32) Qty:2</p> |
|--|---|---|---|---|



Questions?

Call our Customer Care Team at 1-855-303-4229

urban ambiance

www.urbanambiance.com



Safety Information

Please read and understand this entire manual before attempting to assemble, operate or install the product.

CAUTION: Read instructions carefully and turn electricity off at main circuit breaker panel before beginning installation.

CAUTION: Risk of fire. Min. 90°C supply conductors. Consult a qualified electrician to ensure correct branch circuit conductor.

WARNING: If any Special Control Devices are used with this fixture, follow instructions carefully to assure full compliance with N.E.C. requirements. If there are any questions, contact a qualified electrical contractor.

CAUTION: All glass is fragile. Use care when handling glass shades and bulbs.

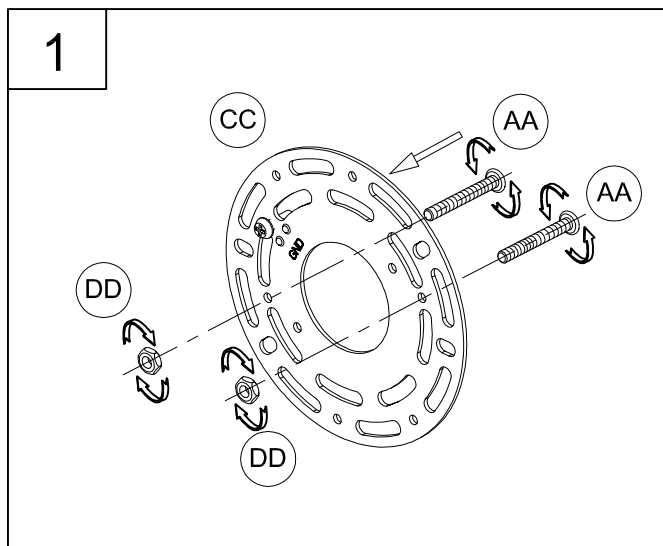
Preparation

1. Before beginning installation, make sure all parts are included using the contents diagrams from page 1. If any part is missing or damaged, do not attempt to assemble, install or operate the product.
2. Estimated assembly time: 30 minutes.
3. Tools required for assembly (not included): Phillips screwdriver, pliers, wire stripper, safety glasses, electrical tape, ladder.

Care and Maintenance

Shut off main power supply before cleaning product or changing light bulbs. To clean, wipe with damp cloth. Do not use abrasive cleaners or cleaners that contain alcohol.

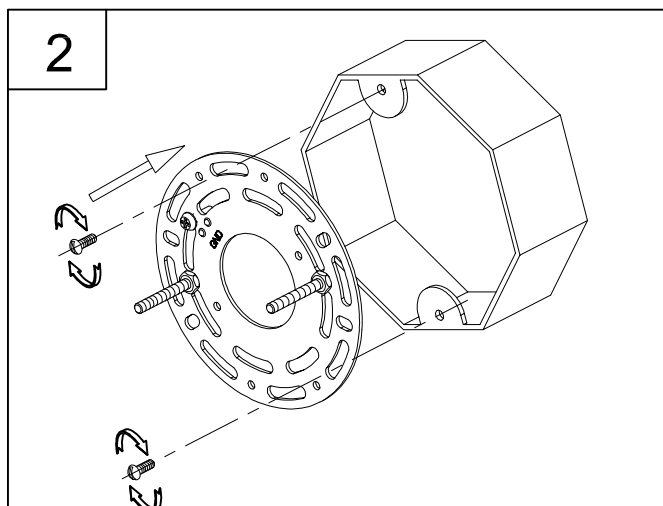
Assembly Instructions



1. Screw screw (AA) onto round mounting plate (CC) and use hex nut (DD) to secure it tight.

Hardware Used

| | | | |
|----|----------------------|--|----|
| AA | Screw | | X2 |
| CC | Round Mounting Plate | | X1 |
| DD | Hex nut | | X2 |



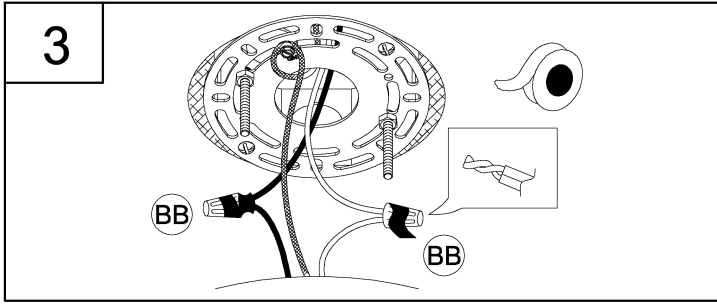
2. Attach assembled parts from Step 1 onto outlet box using the mounting screws supplied with the outlet box (not included).

Assembly Instructions

3. Strip 3/8" of insulation from the electrical wire ends. Using wire nuts (BB), connect white fixture wire to the white supply wire from the outlet box; connect the black fixture wire to the black supply wire.

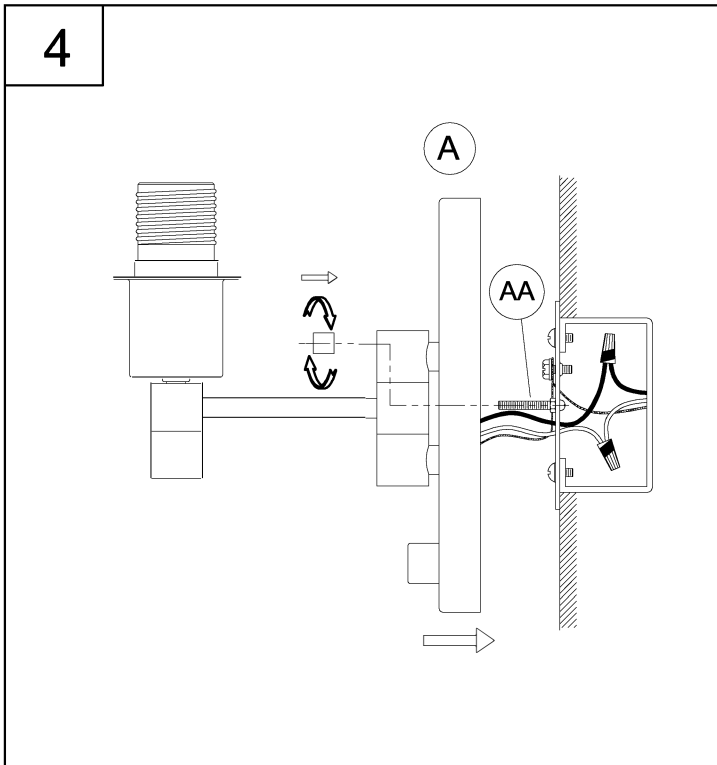
Connect the fixture ground wire and supply ground wire using a wire nut or by fastening to the ground screw on the round mounting plate. Push all wire connections into the outlet box.

BB Wire nut X3

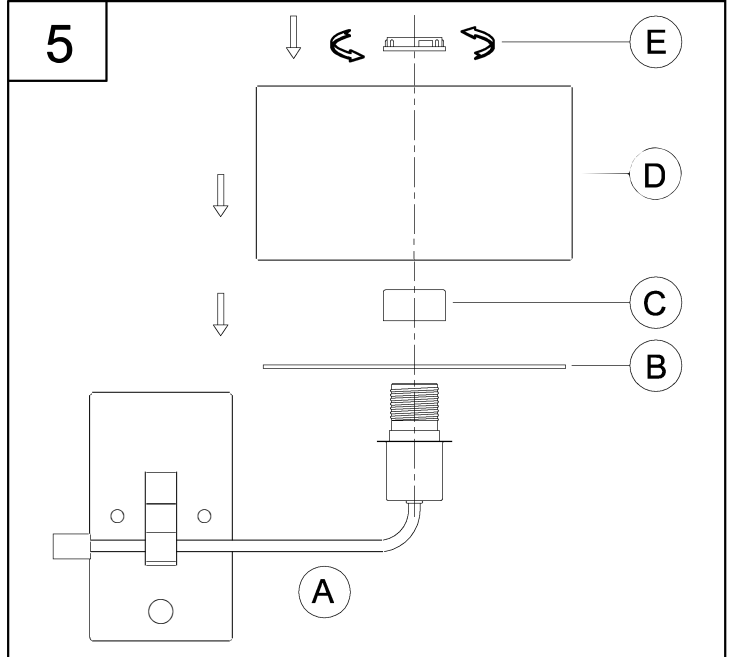


4. Attach fixture (A) to screws (AA) using cylinder nuts (EE). Secure tightly.

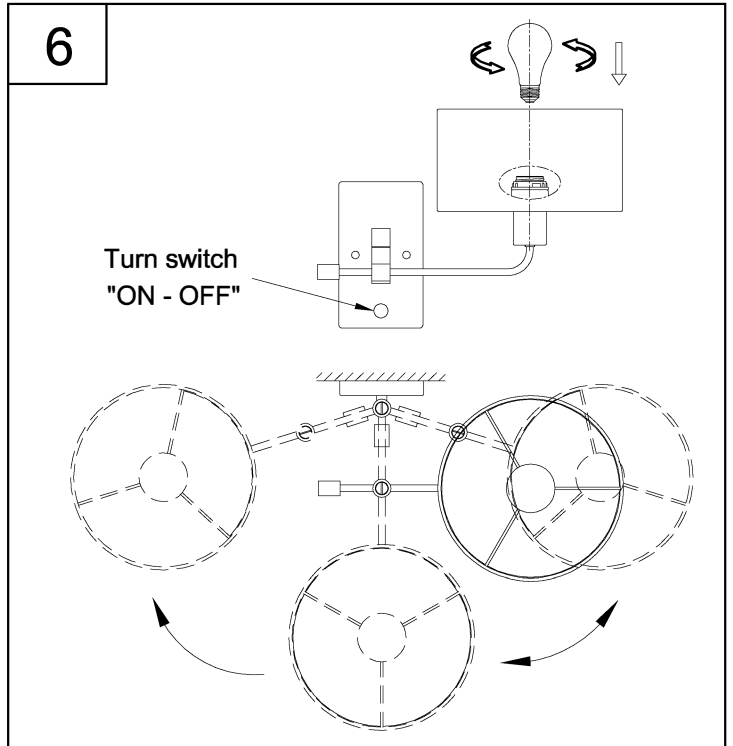
EE Cylinder nut X2



5. Attach glass diffuser (B) / socket cover (D) and fabric shade (C) into fixture (A) and using socket ring (E) to secure tight.



6. Screw lamp (not included) into fixture socket. Use 60-watt MAX incandescent medium base lamp, SBCFL or SBLED. Adjust the fixture arm and turn ON the fixture switch.



Questions?

Call our Customer Care Team at 1-855-303-4229

urban ambiance

www.urbanambiance.com