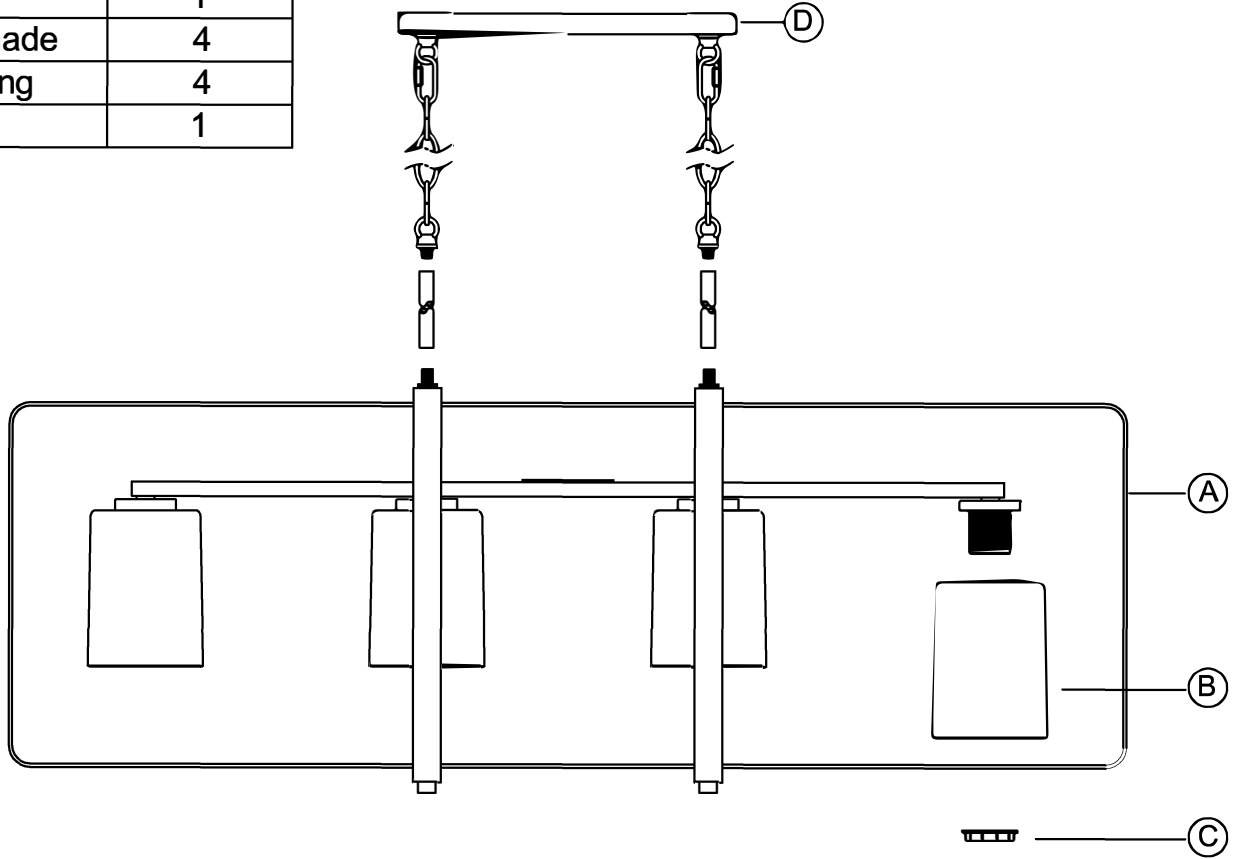


# urban ambiance

Installation Instructions: **UHP4101**

PART	DESCRIPTION	QUANTITY
A	Fixture	1
B	Glass Shade	4
C	Socket ring	4
D	Canopy	1



## HARDWARE CONTENTS (not actual size)

<b>AA</b>	<b>BB</b>	<b>CC</b>	<b>DD</b>	<b>EE</b>	<b>FF</b>	<b>GG</b>	<b>HH</b>	<b>JJ</b>	<b>KK</b>	<b>LL</b>
Nipple (1/8IP)	Wire connector	Mounting plate (1/8IP)	Hex nut (1/8IP)	Screw (#8)	Flat washer	Finial (1/8IP)	Chain (48')	Quick link	12" Pipe (1/8IP)	Chain loop
Qty:1	Qty:3	Qty:1	Qty:2	Qty:1	Qty:1	Qty:1	Qty:2	Qty:2	Qty:2	Qty:2



### Questions?

Call our Customer Care Team at 1-855-303-4229

urban ambiance

[www.urbanambiance.com](http://www.urbanambiance.com)



## SAFETY INFORMATION

Please read and understand this entire manual before attempting to assemble, operate or install the product.  
**CAUTION:** Read instructions carefully and turn electricity off at main circuit breaker panel before beginning installation.

**CAUTION:** Risk of fire. Min. 90°C supply conductors. Consult a qualified electrician to ensure correct branch circuit conductor

**WARNING:** If any Special Control Devices are used with this Fixture, follow instructions carefully to assure full compliance with N.E.C. requirements. If there are any questions, contact a qualified electrical contractor.

**CAUTION:** All glass is fragile, use care when handling glass shades and bulbs.

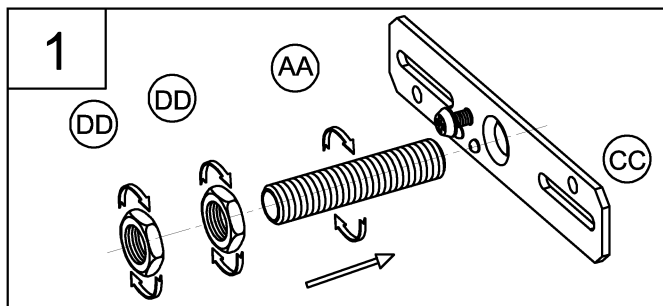
## PREPARATION

1. Before beginning installation, make sure all parts are included using the contents diagrams from page 1. If any part is missing or damage, do not attempt to assemble, install or operate the product.
2. Estimated assembly time: 30 minutes.
3. Tools required for assembly (not included): Phillips screwdriver, pliers, wire stripper, safety glasses, electrical tape, ladder, drill.

## CARE AND MAINTENANCE

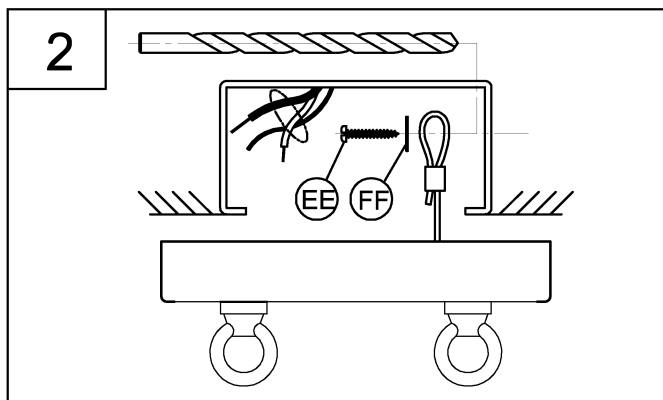
Shut off main power supply before cleaning product or changing light bulbs. To clean, wipe with damp cloth. Do not use abrasive cleaners or cleaners that contain alcohol.

## ASSEMBLY INSTRUCTIONS



1. Screw nipple (AA) and hex nut (DD) onto mounting plate (CC)

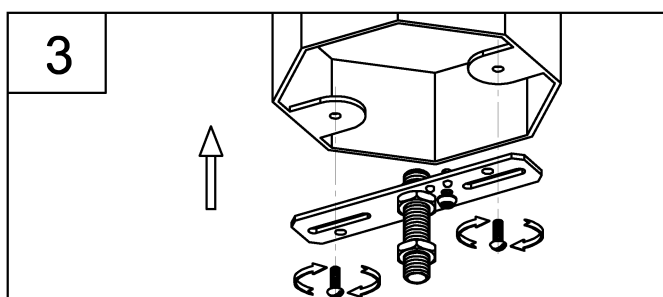
(AA) Nipple		X1
(DD) Hex nut		X2
(CC) Mounting plate		X1



2. Use a drill with a #29 (Ø.136) (3.5mm) bit to create mounting holes in the outlet box. Next Attach flat washer (FF) and support cable onto outlet box using screw (EE) to secure tightly.

### Hardware Used

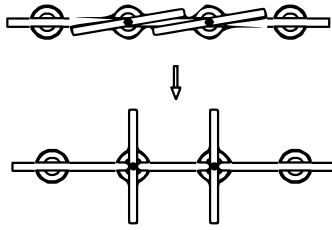
(EE) Screw		X1
(FF) Flat washer		X1



3. Attach assembled parts from Step 1 onto outlet box using the mounting screws supplied with the outlet box (not included).

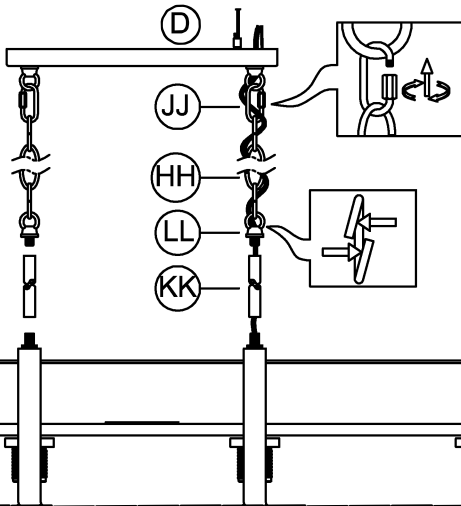
# ASSEMBLY INSTRUCTIONS

4





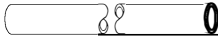

4. Equally adjust the arms by carefully turning them out from the center.

5



5. Pass the wire through the pipe (KK) \ chain loop (LL); Weave wires through chain (HH) / quick link (JJ) and canopy (D). Attach one end of pipe (KK) onto to fixture (A) and other end to the chain loop (LL). Open one link of chain and attach it to chain loop, close the chain link. The other end lock to chain loop of canopy use quick link (JJ) to secure tightly.

NOTE: During this step, you may choose to shorten the chain and electrical/ground wires.

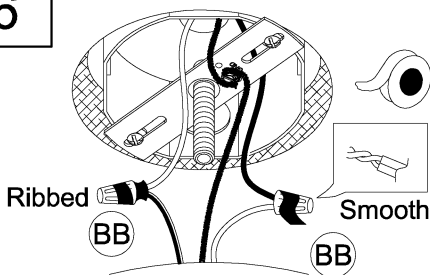
(HH)	Chain		X2
(JJ)	Quick link		X2
(KK)	pipe		X2
(LL)	Chain loop		X2

6. Strip  $\frac{3}{8}$  " of insulation from the electrical wire ends. Using wire connector (BB), connect RIBBED fixture wire to the WHITE supply wire from the outlet box; connect the SMOOTH fixture wire to the BLACK supply wire.

Connect the fixture ground wire and supply ground wire using a wire nut or by fastening to the ground screw on the mounting strap. Push all wire connections into the outlet box.

(BB) Wire connector  X3

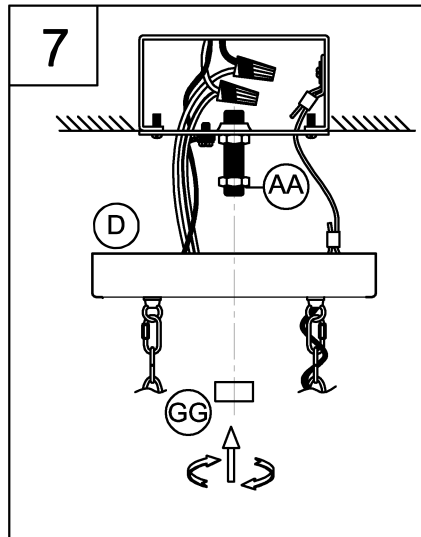
6



7. Attach canopy (D) onto nipple (AA) and use finial (GG) to secure the canopy tightly to the ceiling.

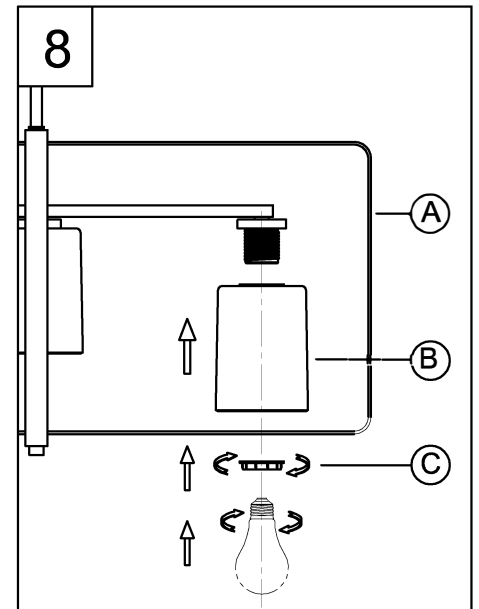
(GG) Finial  X1

7



8. Attach glass shade (B) and socket ring (C) on to fixture (A) secure tightly. Screw lamp (not included) into fixture socket. Use 100-watt MAX incandescent medium base lamp, SBCFL or SBLED.

8



**Questions?**

Call our Customer Care Team at 1-855-303-4229

urban ambiance

[www.urbanambiance.com](http://www.urbanambiance.com)