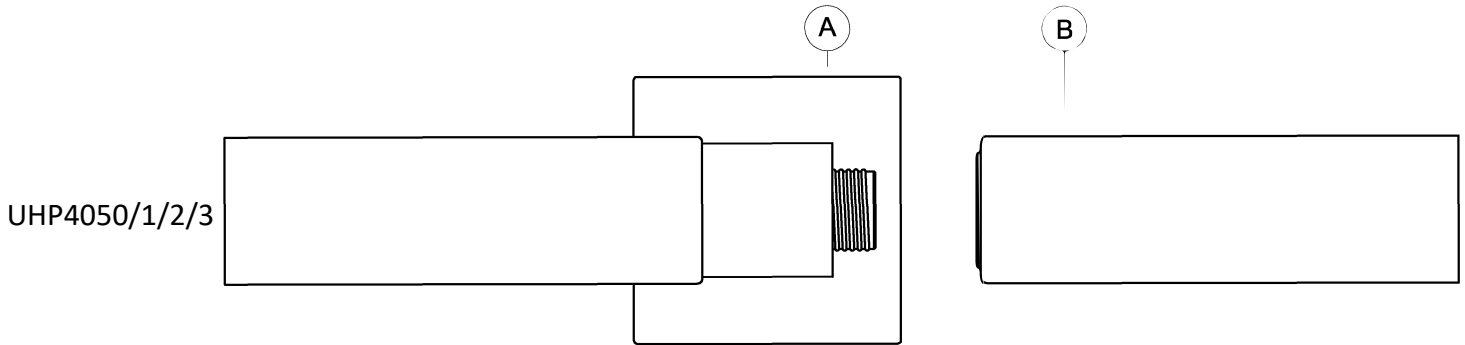
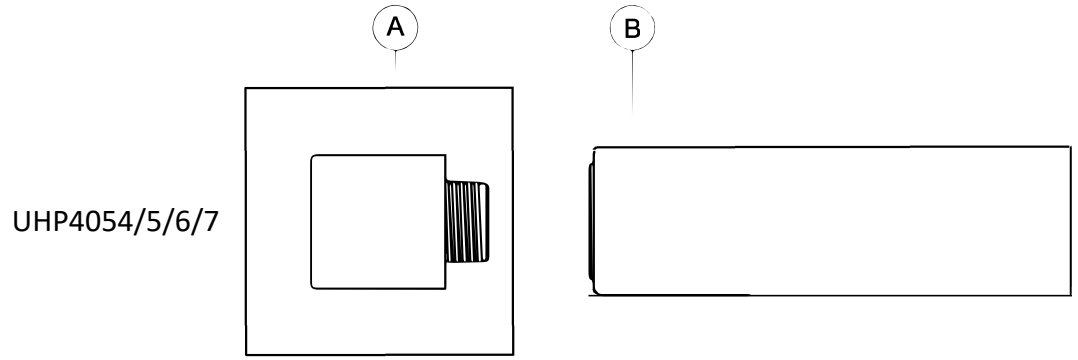
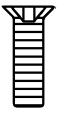
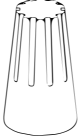



| PART | DESCRIPTION | QUANTITY | |
|------|-------------|---------------|---------------|
| | | UHP4050/1/2/3 | UHP4054/5/6/7 |
| A | Fixture | 1 | 1 |
| B | Glass shade | 1 | 2 |



HARDWARE CONTENTS (not actual size)

| | | |
|--|---|---|
| <p>AA</p>  <p>Screw (#8-32) Qty:2</p> | <p>BB</p>  <p>Wire nut Qty:3</p> | <p>CC</p>  <p>Round back plate Qty:1</p> |
|--|---|---|



Questions?

Call our Customer Care Team at 1-855-303-4229



Safety Information

Please read and understand this entire manual before attempting to assemble, operate or install the product.

CAUTION: Read instructions carefully and turn electricity off at main circuit breaker panel before beginning installation.

CAUTION: Risk of fire. Min. 90°C supply conductors. Consult a qualified electrician to ensure correct branch circuit conductor.

WARNING: If any Special Control Devices are used with this fixture, follow instructions carefully to assure full compliance with N.E.C. requirements. If there are any questions, contact a qualified electrical contractor.

CAUTION: All glass is fragile. Use care when handling glass shades and bulbs.

Preparation

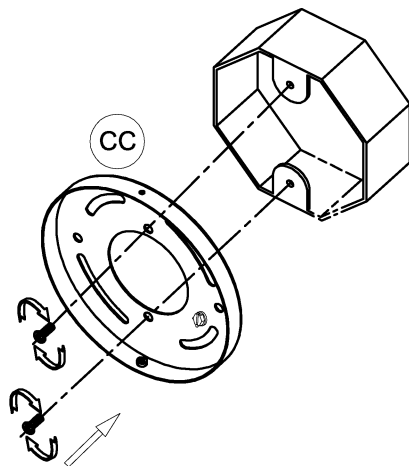
1. Before beginning installation, make sure all parts are included using the contents diagrams from page 1. If any part is missing or damaged, do not attempt to assemble, install or operate the product.
2. Estimated assembly time: 30 minutes.
3. Tools required for assembly (not included): Phillips screwdriver, pliers, wire stripper, safety glasses, electrical tape, ladder.

Care and Maintenance

Shut off main power supply before cleaning product or changing light bulbs. To clean, wipe with damp cloth. Do not use abrasive cleaners or cleaners that contain alcohol.

Assembly Instructions

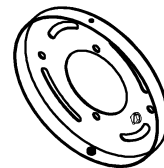
1



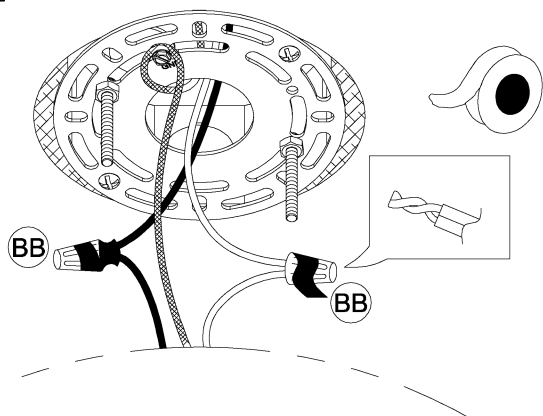
1. Attach round back plate (CC) to the outlet box and using the mounting screws to secure it tight (not included).

Hardware Used

CC Round back plate X1



2



2. Strip 3/8" of insulation from the electrical wire ends. Using wire nuts (BB), connect white fixture wire to the white supply wire from the outlet box; connect the black fixture wire to the black supply wire.

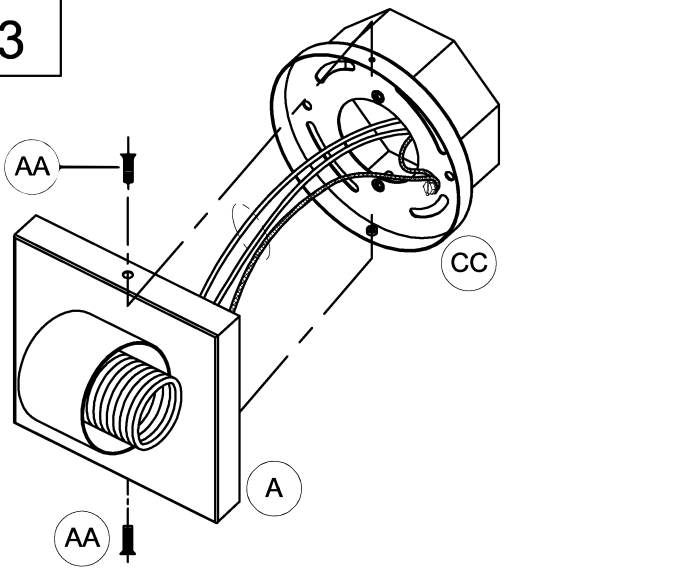
Connect the fixture ground wire and supply ground wire using a wire nut or by fastening to the ground screw on the round mounting plate. Push all wire connections into the outlet box.

BB Wire nut X3



Assembly Instructions

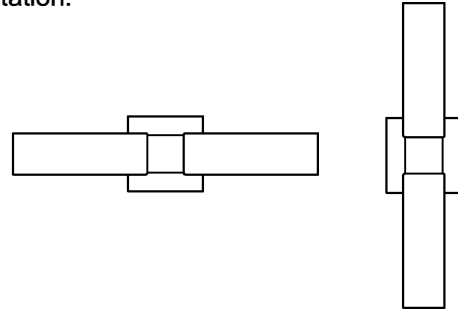
3



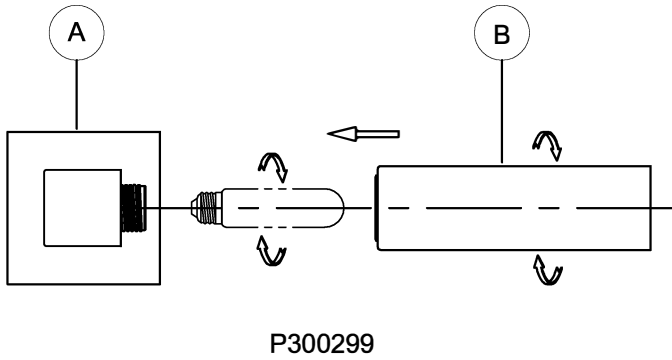
3. Attach fixture (A) to the round back plate (CC) and use screw (AA) to secure tight.

(AA) Screw  X2

NOTE: Both fixture styles can mount vertical or horizontal orientation.

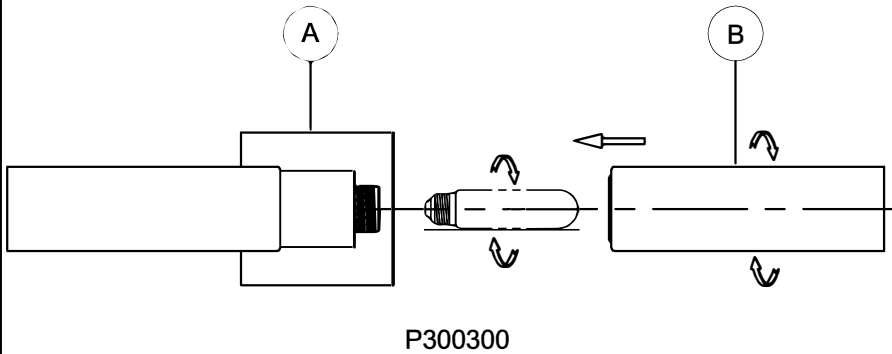


4



4. Screw lamp (not included) into fixture socket. Use 60-watt MAX incandescent medium base T lamp.

Attach glass shade (B) to fixture (A). Secure tightly.



Questions?

Call our Customer Care Team at 1-855-303-4229

urban ambiance

www.urbanambiance.com