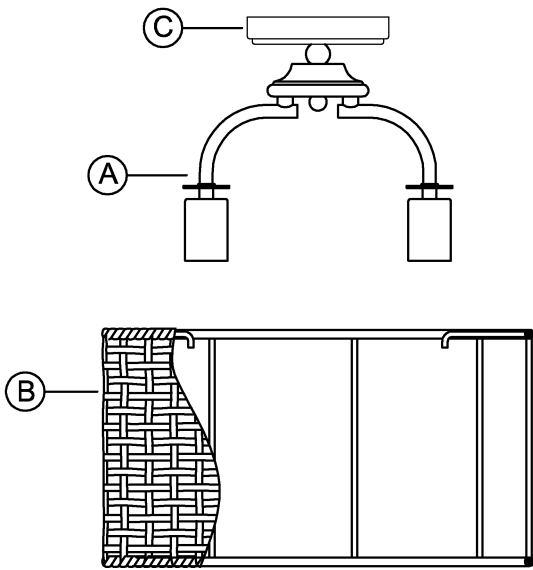


urban ambiance

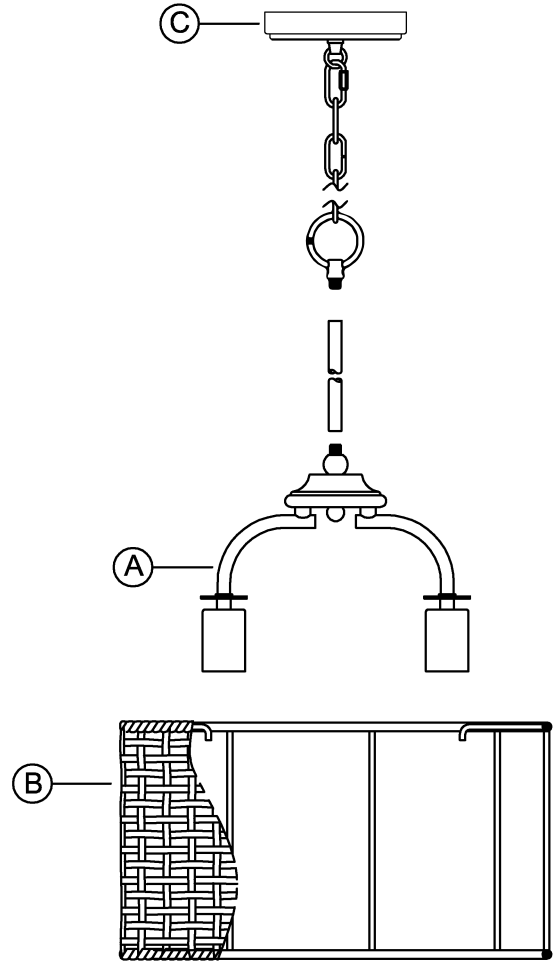
Installation Instructions: UHP3961

PART	DESCRIPTION	QUANTITY
A	Fixture	1
B	Wicker shade	1
C	Canopy	1



Ceiling mounting

-OR-



Hanging mounting

HARDWARE CONTENTS (not actual size)

AA	BB	CC	DD	EE	FF	GG	HH	JJ	KK
Screw (#8-32) Qty:2	Wire nut Qty:3	Round mounting plate Qty:1	Hex nut (#8-32) Qty:2	Cylinder nut (#8-32) Qty:2	Chain (36") Qty:1	Chain loop (1/8IP) Qty:1	Quick-link Qty:1	Chain loop (1/8IP) Qty:1	Pipe Qty:1



Questions?

Call our Customer Care Team at 1-855-303-4229

urban ambiance

www.urbanambiance.com



Safety Information

Please read and understand this entire manual before attempting to assemble, operate or install the product.

CAUTION: Read instructions carefully and turn electricity off at main circuit breaker panel before beginning installation.

CAUTION: Risk of fire. Min. 90°C supply conductors. Consult a qualified electrician to ensure correct branch circuit conductor.

WARNING: If any Special Control Devices are used with this fixture, follow instructions carefully to assure full compliance with N.E.C. requirements. If there are any questions, contact a qualified electrical contractor.

CAUTION: All glass is fragile. Use care when handling glass shades and bulbs.

Preparation

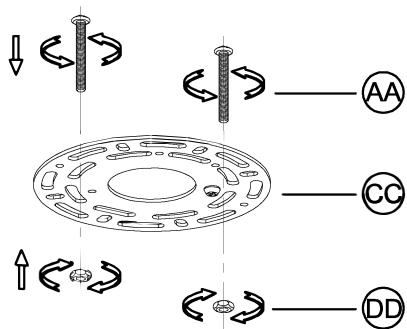
1. Before beginning installation, make sure all parts are included using the contents diagrams from page 1. If any part is missing or damaged, do not attempt to assemble, install or operate the product.
2. Estimated assembly time: 30 minutes.
3. Tools required for assembly (not included): Phillips screwdriver, pliers, wire stripper, safety glasses, electrical tape, ladder.

Care and Maintenance

Shut off main power supply before cleaning product or changing light bulbs. To clean, wipe with damp cloth. Do not use abrasive cleaners or cleaners that contain alcohol.




Assembly Instructions

1

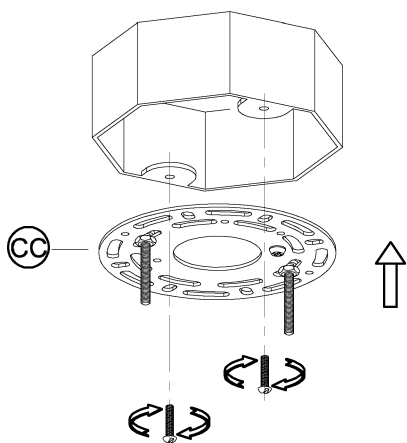


1. Screw screw (AA) onto round mounting plate (CC) and use hex nut (DD) to secure it tightly.

Hardware Used

(AA)	Screw		X2
(CC)	Round mounting plate		X1
(DD)	Hex nut		X2

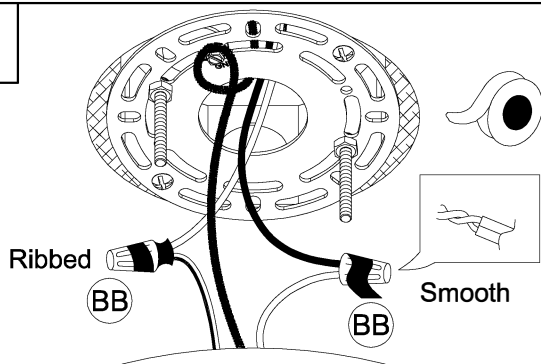
2



2. Attach assembled parts from step 1 onto outlet box using the mounting screws supplied with the outlet box (not included).

Ceiling Assembly Instructions

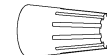
3



3. Strip 3/8" of insulation from the electrical wire ends. Using wire nuts (BB), connect RIBBED fixture wire to the WHITE supply wire from the outlet box; connect the SMOOTH fixture wire to the BLACK supply wire.

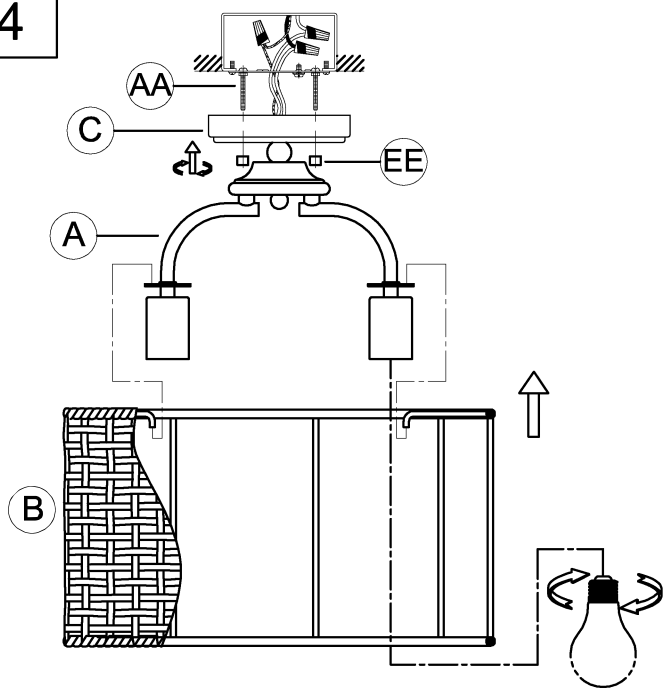
Connect the fixture ground wire and supply ground wire using a wire nut or by fastening to the ground screw on the round mounting plate. Push all wire connections into the outlet box.

(BB) Wire nut



X3

4



4. Attach canopy (C) to screws (AA) use cylinder nuts (EE) to secure tightly.

(EE) Cylinder nut



X2

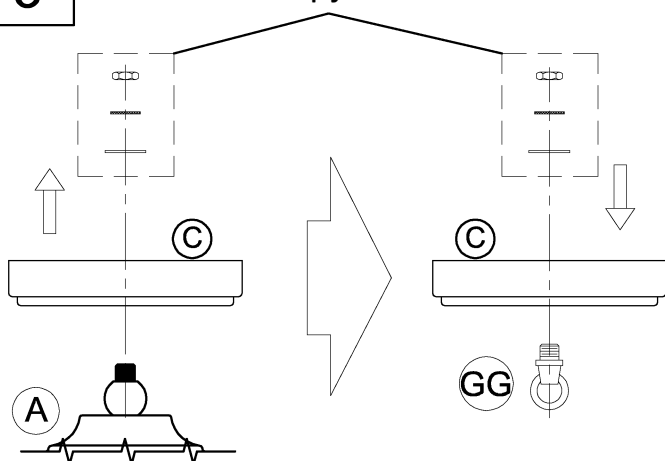
Attach wicker shade (B) to fixture (A).

Screw lamp (not included) into fixture socket. Use 60-watt MAX incandescent medium base lamp, SBCFL or SBLED.

Hanging Assembly Instructions

3

Canopy Parts



3. Remove existing canopy parts and canopy (C) from fixture(A).

Install canopy parts and chain loop(GG) into canopy (C). Secure tightly.

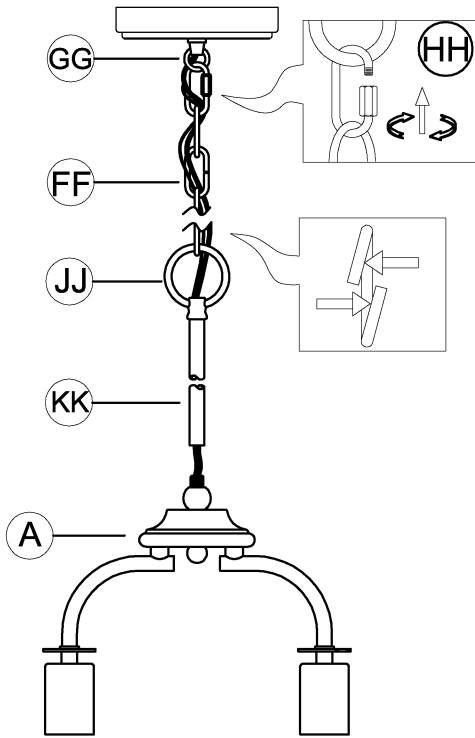
(GG) Chain loop



X1



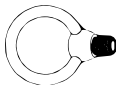
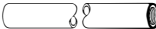
Hanging Assembly Instructions

4

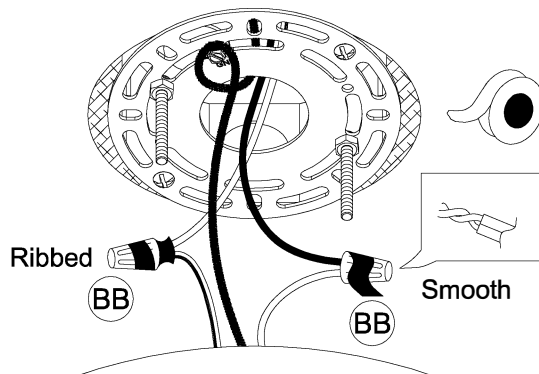


4. Pass the wires through the pipe (KK) and chain loop (JJ). Attach the pipe (KK) onto fixture (A) to secure it tightly. Next Weave electric cord and ground wire through chain (FF). Open one link of chain and attach this end to chain loop (JJ). Close the chain link. Attach the other end of the chain to canopy chain loop using quick-link (HH) to secure it tightly.

NOTE: During this step, you may choose to shorten the chain and electrical/ground wires.

(FF)	Chain		X1
(HH)	Quick-link		X1
(JJ)	Chain loop		X1
(KK)	Pipe		X1

5

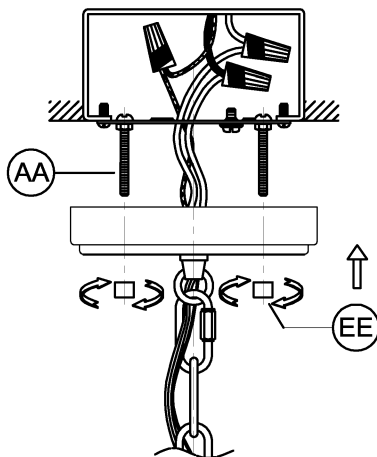


5. Strip 3/8" of insulation from the electrical wire ends. Using wire nuts (BB), connect RIBBED fixture wire to the WHITE supply wire from the outlet box; connect the SMOOTH fixture wire to the BLACK supply wire.

Connect the fixture ground wire and supply ground wire using a wire nut or by fastening to the ground screw on the round mounting plate. Push all wire connections into the outlet box.

(BB)	Wire nut		X3
------	----------	---	----

6

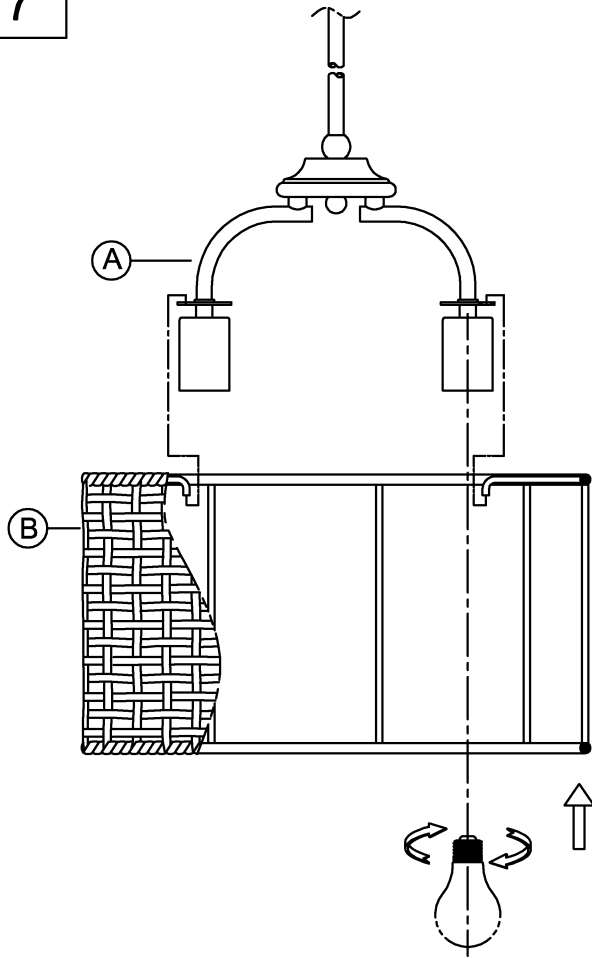


6. Secure the fixture (A) to screws (AA) using the two cylinder nuts (EE) to secure tightly.

(EE)	Cylinder nut		X2
------	--------------	---	----

Hanging Assembly Instructions

7



7. Attach wicker shade (B) to fixture (A).
Screw lamps (not included) into fixture socket.
Use 60-watt MAX incandescent medium base
lamp, SBCFL or SBLED.



Questions?

Call our Customer Care Team at 1-855-303-4229

urban ambiance

www.urbanambiance.com