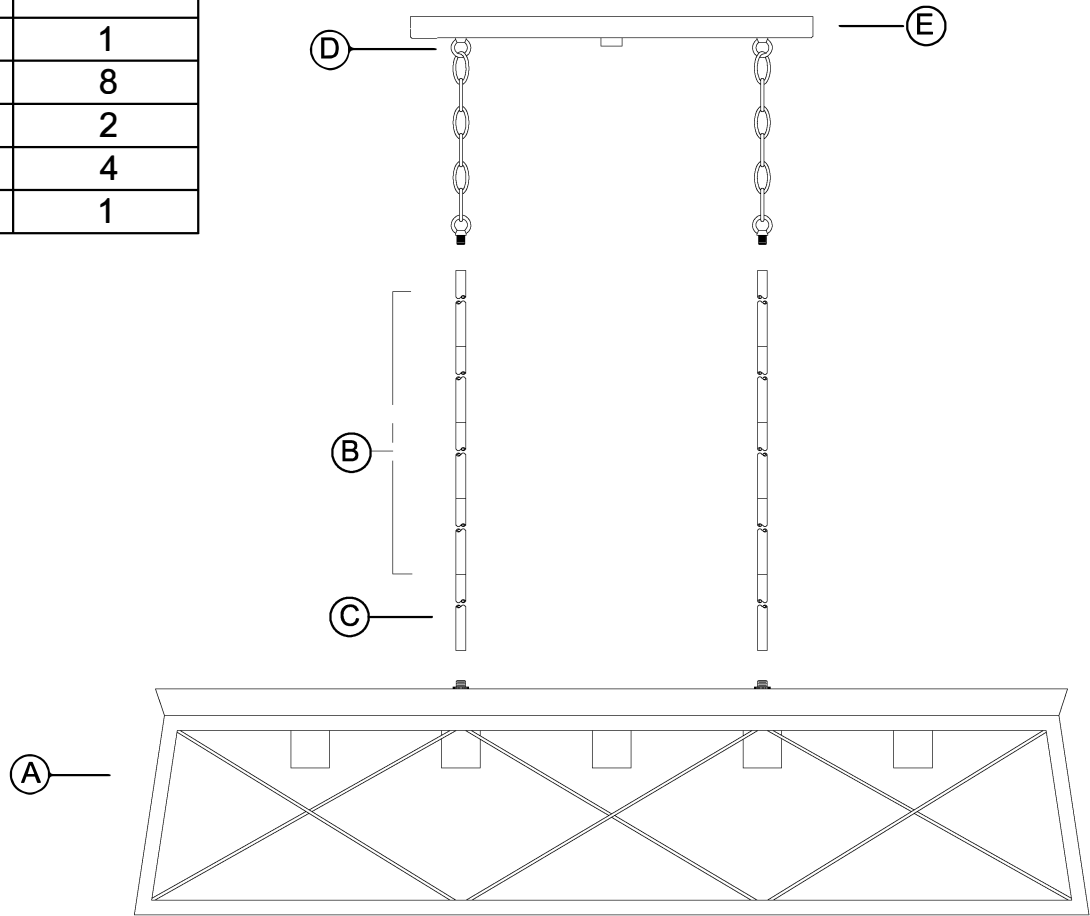


# urban ambiance

Installation Instructions: UHP3920

PART	DESCRIPTION	QUANTITY
A	Fixture	1
B	12" Pipe	8
C	6" Pipe	2
D	Chain loop	4
E	Canopy	1



## HARDWARE CONTENTS (not actual size)

AA	BB	CC	DD	EE	FF	GG	HH
Nipple (1/8IP)	Wire connector	Mounting plate (1/8IP)	Hex nut (1/8IP)	Screw (#8)	Flat washer	Finial (1/8IP)	Chain (8'')
Qty:1	Qty:3	Qty:1	Qty:2	Qty:1	Qty:1	Qty:1	Qty:2



### Questions?

Call our Customer Care Team at 1-855-303-4229

urban ambiance

[www.urbanambiance.com](http://www.urbanambiance.com)



## SAFETY INFORMATION

Please read and understand this entire manual before attempting to assemble, operate or install the product.  
**CAUTION:** Read instructions carefully and turn electricity off at main circuit breaker panel before beginning installation.

**CAUTION:** Risk of fire. Min. 90°C supply conductors. Consult a qualified electrician to ensure correct branch circuit conductor

**WARNING:** If any Special Control Devices are used with this Fixture, follow instructions carefully to assure full compliance with N.E.C. requirements. If there are any questions, contact a qualified electrical contractor.

**CAUTION:** All glass is fragile, use care when handling glass shades and bulbs.

## PREPARATION

1. Before beginning installation, make sure all parts are included using the contents diagrams from page 1. If any part is missing or damage, do not attempt to assemble, install or operate the product.
2. Estimated assembly time: 30 minutes.
3. Tools required for assembly (not included): Phillips screwdriver, pliers, wire stripper, safety glasses, electrical tape, ladder, drill.

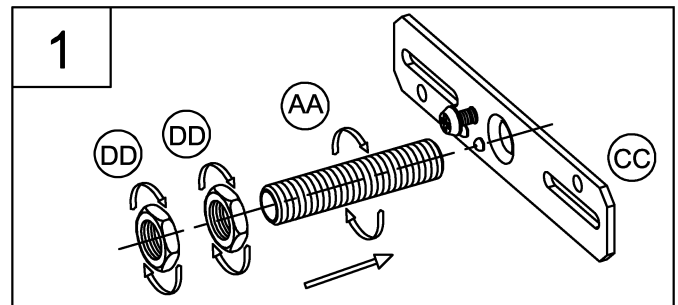
## CARE AND MAINTENANCE

Shut off main power supply before cleaning product or changing light bulbs. To clean, wipe with damp cloth. Do not use abrasive cleaners or cleaners that contain alcohol.

## ASSEMBLY INSTRUCTIONS

1. Screw nipple (AA) and hex nut (DD) onto mounting plate (CC)

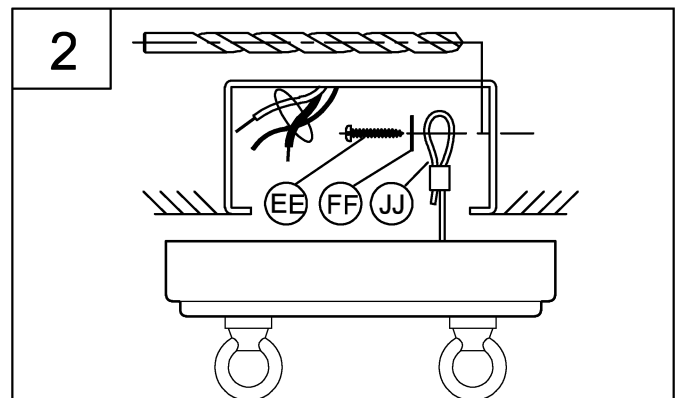
(AA) Nipple		X1
(DD) Hex nut		X2
(CC) Mounting plate		X1



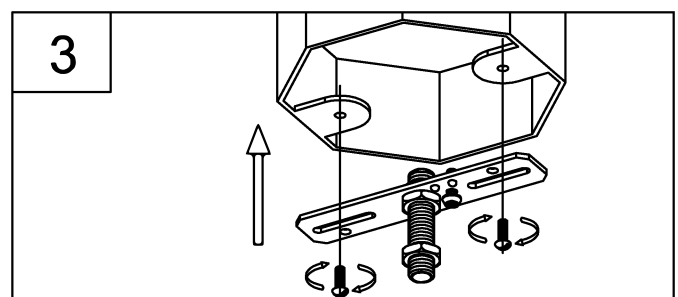
2. Use a drill with a #29 (Ø.136) (3.5mm) bit to create mounting holes in the junction box.  
Next Attach flat washer (FF) and support cable (JJ) onto junction box using screw (EE) to secure tightly.

## Hardware Used

(EE) Screw		X1
(FF) Flat washer		X1
(JJ) Support Cable		X1



3. Attach assembled parts from step 1 onto junction box, using the mounting screws supplied with the junction box (not included).





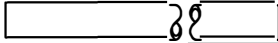
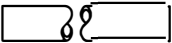

# ASSEMBLY INSTRUCTIONS

4. Assemble nipples (KK) and pipes (HH, JJ) together to achieve a desirable hanging length. **NOTE:** Also at this time, you may choose to shorten the chain length and electrical/ground wires, but be sure to leave 6" minimum wire lengths beyond the canopy for connection. When completed, pass the wires through the assembled pipe lengths.

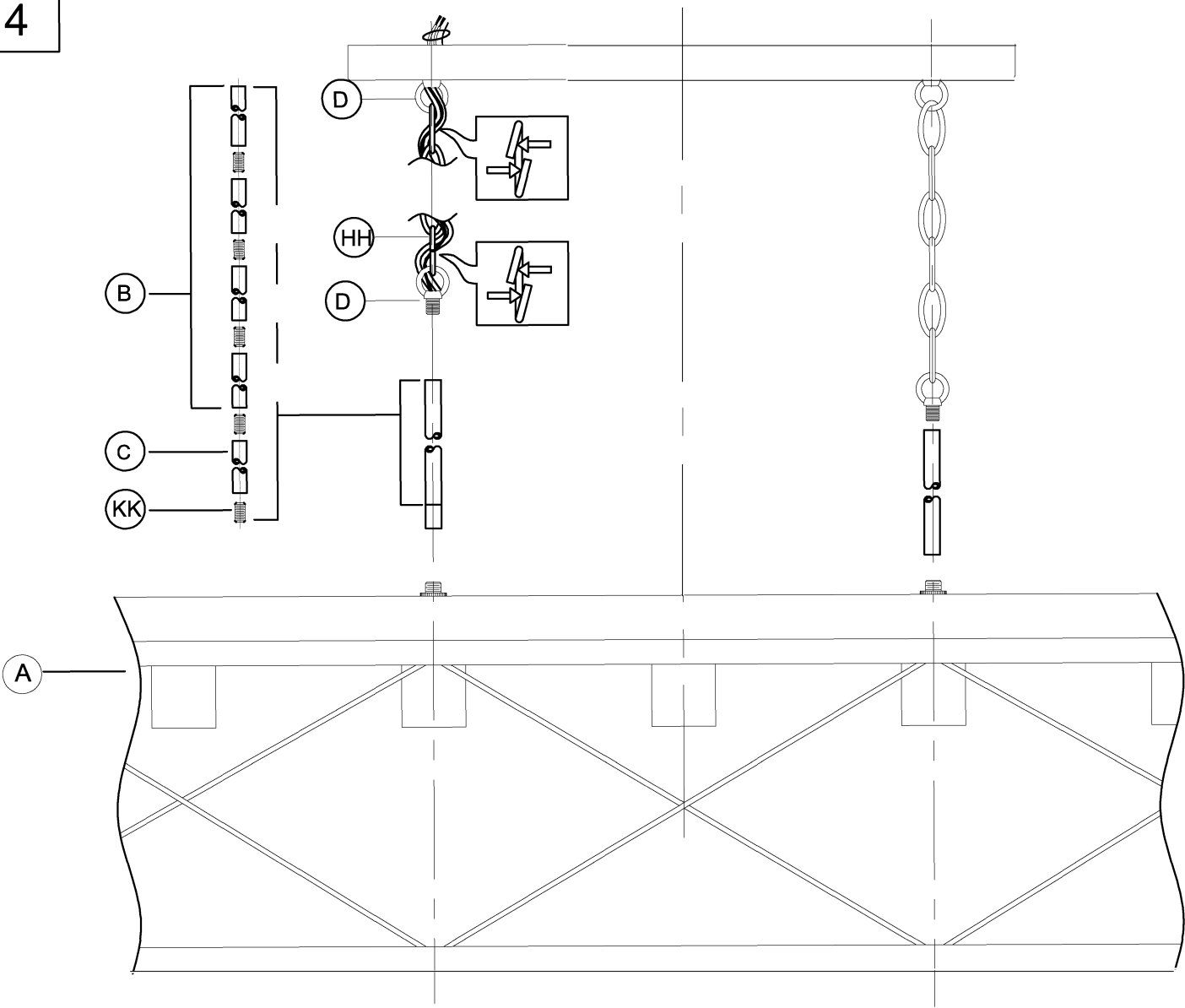
Next, attach assembled pipes on fixture using nipple (KK). Secure tightly.

Weave electric cord and ground wire through chain (FF) and chain loop (GG). Open two links of chain and attach both ends to chain loops (GG). Close the chain links.

Repeat without wire for other side of fixture to match.

(HH)	Chain		X2
(D)	Chain loop		X4
(B)	12" Pipe		X8
(C)	6" Pipe		X2
(KK)	Nipple		X10

4

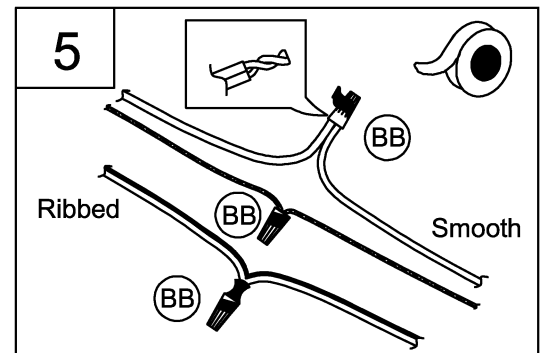


# Assembly Instructions

5. Strip  $\frac{3}{8}$ " of insulation from the electrical wire ends. Using wire connector (BB), connect RIBBED fixture wire to the WHITE supply wire from the junction box; connect the SMOOTH fixture wire to the BLACK supply wire.

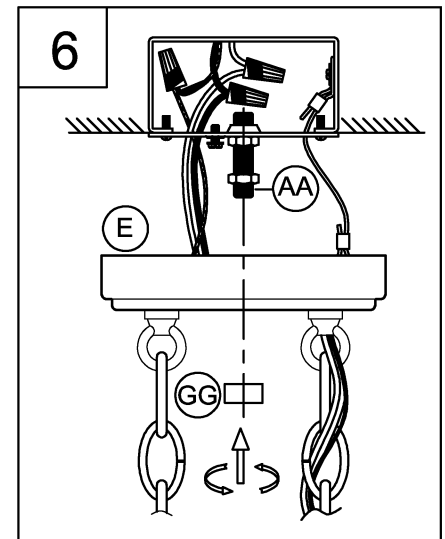
Connect the fixture ground wire and supply ground wire using a wire nut or by fastening to the ground screw on the mounting strap. Push all wire connections into the outlet box.

(BB) Wire connector  X3



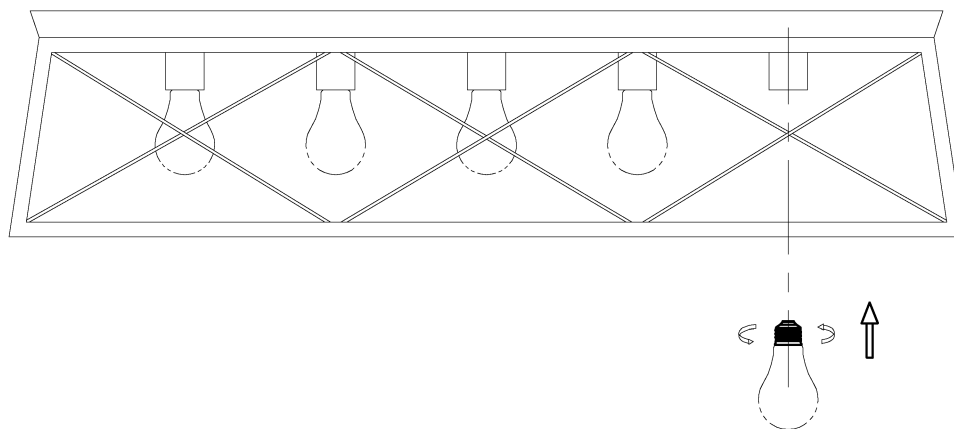
6. Attach canopy (E) onto nipple (AA) and use finial (GG) to secure the canopy tightly to the ceiling.

(GG) Finial  X1



7. Screw lamp (not included) into fixture socket. Use 100-watt MAX incandescent medium base lamp, SBCFL or SBLED.

7



**Questions?**

Call our Customer Care Team at 1-855-303-4229

urban ambiance

[www.urbanambiance.com](http://www.urbanambiance.com)