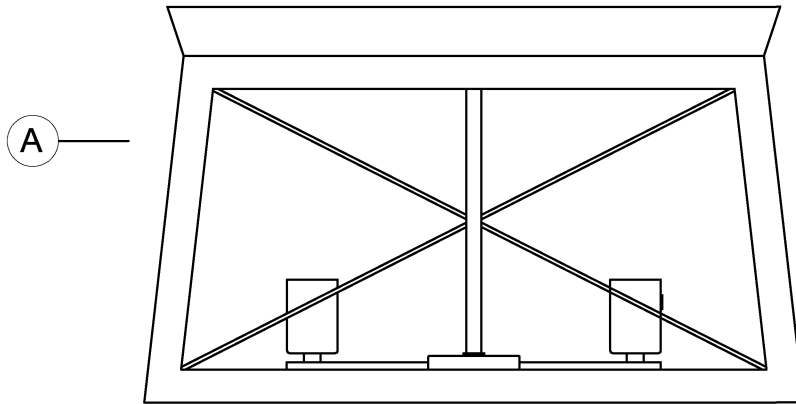
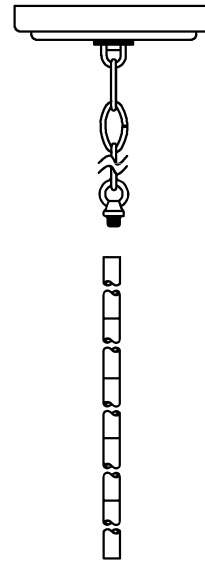


PART	DESCRIPTION	QUANTITY
		UHP3912
A	Fixture	1



HARDWARE CONTENTS (not actual size)

AA	BB	CC	DD	EE	FF	GG	HH	JJ	KK	MM
Hex nut	Wire nut	Mounting plate	Screw collar	Chain holder	Nipple	Chain	Canopy	Chain loop (1/8IP)	12" Pipe (1/8IP)	6" Pipe (1/8IP)
Qty:2	Qty:3	Qty:1	Qty:1	Qty:1	Qty:1	Qty:1		Qty:1	Qty:4	Qty:1



Questions?

Call our Customer Care Team at 1-855-303-4229

urban ambiance

www.urbanambiance.com



Safety Information

Please read and understand this entire manual before attempting to assemble, operate or install the product.

CAUTION: Read instructions carefully and turn electricity off at main circuit breaker panel before beginning installation.

CAUTION: Risk of fire. Min. 90°C supply conductors. Consult a qualified electrician to ensure correct branch circuit conductor.

WARNING: If any Special Control Devices are used with this fixture, follow instructions carefully to assure full compliance with N.E.C. requirements. If there are any questions, contact a qualified electrical contractor.

CAUTION: All glass is fragile. Use care when handling glass shades and bulbs.

Preparation

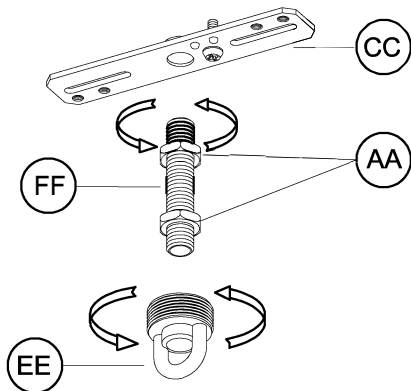
1. Before beginning installation, make sure all parts are included using the contents diagrams from page 1. If any part is missing or damaged, do not attempt to assemble, install or operate the product.
2. Estimated assembly time: 30 minutes.
3. Tools required for assembly (not included): Phillips screwdriver, pliers, wire stripper, safety glasses, electrical tape, ladder.

Care and Maintenance

Shut off main power supply before cleaning product or changing light bulbs. To clean, wipe with damp cloth. Do not use abrasive cleaners or cleaners that contain alcohol.

Assembly Instructions

1

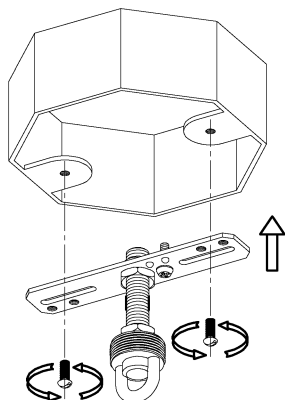


1. Screw threaded nipple (FF) into mounting plate (CC) several turns. Use one hex nut (AA) to secure parts tightly. Screw one hex nut (AA) and chain holder (EE) onto threaded nipple (FF). Tighten the hex nut against the top of the chain holder.

Hardware Used

	Hex nut		X2
	Nipple		X1
	Mounting plate		X1
	Chain holder		X1

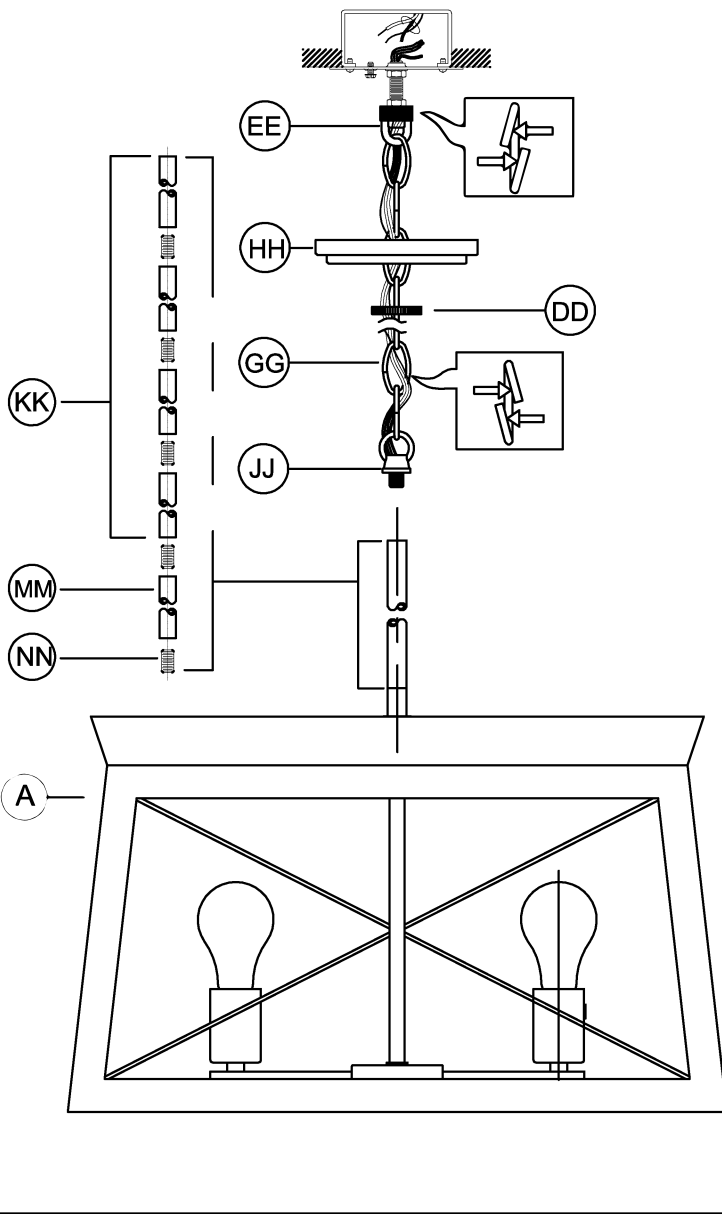
2



2. Attach assembled parts from step 1 onto junction box, using the mounting screws supplied with the junction box (not included).

ASSEMBLY INSTRUCTIONS




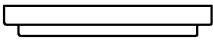

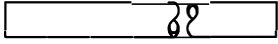
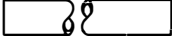

3



4. Assemble nipples (KK) and pipes (HH, JJ) together to achieve a desirable hanging length. NOTE: Also at this time, you may choose to shorten the chain length and electrical/ground wires, but be sure to leave 6" minimum wire lengths beyond the canopy for connection. When completed, pass the wires through the assembled pipe lengths.

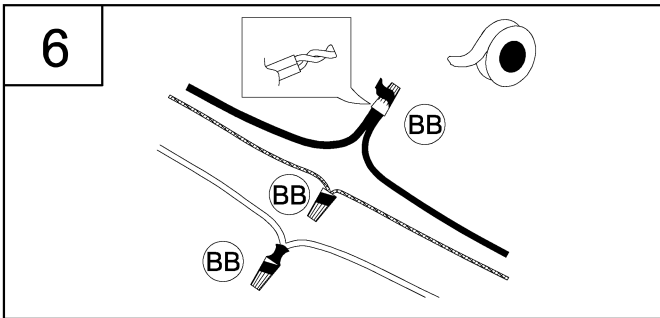
Next attach assembled pipes onto fixture using a nipple (NN). Secure tightly. Weave electric cord and ground wire through chain loop (JJ), chain (FF), screw collar (DD) and chain holder (EE). Open two links of chain and attach one end to chain loop (GG) and the other end to the chain holder (EE). Close the chain links.

Hardware Used

(DD) Screw collar		X1
(EE) Chain holder		X1
(GG) Chain		X1
(HH) Canopy		X1
(JJ) Chain loop		X2
(KK) 12" Pipe		X4
(MM) 6" Pipe		X1
(NN) Nipple		X5

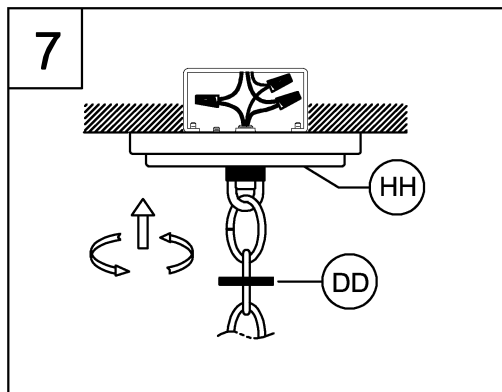
ASSEMBLY INSTRUCTIONS

BB Wire nut  X3

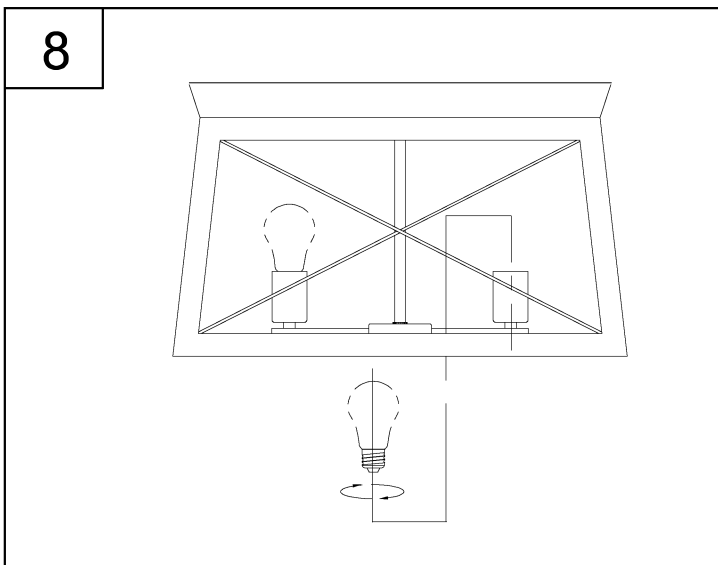


3. Strip 3/8" of insulation from the electrical wire ends. Using wire nuts (BB), connect RIBBED fixture wire to the WHITE supply wire from the junction box; connect the SMOOTH fixture wire to the BLACK supply wire.

Connect the fixture ground wire and supply ground wire using a wire nut or by fastening to the ground screw on the mounting plate. Push all wire connections into the outlet box.



7. Tuck the wires into the junction box and slip the canopy over the chain holder. Thread the screw collar (DD) onto the chain holder to secure the canopy tightly to the ceiling.



8. Screw lamps (not included) into fixture socket. Use 100-watt MAX incandescent medium base, SBCFL or SBLED.



Questions?

Call our Customer Care Team at 1-855-303-4229

urban ambiance

www.urbanambiance.com