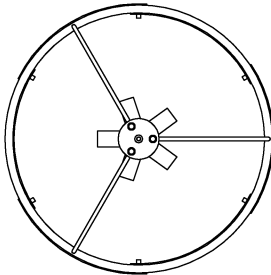


# urban ambiance

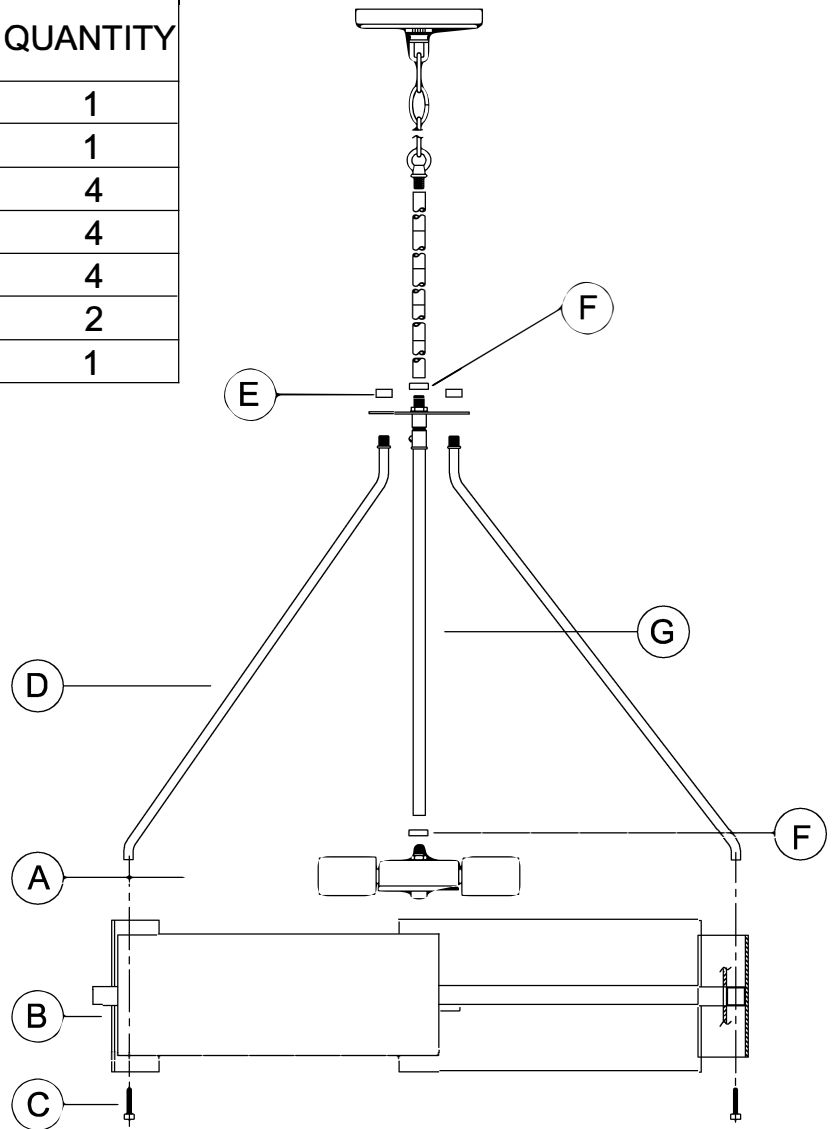
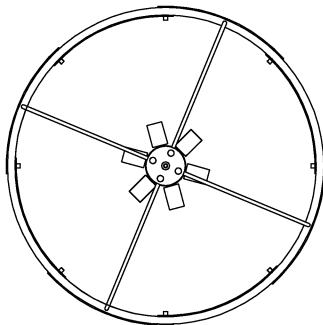
Installation Instructions: **UHP3861**

PART	DESCRIPTION	QUANTITY	QUANTITY
A	Fixture	1	1
B	Frame	1	1
C	Screw	3	4
D	Round arm	3	4
E	Finial	3	4
F	Seat ring	2	2
G	Stem	1	1

UHP3860



UHP3861



## HARDWARE CONTENTS (not actual size)

AA	BB	CC	DD	EE	FF	GG	HH	JJ	KK	LL	MM
Hex nut	Wire nut	Mounting plate (1/8IP)	Screw collar	Chain holder (1/8IP)	Nipple (1/8IP)	Chain (6 links)	12" Pipe (1/8IP)	6" Pipe (1/8IP)	Nipple (1/8IP)	Chain loop (1/8IP)	Canopy
Qty:2	Qty:3	Qty:1	Qty:1	Qty:1	Qty:1	Qty:1	Qty:4	Qty:1	Qty:4	Qty:1	Qty:1



### Questions?

Call our Customer Care Team at 1-855-303-4229

urban ambiance

[www.urbanambiance.com](http://www.urbanambiance.com)



## Safety Information

Please read and understand this entire manual before attempting to assemble, operate or install the product.

**CAUTION:** Read instructions carefully and turn electricity off at main circuit breaker panel before beginning installation.

**CAUTION:** Risk of fire. Min. 90°C supply conductors. Consult a qualified electrician to ensure correct branch circuit conductor.

**WARNING:** If any Special Control Devices are used with this fixture, follow instructions carefully to assure full compliance with N.E.C. requirements. If there are any questions, contact a qualified electrical contractor.

**CAUTION:** All glass is fragile. Use care when handling glass shades and bulbs.

## Preparation

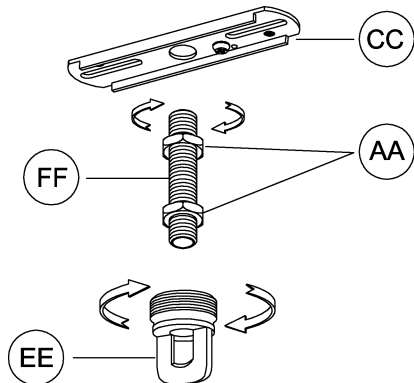
1. Before beginning installation, make sure all parts are included using the contents diagrams from page 1. If any part is missing or damaged, do not attempt to assemble, install or operate the product.
2. Estimated assembly time: 30 minutes.
3. Tools required for assembly (not included): Phillips screwdriver, pliers, wire stripper, safety glasses, electrical tape, ladder.

## Care and Maintenance

Shut off main power supply before cleaning product or changing light bulbs. To clean, wipe with damp cloth. Do not use abrasive cleaners or cleaners that contain alcohol.

## Assembly Instructions

1

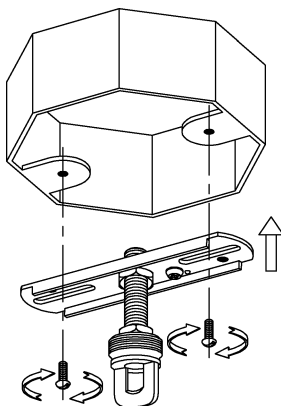


1. Screw threaded nipple (FF) into mounting plate (CC) several turns. Use one hex nut (AA) to secure parts tightly. Screw one hex nut (AA) and chain holder (EE) onto threaded nipple (FF). Tighten the hex nut against the top of the chain holder.

### Hardware Used

	Hex nut		X2
	Nipple		X1
	Mounting plate		X1
	Chain holder		X1

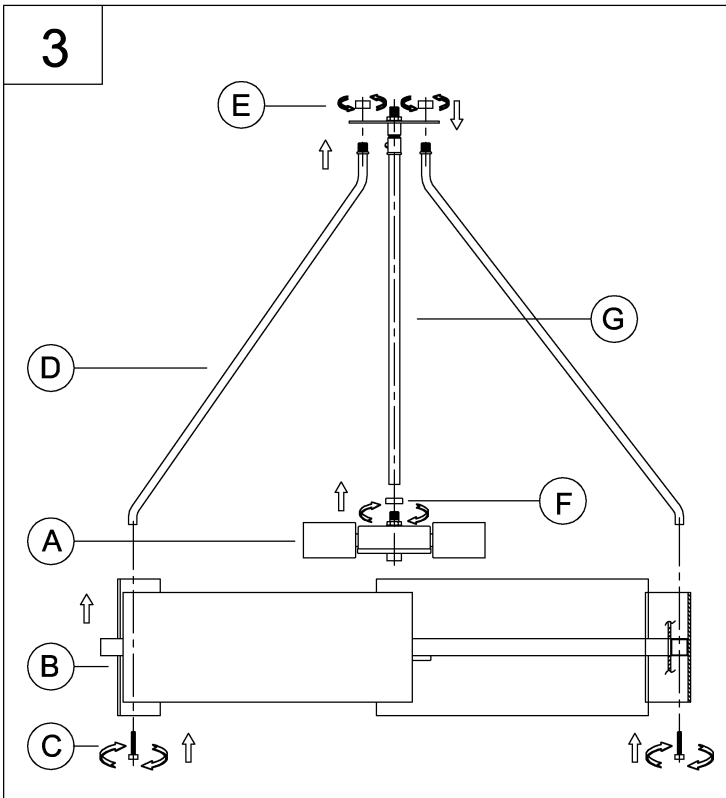
2



2. Attach assembled parts from Step 1 onto outlet box using the mounting screws supplied with the outlet box (not included).

# ASSEMBLY INSTRUCTIONS

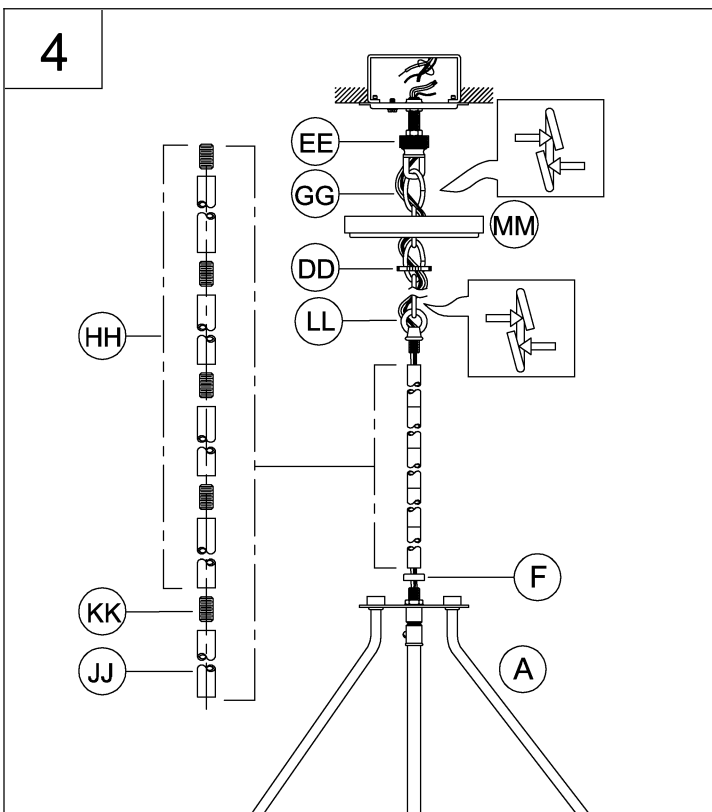
3



3. Attach round arm (D) to frame (B) use screw (C) to secure tightly; then attach other end of round arm (D) to the steel plate of stem (G) use finial (E) to secure tightly.

Pass the wires through the seat ring (F) / stem (G), thread fixture (A) onto the seat ring (F) / stem (G) to secure tightly.

4



4. Pass the wires through the seat ring (F)/nipple (KK)/ one pipe (JJ)/four pipe (HH) to achieve overall desired length.



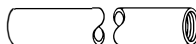
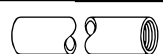

Next attach seat ring (F) / pipe onto fixture (A), secure tightly.

Weave wires through chain (GG). Pass wires and chain through screw collar (DD) and canopy (MM). Open two links of chain and attach one end to chain loop (LL) and the other end to chain holder (EE). Close the chain links.

Pass the wires through the chain holder/ threaded nipple/ mounting plate.

NOTE: During this step, you may choose to shorten the chain and electrical/ ground wires.

## Hardware Used

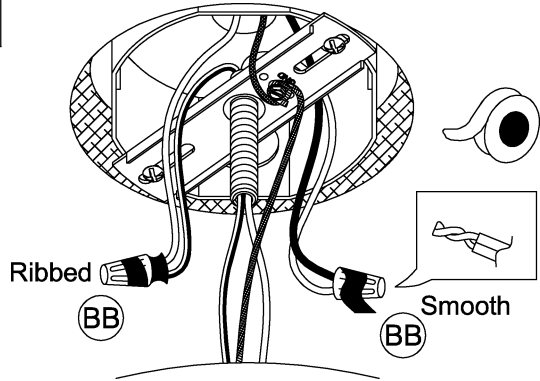
(DD) Screw collar		X1
(GG) Chain		X1
(HH) 12' Pipe		X4
(JJ) 6' Pipe		X1
(KK) Nipple		X4

(MM) Canopy  X1

(LL) Chain loop  X1

# ASSEMBLY INSTRUCTIONS

5



5. Strip 3/8" of insulation from the electrical wire ends. Using wire nuts (BB), connect RIBBED fixture wire to the WHITE supply wire from the outlet box; connect the SMOOTH fixture wire to the BLACK supply wire. Connect the fixture ground wire and supply ground wire using a wire nut or by fastening to the ground screw on the mounting plate. Push all wire connections into the outlet box.

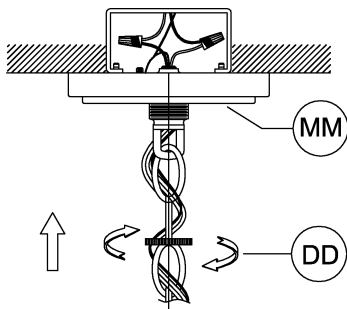


Wire nut



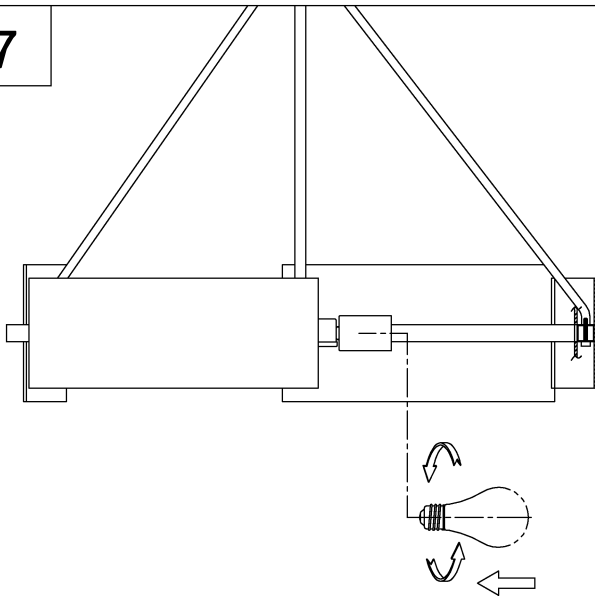
X3

6



6. Tuck the wires into the outlet box and slip the canopy over the chain holder. Thread the screw collar (DD) onto the chain holder to secure the canopy tightly to the ceiling.

7



7. Screw lamp (not included) into fixture socket. Use 60-watt MAX incandescent medium base lamp, SBCFL or SBLED.



**Questions?**

Call our Customer Care Team at 1-855-303-4229

urban ambiance

[www.urbanambiance.com](http://www.urbanambiance.com)