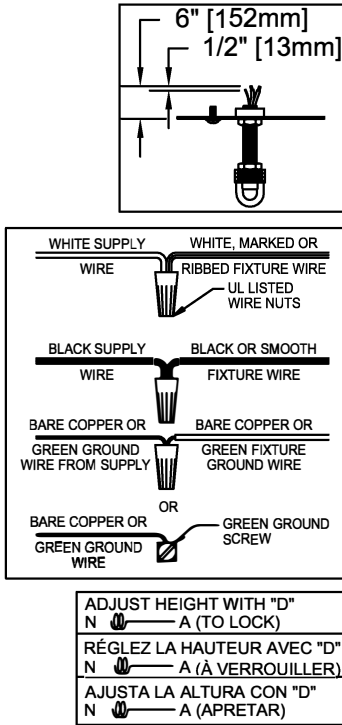


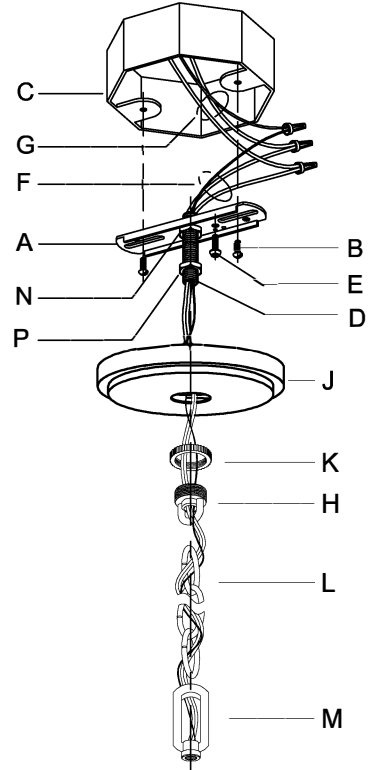
## UHP2892

**WARNING** - If any Special Control Devices are used with this Fixture, Follow the Instructions Carefully to assure full compliance with N.E.C. requirements. If there are any questions, contact a Qualified Electrical Contractor.  
**CAUTION** - All glass is fragile, use care when handling Glass component(s) and or Lamp(s).

### CANOPY MOUNTING & WIRE CONNECTION ASSEMBLY STEPS:



1. D,E → A
2. B,A → C
3. N,P,H → D
4. P → H (TO LOCK) (À VERROUILLER) (APRETAR)
5. F → M
6. L → M
7. K,J → L
8. L → H
9. F → L,K,J,H,D
10. F → G
11. J,K → H



### FIXTURE ASSEMBLY STEPS:

1. M → Q
2. S → R
3. V,U → W
4. T → W

B, C, G & T  
(NOT FURNISHED)  
(NO INCLUIDA)  
(NON FOURNIE)

