


## UHP2800

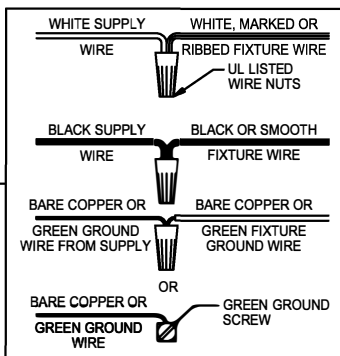
\*\*\*\*\*  
**WARNING** - If any Special Control Devices are used with this Fixture, Follow the Instructions Carefully to assure full compliance with N.E.C. requirements. If there are any questions, contact a Qualified Electrical Contractor.  
**CAUTION** - All glass is fragile, use care when handling Glass component(s) and or Lamp(s).  
 \*\*\*\*\*

**ASSEMBLY STEPS:**

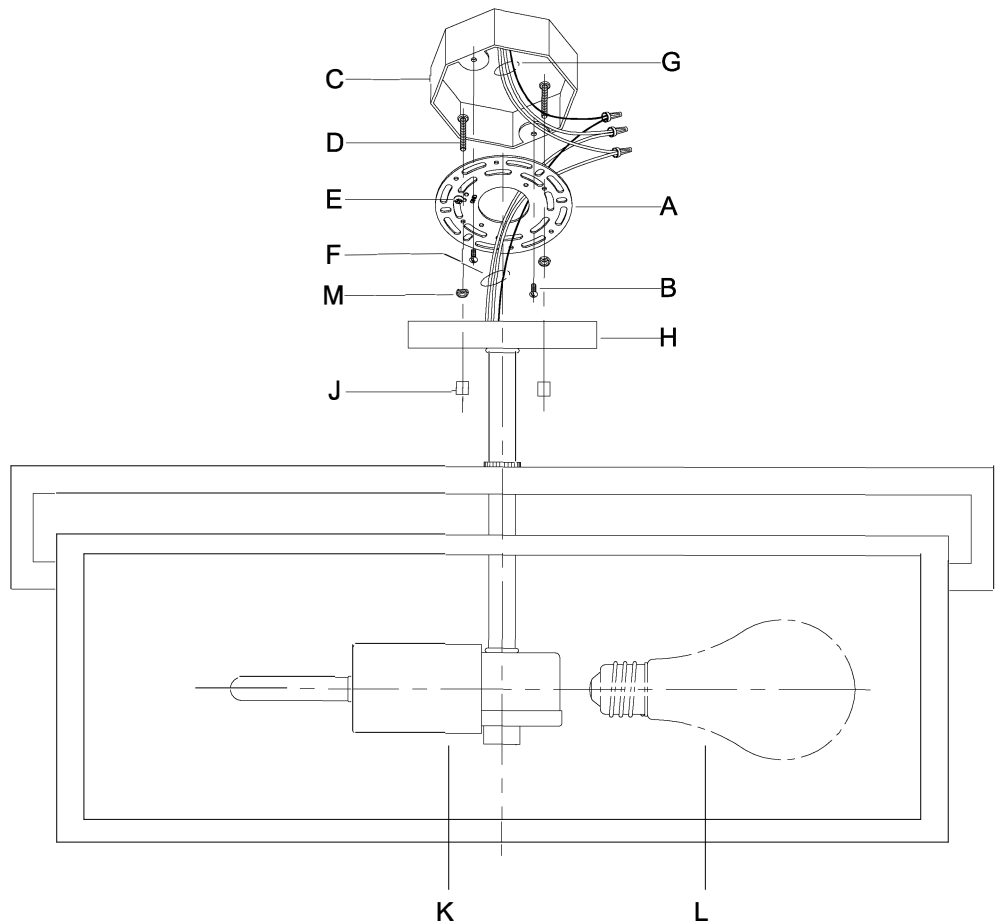
**PASOS PARA ENSAMBLAR:**

**MODE D'ASSEMBLAGE:**

1. D,E → A
2. M → D
3. B,A → C
4. F → G 
5. H,J → D
6. L → K



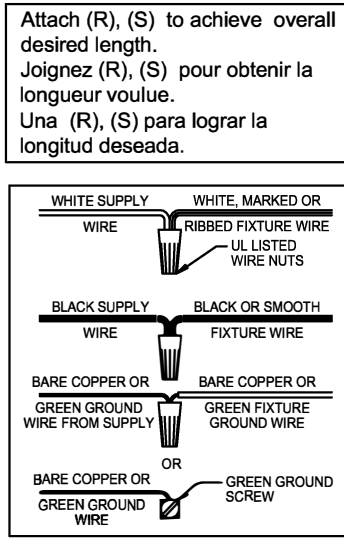
**B, C, G & L  
 (NOT FURNISHED)  
 (NON FOURNIE)  
 (NO INCLUIDA)**



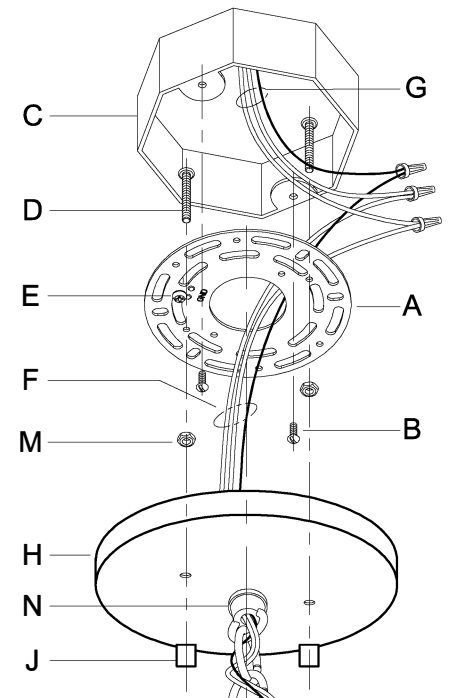
## UHP2800

**WARNING** - If any Special Control Devices are used with this Fixture, Follow the Instructions Carefully to assure full compliance with N.E.C. requirements. If there are any questions, contact a Qualified Electrical Contractor.  
**CAUTION** - All glass is fragile, use care when handling Glass component(s) and or Lamp(s).

### CANOPY MOUNTING & WIRE CONNECTION ASSEMBLY STEPS:



1. D,E → A
2. B,A → C
3. M → D
4. F → T,R,S,Q
5. R → T
6. Q → R
7. P → Q,N
8. F → P,N,H
9. F → G
10. H,J → D



### FIXTURE ASSEMBLY STEPS:

1. T → U
2. L → K

B, C, G & L  
 (NOT FURNISHED)  
 (NO INCLUIDA)  
 (NON FOURNIE)

