

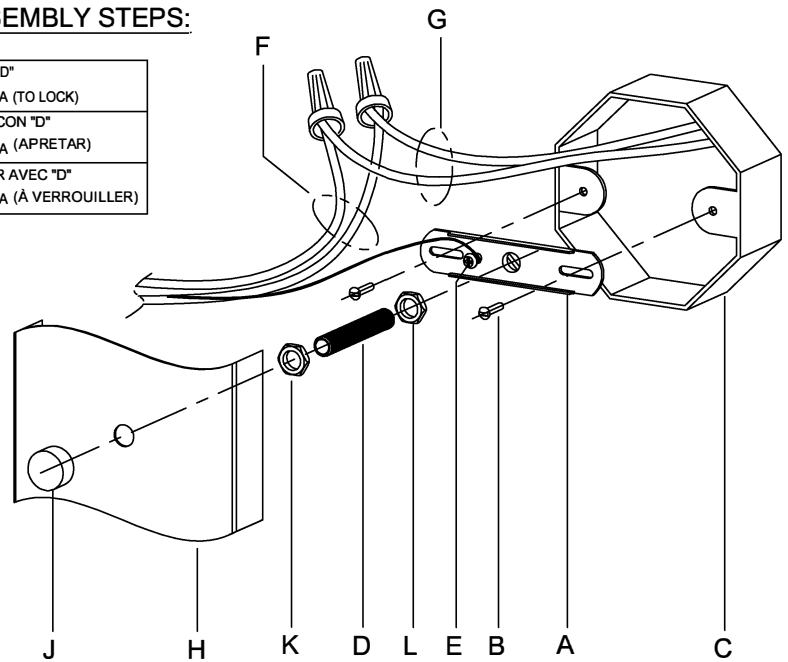
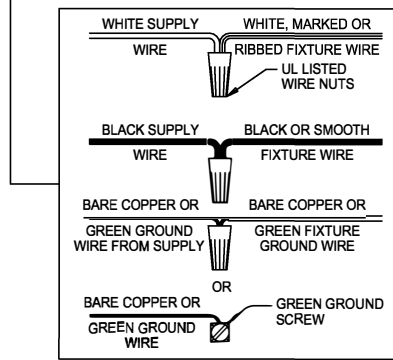
UHP2783

WARNING - If any Special Control Devices are used with this Fixture, Follow the Instructions Carefully to assure full compliance with N.E.C. requirements. If there are any questions, contact a Qualified Electrical Contractor.
CAUTION - All glass is fragile, use care when handling Glass component(s) and or Lamp(s).

CANOPY MOUNTING & WIRE CONNECTION ASSEMBLY STEPS:

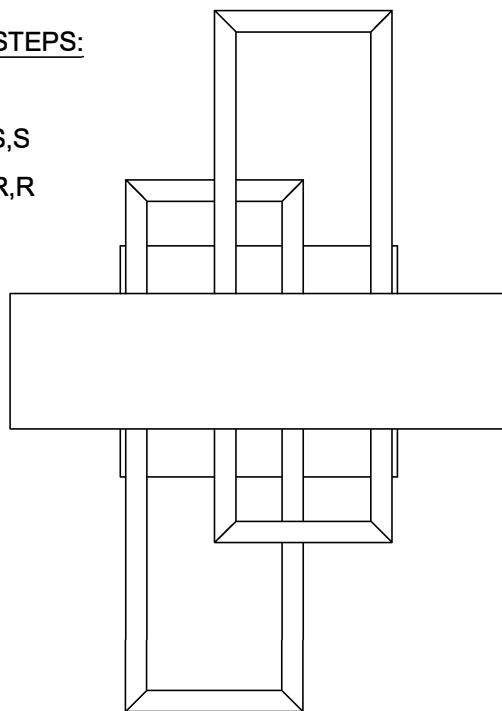
1. D,E → A
2. K,L → D
3. B,A → C
4. F → G
5. H,J → D

ADJUST HEIGHT WITH "D"	
L	→ A (TO LOCK)
AJUSTA LA ALTURA CON "D"	
L	→ A (APRETAR)
RÉGLEZ LA HAUTEUR AVEC "D"	
L	→ A (À VERROUILLER)



FIXTURE ASSEMBLY STEPS:

1. U → Q
2. X → T, SS, S
3. Y → T, RR, R



B, C, G & U
 (NOT FURNISHED)
 (NO INCLUIDA)
 (NON FOURNIE)

