

WARNING - If any Special Control Devices are used with this Fixture, Follow the Instructions Carefully to assure full compliance with N.E.C. requirements. If there are any questions, contact a Qualified Electrical Contractor.

WARNING - This product contains chemicals known to the State of California to cause cancer, birth defects and /or other reproductive harm. Thoroughly wash hands after installing, handling, cleaning, or otherwise touching this product.

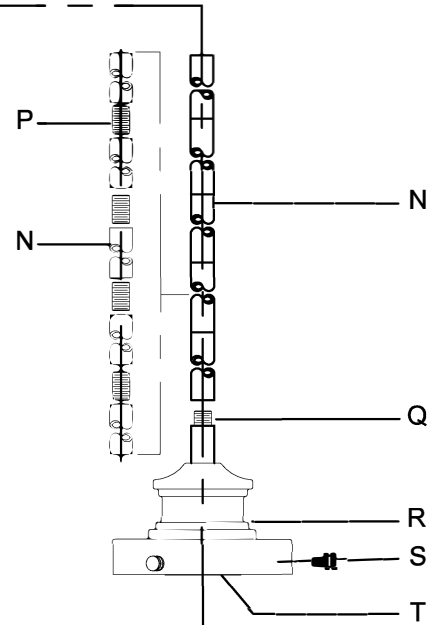
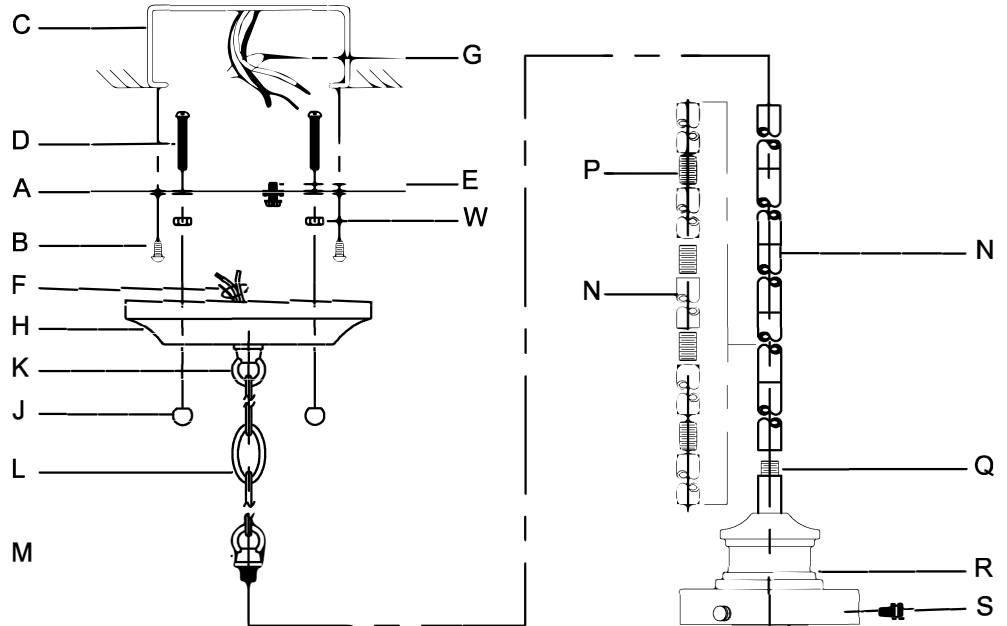
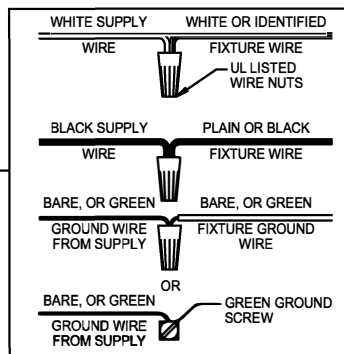
CAUTION - All glass is fragile, use care when handling Glass component(s) and or Lamp(s).

ASSEMBLY STEPS:
PASOS PARA ENSAMBLAR:
MODE D'ASSEMBLAGE:

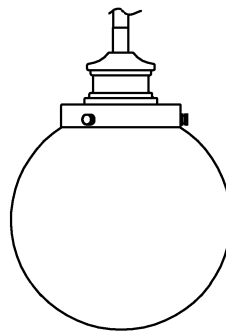
1. D,E → A
2. W → D
3. B,A → C
4. F → P,N,M
5. N → Q
6. M → N
7. L → M,K
8. F → L,K,H
9. F → G
10. H,J → D
11. U → T
12. V → R
13. S,R → V

**B, C, G & U
 (NOT FURNISHED)
 (NO INCLUIDA)
 (NON FOURNIE)**

Attach (N), (P) to achieve overall desired length.
 Una (N), (P) para lograr la longitud deseada.
 Joignez (N), (P) pour obtenir la longueur voulue.



UHP2640
 UHP2641



UHP2642
 UHP2643

