
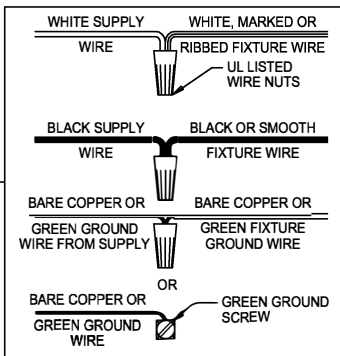


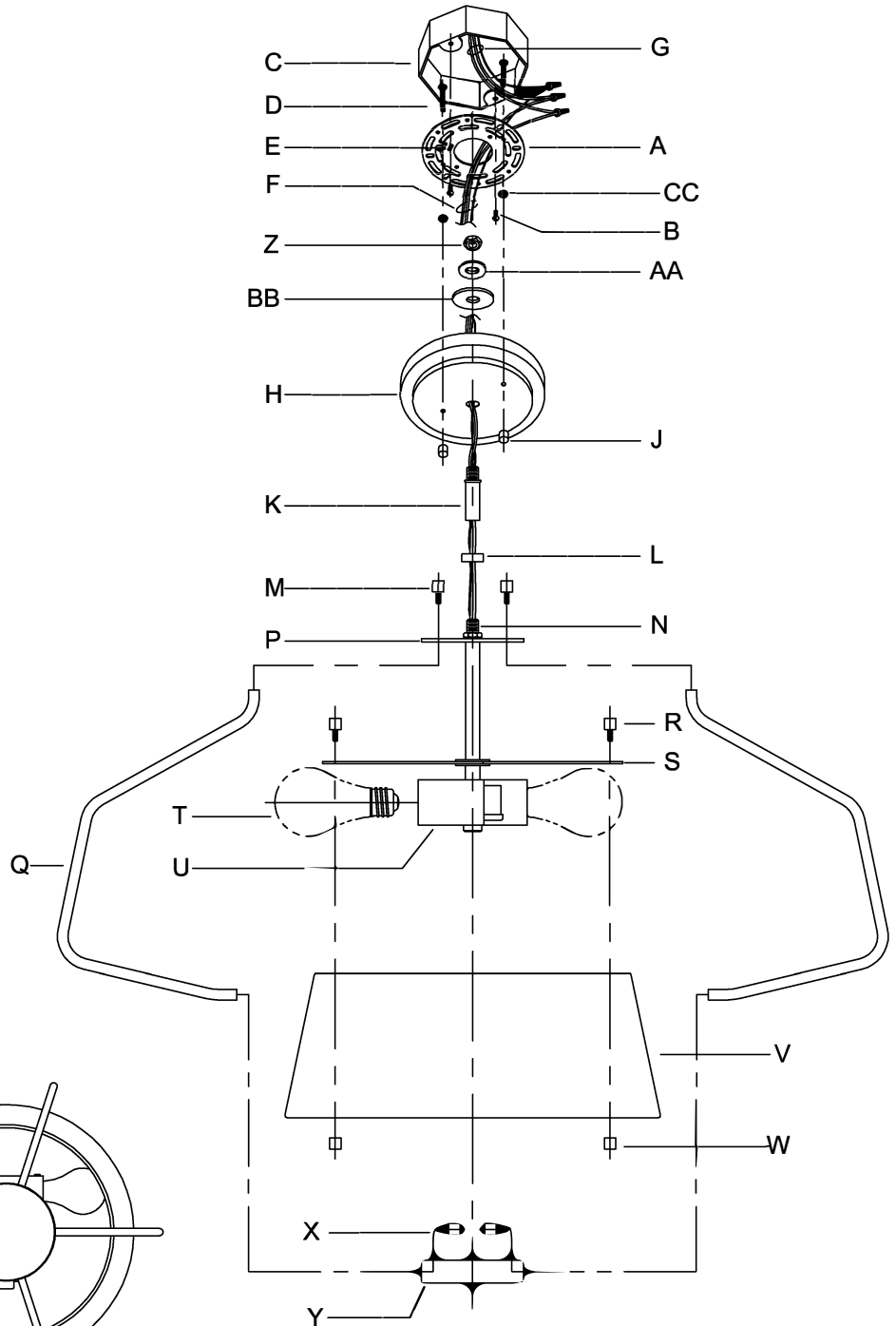
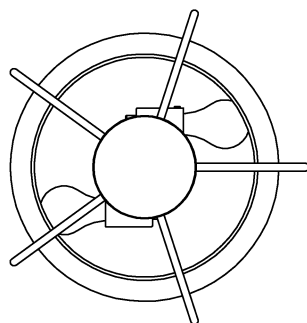
**WARNING** - If any Special Control Devices are used with this Fixture, Follow the Instructions Carefully to assure full compliance with N.E.C. requirements. If there are any questions, contact a Qualified Electrical Contractor.  
**WARNING** - This product contains chemicals known to the State of California to cause cancer, birth defects and /or other reproductive harm. Thoroughly wash hands after installing, handling, cleaning, or otherwise touching this product.  
**CAUTION** - All glass is fragile, use care when handling Glass component(s) and or Lamp(s).

\*\*\*\*\*  
**ASSEMBLY STEPS:**  
**MODE D'ASSEMBLAGE:**  
**PASOS PARA ENSAMBLAR:**

1. D,E → A
2. CC → D
3. B,A → C
4. H,BB,AA,Z → K
5. F → L,K
6. L,K → N
7. F → G 
8. H,J → D
9. T → U
10. R,S,V → W
11. M,P → Q
12. X,Y → Q



**B, C, G & T  
 (NOT FURNISHED)  
 (NO INCLUIDA)  
 (NON FOURNIE)**



**WARNING** - If any Special Control Devices are used with this Fixture, Follow the Instructions Carefully to assure full compliance with N.E.C. requirements. If there are any questions, contact a Qualified Electrical Contractor.

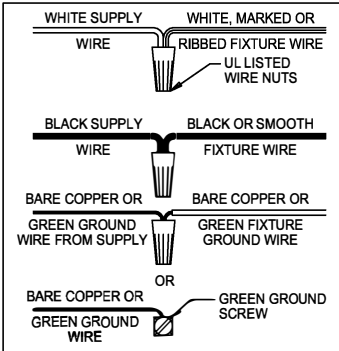
**WARNING** - This product contains chemicals known to the State of California to cause cancer, birth defects and /or other reproductive harm. Thoroughly wash hands after installing, handling, cleaning, or otherwise touching this product.

**CAUTION** - All glass is fragile, use care when handling Glass component(s) and or Lamp(s).

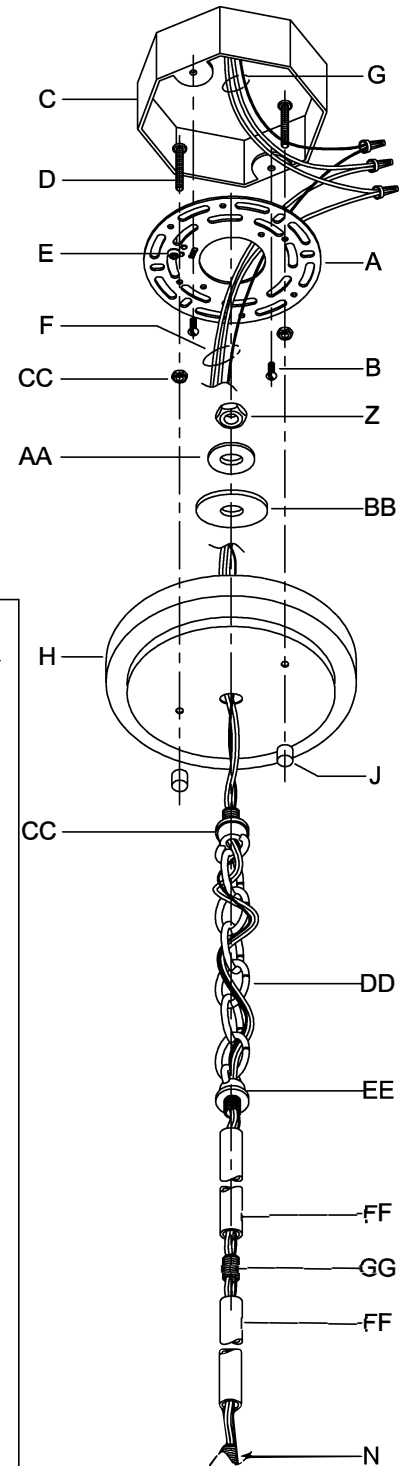
\*\*\*\*\*

### CANOPY MOUNTING & WIRE CONNECTION ASSEMBLY STEPS:

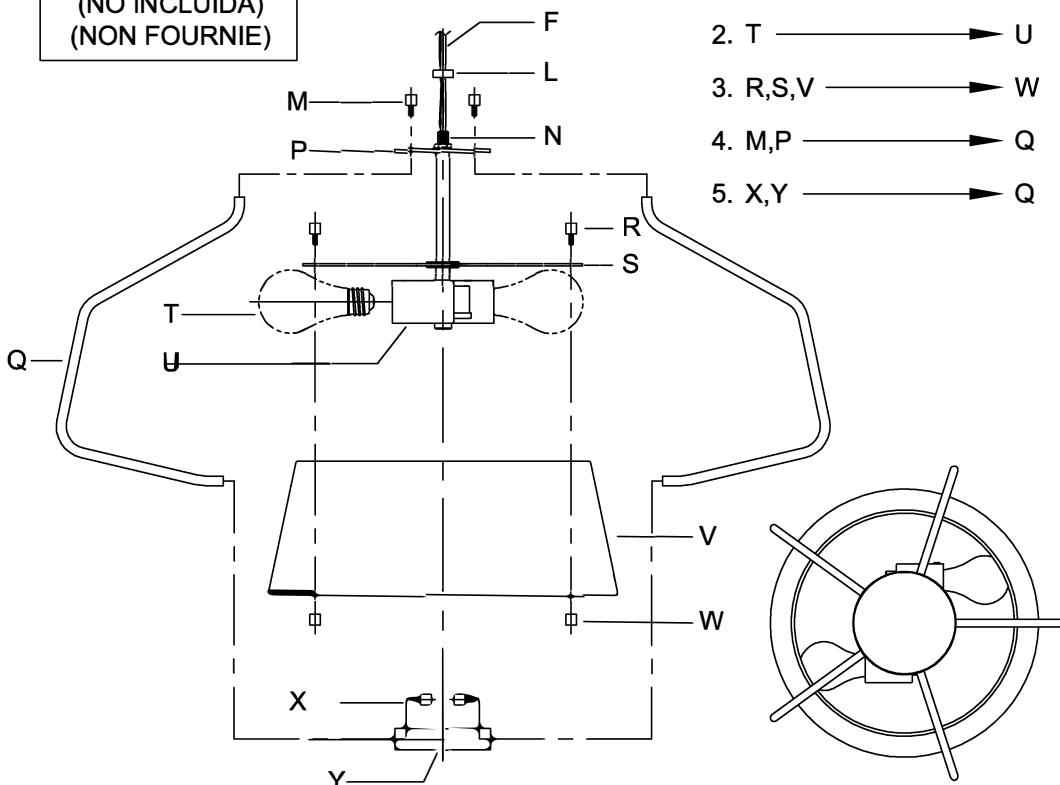
Attach (FF), (GG) to achieve overall desired length.  
 Joignez (FF), (GG) pour obtenir la longueur voulue.  
 Una (FF), (GG) para lograr la longitud deseada.



1. D,E → A
2. CC → D
3. B,A → C
4. H,BB,AA,Z → CC
5. F → FF,GG,EE
6. FF → N
7. EE → FF
8. DD → EE,CC
9. F → DD,CC
10. F → G
11. H,J → D



**B, C, G & T  
 (NOT FURNISHED)  
 (NO INCLUIDA)  
 (NON FOURNIE)**



### FIXTURE ASSEMBLY STEPS:

1. F → L
2. T → U
3. R,S,V → W
4. M,P → Q
5. X,Y → Q