

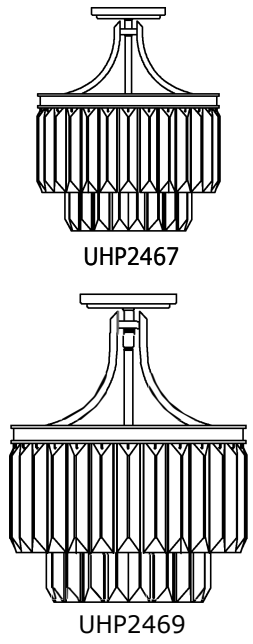
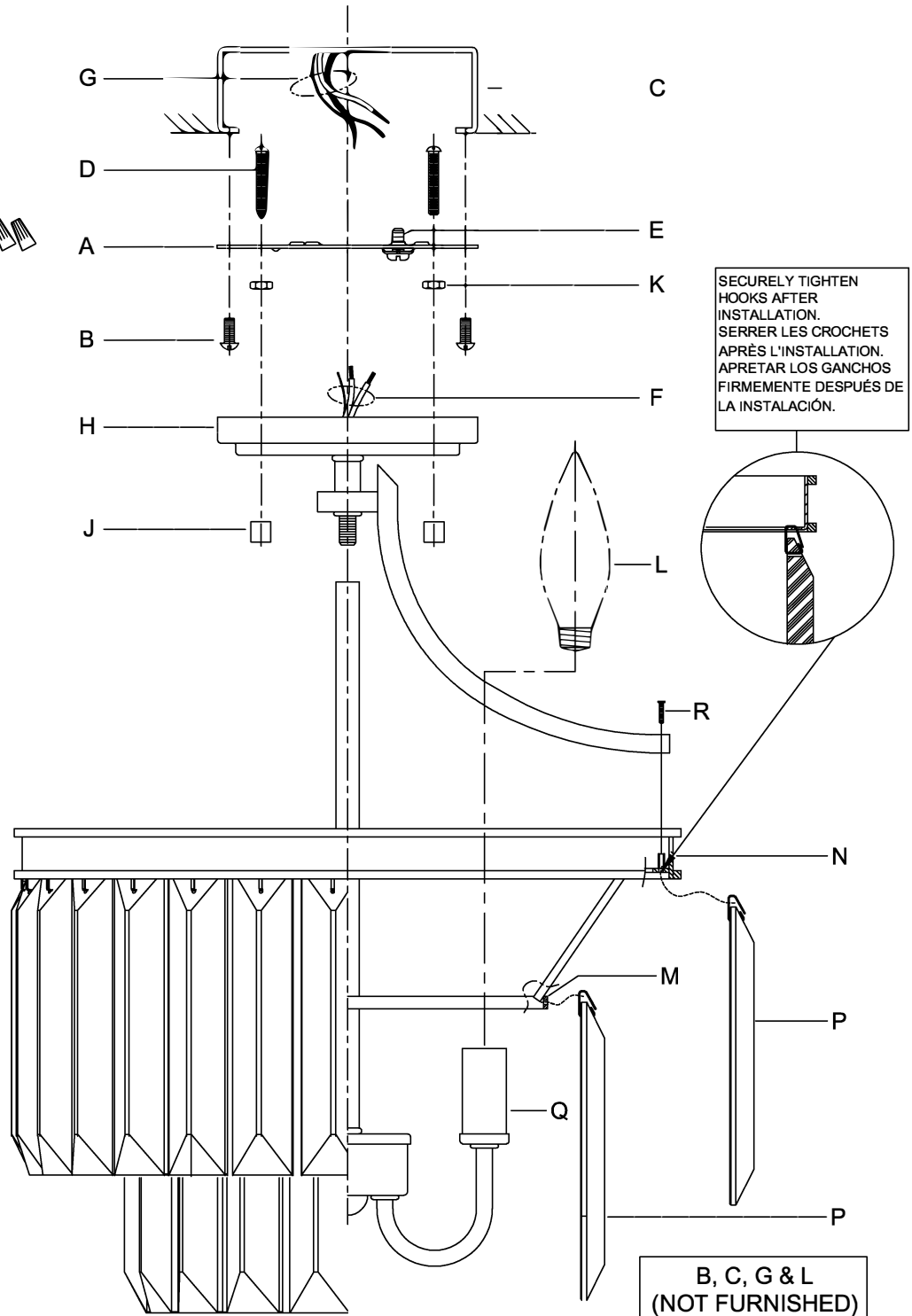
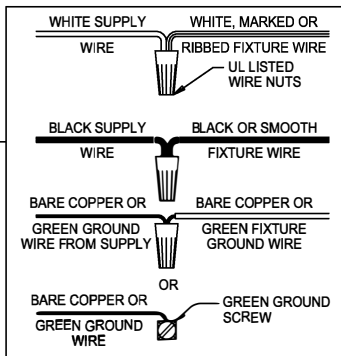
UHP2469

WARNING - If any Special Control Devices are used with this Fixture, Follow the Instructions Carefully to assure full compliance with N.E.C. requirements. If there are any questions, contact a Qualified Electrical Contractor.

CAUTION - All glass is fragile, use care when handling Glass component(s) and or Lamp(s).

ASSEMBLY STEPS:
PASOS PARA ENSAMBLAR:
MODE D'ASSEMBLAGE:

1. D,E → A
2. K → D
3. B,A → C
4. F → G
5. Q → H
6. H,R → N
7. H,J → D
8. P → N
9. P → M
10. L → Q





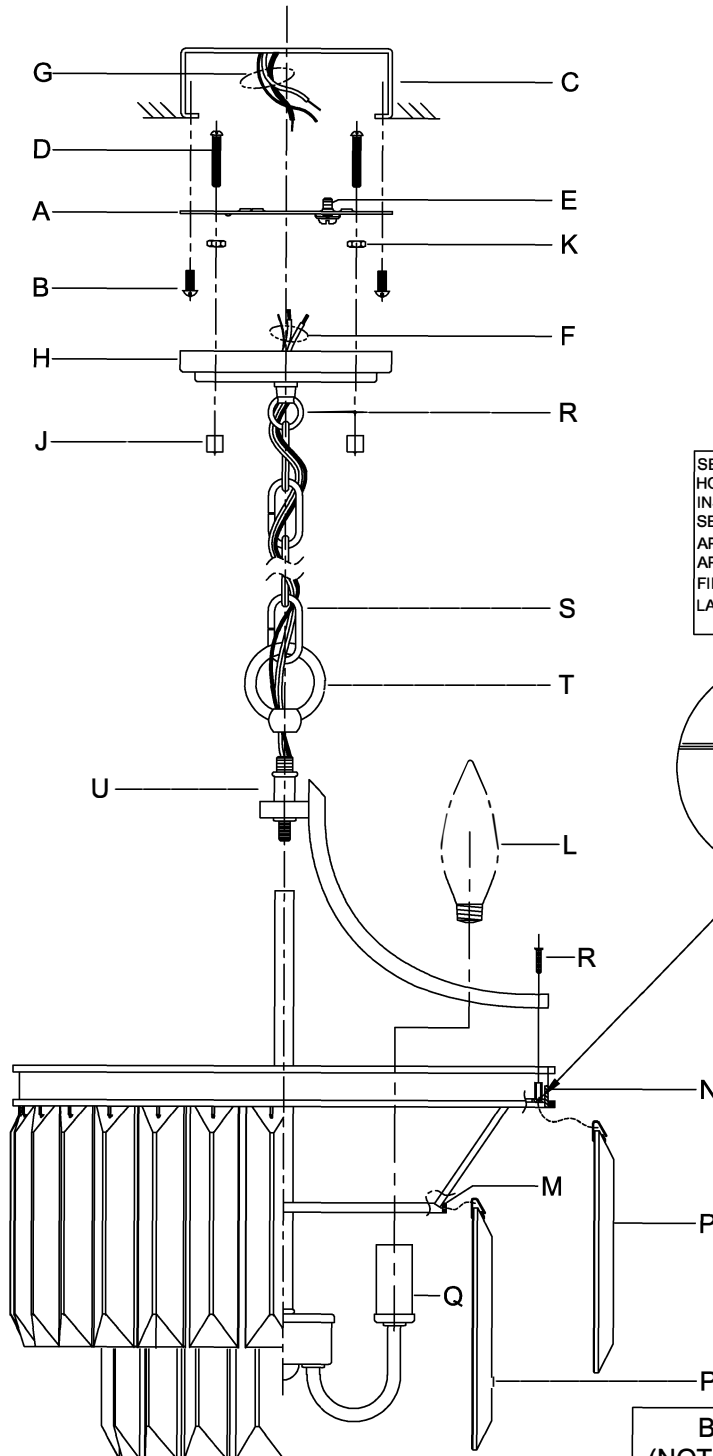
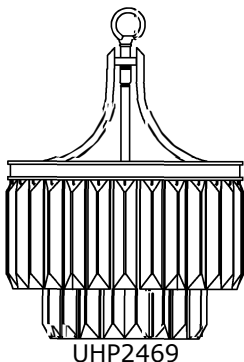
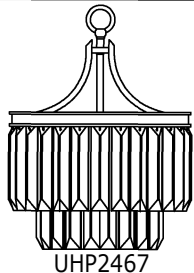
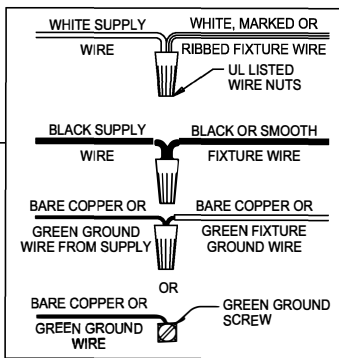
UHP2469

WARNING - If any Special Control Devices are used with this Fixture, Follow the Instructions Carefully to assure full compliance with N.E.C. requirements. If there are any questions, contact a Qualified Electrical Contractor.

CAUTION - All glass is fragile, use care when handling Glass component(s) and or Lamp(s).

ASSEMBLY STEPS:
PASOS PARA ENSAMBLAR:
MODE D'ASSEMBLAGE:

1. D,E → A
2. K → D
3. B,A → C
4. F → T,S,R
5. F → G 
6. Q → U
7. U,R → N
8. H,J → D
9. S → R,T 
10. P → N
11. P → M
12. L → Q



SECURELY TIGHTEN HOOKS AFTER INSTALLATION.
 SERRER LES CROCHETS APRÈS L'INSTALLATION.
 APRETAR LOS GANCHOS FIRMEAMENTE DESPUÉS DE LA INSTALACIÓN.

B, C, G & L
 (NOT FURNISHED)
 (NO INCLUIDA)
 (NON FOURNIE)