

## UHP2468

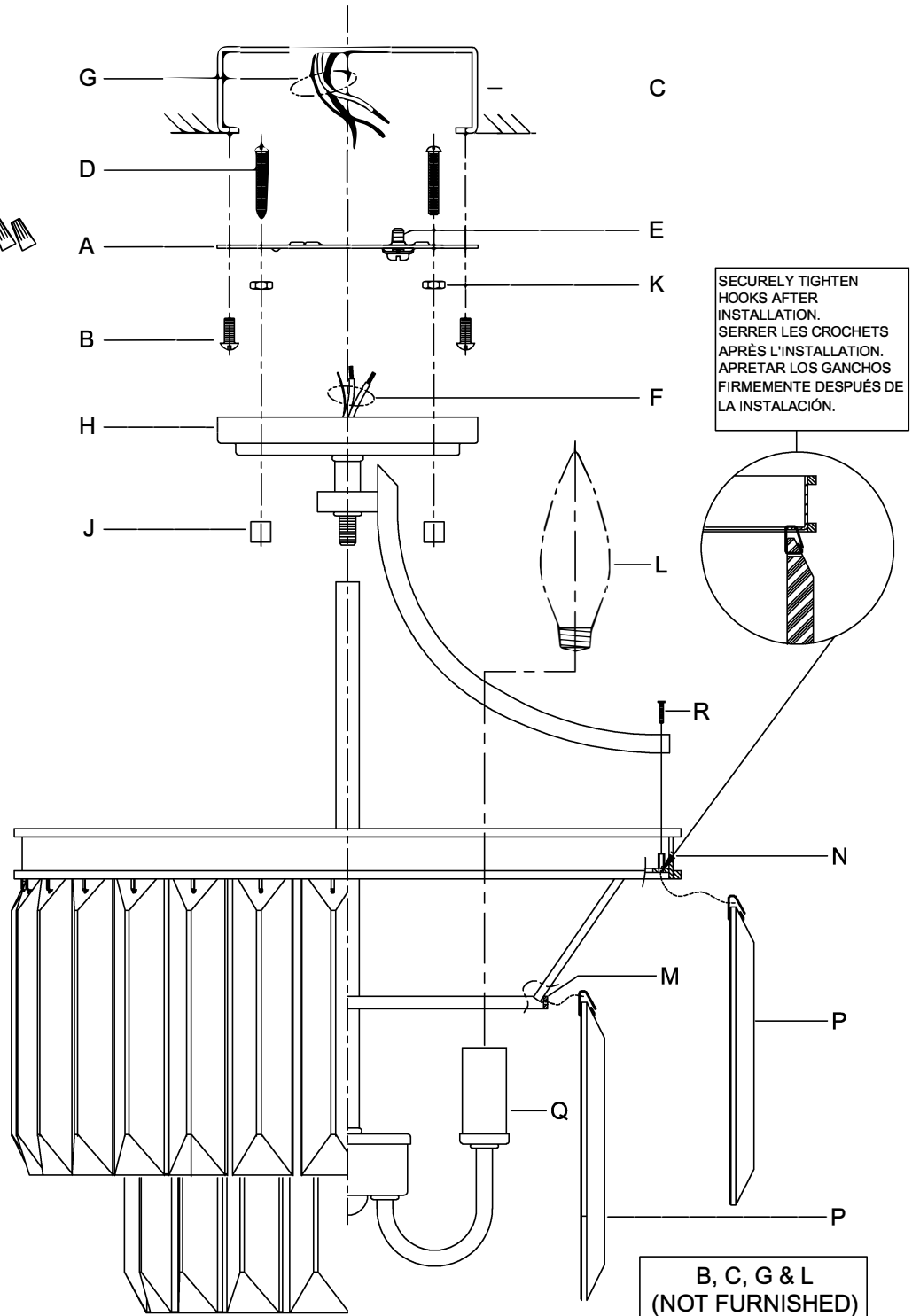
**WARNING** - If any Special Control Devices are used with this Fixture, Follow the Instructions Carefully to assure full compliance with N.E.C. requirements. If there are any questions, contact a Qualified Electrical Contractor.

**CAUTION** - All glass is fragile, use care when handling Glass component(s) and or Lamp(s).

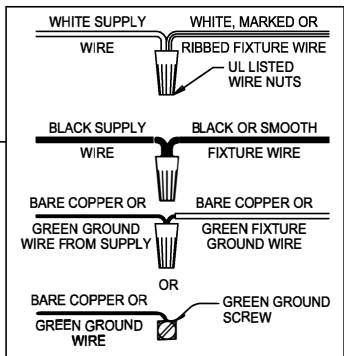
\*\*\*\*\*

**ASSEMBLY STEPS:**  
**PASOS PARA ENSAMBLAR:**  
**MODE D'ASSEMBLAGE:**

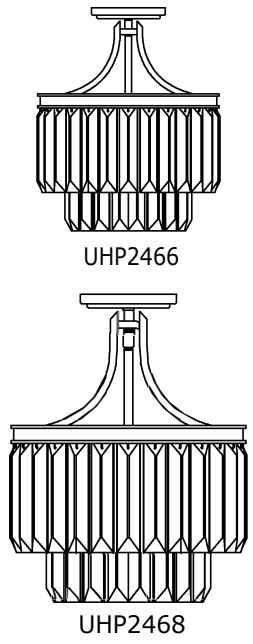
1. D,E → A
2. K → D
3. B,A → C
4. F → G
5. Q → H
6. H,R → N
7. H,J → D
8. P → N
9. P → M
10. L → Q



SECURELY TIGHTEN HOOKS AFTER INSTALLATION.  
 SERRER LES CROCHETS APRÈS L'INSTALLATION.  
 APRETAR LOS GANCHOS FIRMEAMENTE DESPUÉS DE LA INSTALACIÓN.



B, C, G & L  
 (NOT FURNISHED)  
 (NO INCLUIDA)  
 (NON FOURNIE)


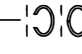


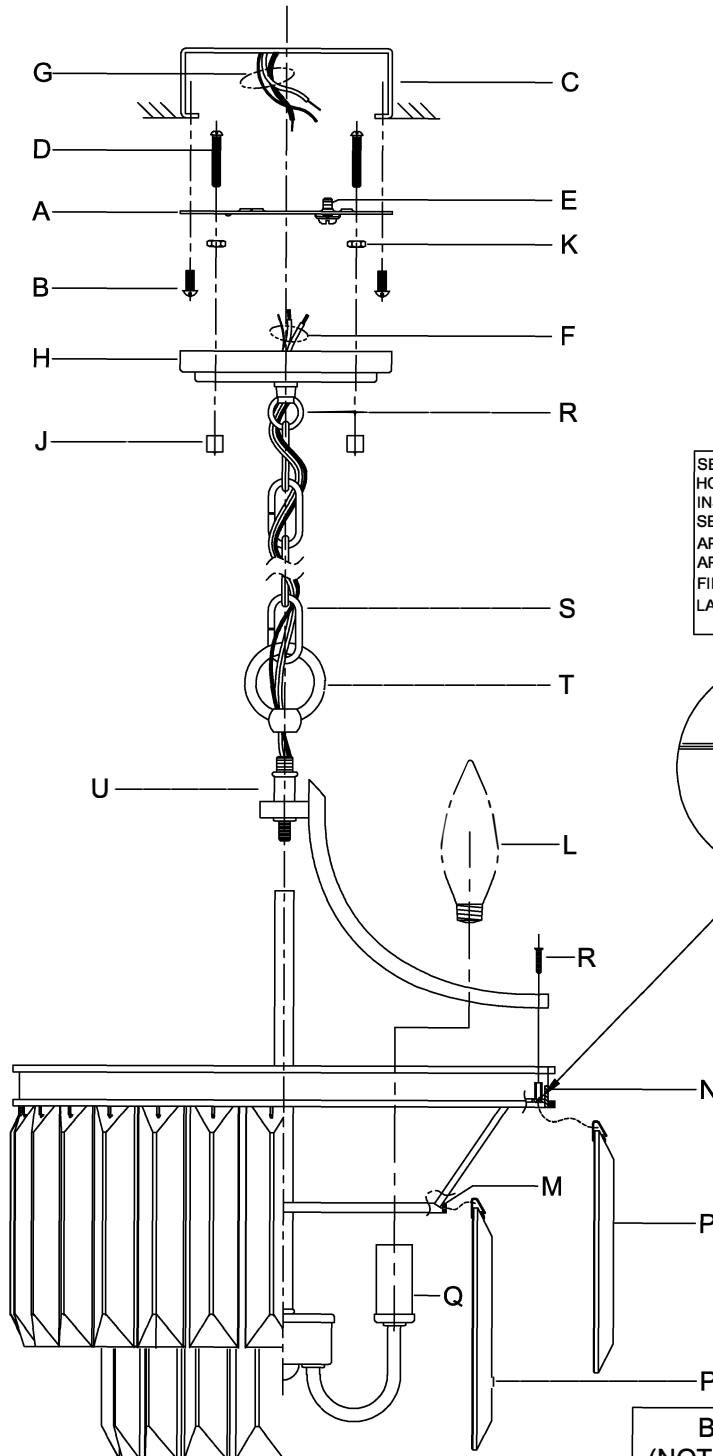
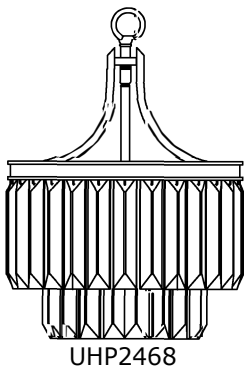
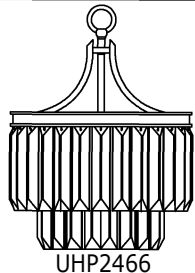
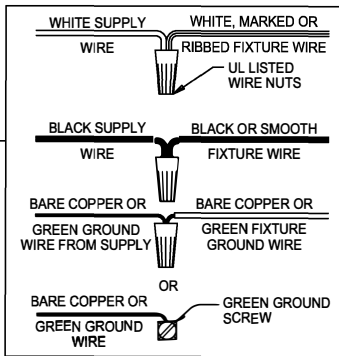
UHP2466  
 UHP2468

## UHP2468

\*\*\*\*\*  
**WARNING** - If any Special Control Devices are used with this Fixture, Follow the Instructions Carefully to assure full compliance with N.E.C. requirements. If there are any questions, contact a Qualified Electrical Contractor.  
**CAUTION** - All glass is fragile, use care when handling Glass component(s) and or Lamp(s).  
 \*\*\*\*\*

**ASSEMBLY STEPS:**  
**PASOS PARA ENSAMBLAR:**  
**MODE D'ASSEMBLAGE:**

1. D,E → A
2. K → D
3. B,A → C
4. F → T,S,R
5. F → G 
6. Q → U
7. U,R → N
8. H,J → D
9. S → R,T 
10. P → N
11. P → M
12. L → Q



SECURELY TIGHTEN HOOKS AFTER INSTALLATION.  
 SERRER LES CROCHETS APRES L'INSTALLATION.  
 APRETAR LOS GANCHOS FIRMEAMENTE DESPUES DE LA INSTALACION.

B, C, G & L  
 (NOT FURNISHED)  
 (NO INCLUIDA)  
 (NON FOURNIE)