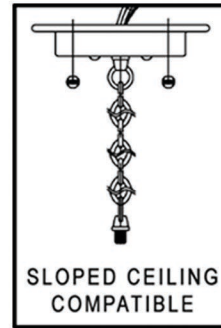


# urban ambiance

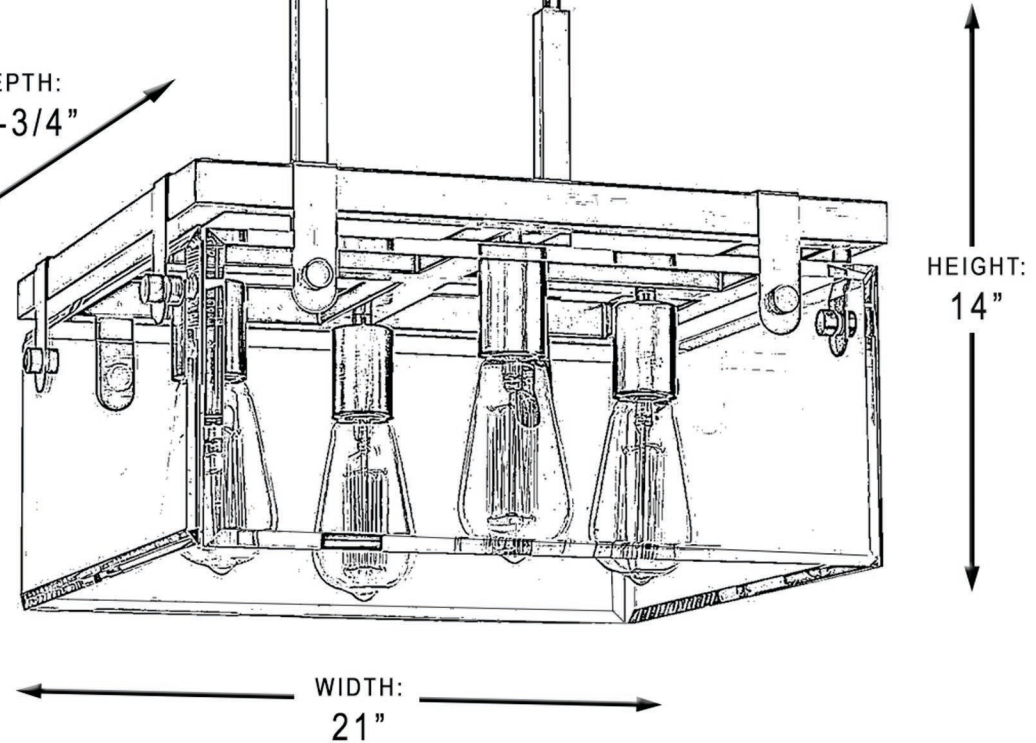
## UHP2449

### INTERIOR CHANDELIER



**DOWNRODS:**  
TWO (2): 6"  
EIGHT (8): 12"  
Use as many as needed,  
discard unused

DEPTH:  
14-3/4"



<b>Collection</b>	Bristol
<b>Finish</b>	Brushed Nickel
<b>Shade</b>	Clear
<b>Bulb Type</b>	A19 Medium Base
<b>Bulb Wattage</b>	60W
<b>Number of Bulbs</b>	4
<b>Bulbs Included</b>	NO
<b>Certification</b>	UL
<b>Rated For</b>	Dry Locations
<b>Weight</b>	18.12 Pounds
<b>Chain Length</b>	8 inches
<b>Extension Rods</b>	Two 6", Eight 12"
<b>Material Construction</b>	Steel