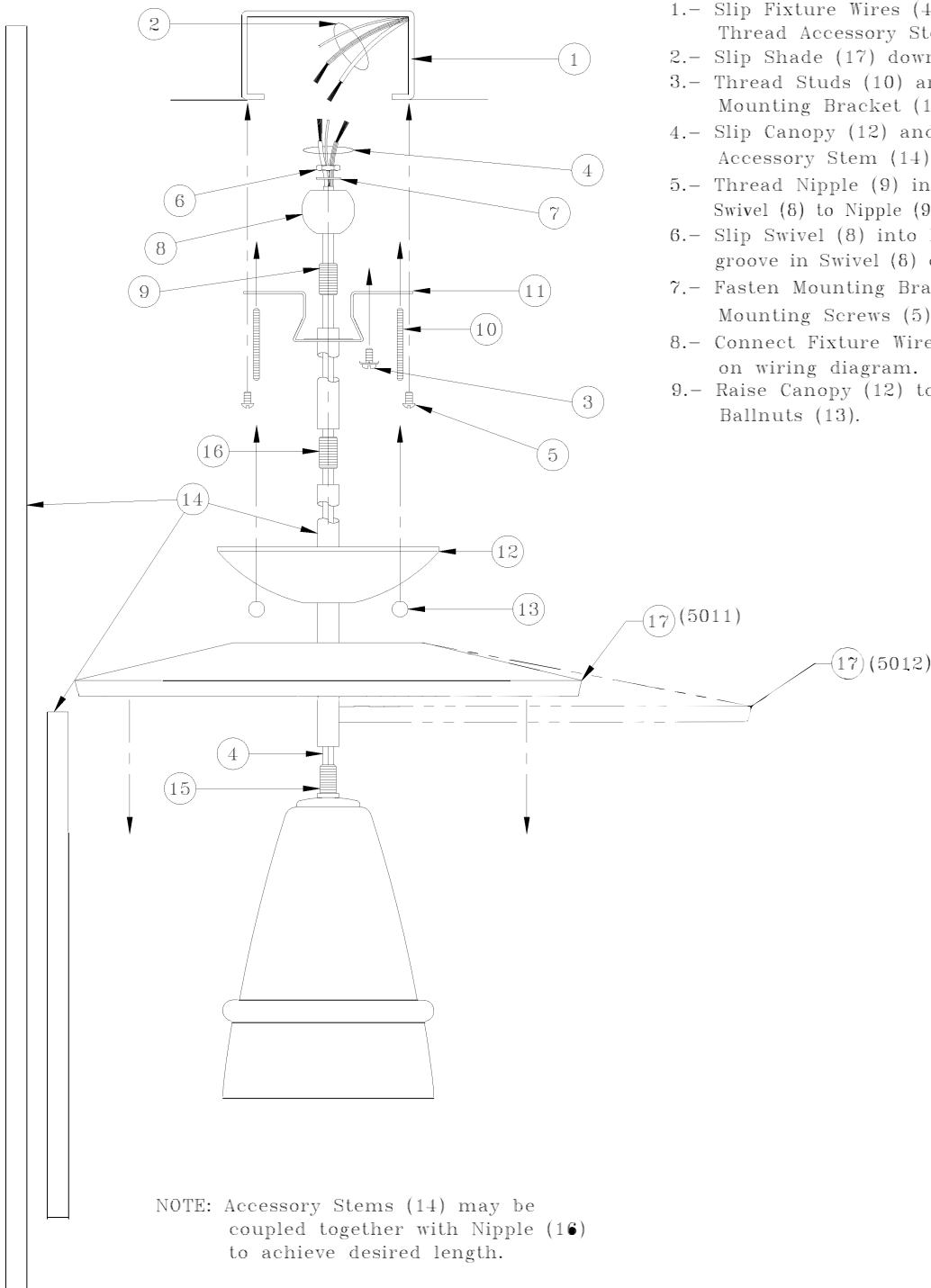


WARNING - IF ANY SPECIAL CONTROL DEVICES ARE USED WITH THIS FIXTURE, FOLLOW THE INSTRUCTIONS CAREFULLY TO ASSURE FULL COMPLIANCE WITH N.E.C. REQUIREMENTS. IF THERE ARE ANY QUESTIONS, CONTACT A QUALIFIED ELECTRICAL CONTRACTOR.

WARNING - This product contains chemicals known to the State of California to cause cancer, birth defects and /or other reproductive harm. Thoroughly wash hands after installing, handling, cleaning, or otherwise touching this product.



- 1.- Slip Fixture Wires (4) through Accessory Stem (14) and Thread Accessory Stem (14) onto Socket Nipple (15).
- 2.- Slip Shade (17) down over Accessory Stem (14).
- 3.- Thread Studs (10) and Green Ground Screw (3) into Mounting Bracket (11).
- 4.- Slip Canopy (12) and Mounting Bracket (11) down over Accessory Stem (14).
- 5.- Thread Nipple (9) into Accessory Stem (14) and secure Swivel (8) to Nipple (9) with Lockwasher (7) and Hexnut (6).
- 6.- Slip Swivel (8) into Mounting Bracket (11) making sure groove in Swivel (8) engages tab in Mounting Bracket (11).
- 7.- Fasten Mounting Bracket (11) to Outlet Box (1) with Mounting Screws (5) from Outlet Box (1).
- 8.- Connect Fixture Wires (4) to Supply Wires (2) as shown on wiring diagram.
- 9.- Raise Canopy (12) to ceiling and secure in place with Ballnuts (13).

NOTE: Accessory Stems (14) may be coupled together with Nipple (16) to achieve desired length.

