

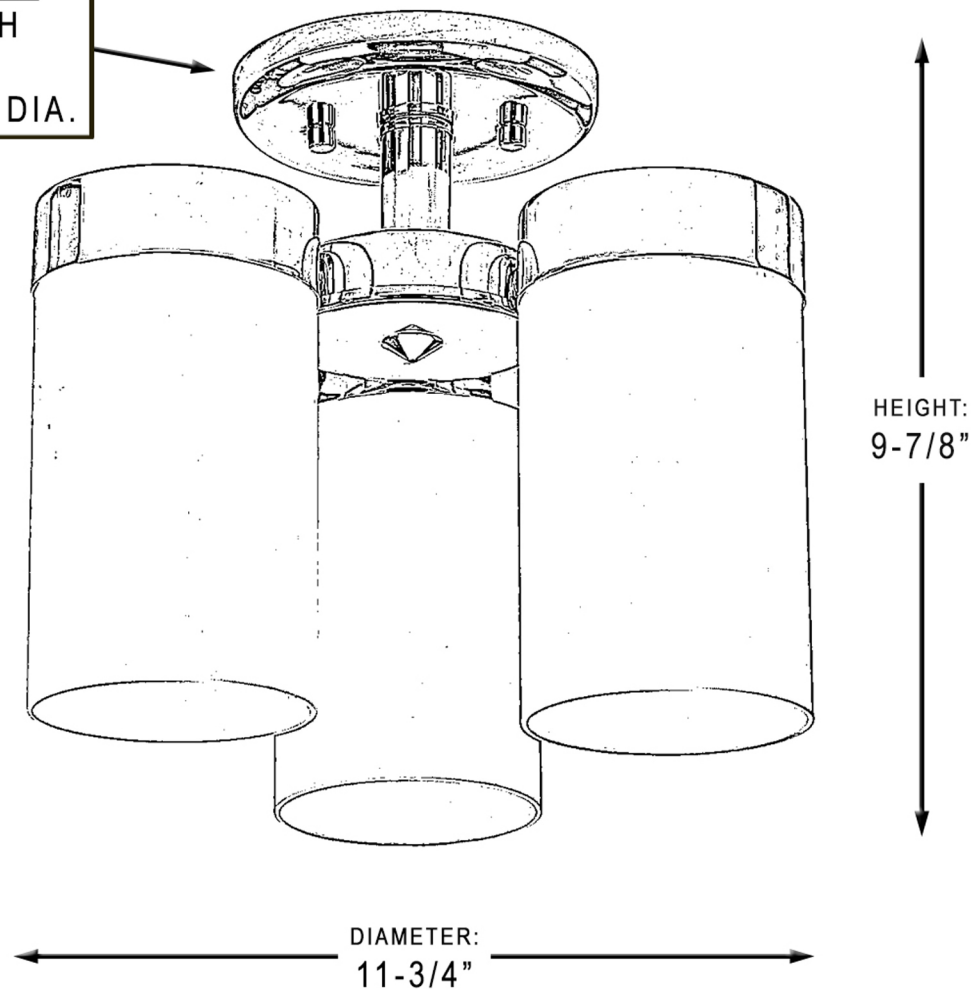
urban ambiance

UHP2297

INTERIOR CEILING FIXTURE



CANOPY:
1" H
X
5-1/4" DIA.



Collection	Madison
Finish	Brushed Bronze
Shade	Etched white
Bulb Type	A19 Medium Base
Bulb Wattage	75 W
Number of Bulbs	3
Bulbs Included	No
Certification	cCSAus
Rated For	Damp Locations
Weight	4.4 LBS
Chain Length	N/A
Extension Rods	0
Material Construction	Steel