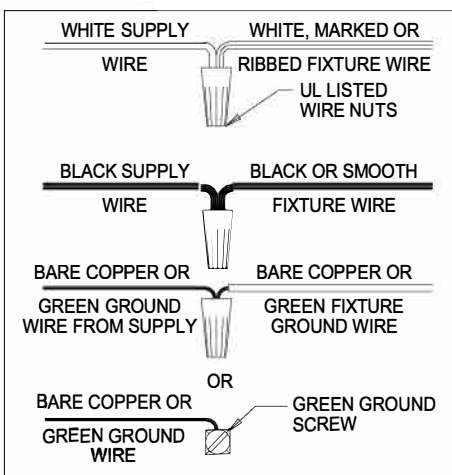
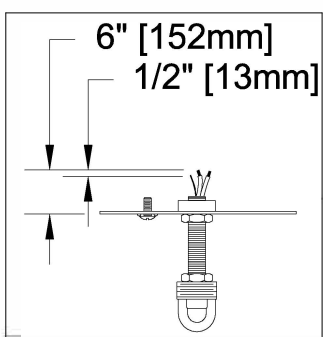

CAUTION: Risk of fire. Min. 90°C supply conductors. Consult a qualified electrician to ensure correct branch circuit conductor.

WARNING - If any Special Control Devices are used with this Fixture, Follow the Instructions Carefully to assure full compliance with N.E.C. requirements. If there are any questions, contact a Qualified Electrical Contractor.

CAUTION - All glass is fragile, use care when handling Glass component(s) and or Lamp(s).

WARNING - To comply with the National Electrical Code and Underwriters Laboratories requirements, when installed outdoors, or in wet locations, the edge of the wall plate coming in contact with the mounting surface, must be sealed with a latex waterproof caulking to prevent water from entering the outlet box.

CANOPY MOUNTING & WIRE CONNECTION ASSEMBLY STEPS:

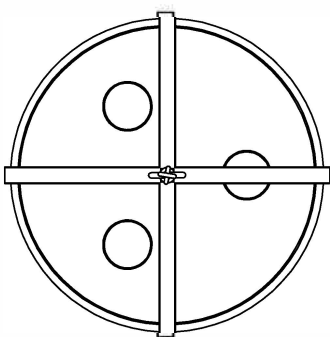


ADJUST HEIGHT WITH "D"
 N — A (TO LOCK)
 AJUSTA LA ALTURA CON "D"
 N — A (APRETAR)
 RÉGLEZ LA HAUTEUR AVEC "D"
 N — A (À VERROUILLER)

**B, C, G & S
 (NOT FURNISHED)
 (NO INCLUIDA)
 (NON FOURNIE)**

FIXTURE ASSEMBLY STEPS:

1. M → Q
2. S → T
3. R → T



1. D,E → A
2. B,A → C
3. N,P,H → D
4. P → H (TO LOCK) (À VERROUILLER) (APRETAR)
5. F → M
6. L → M
7. W → H,L
8. J,K → L
9. F → L,K,J,H,D
10. F → G
11. J,K → H

