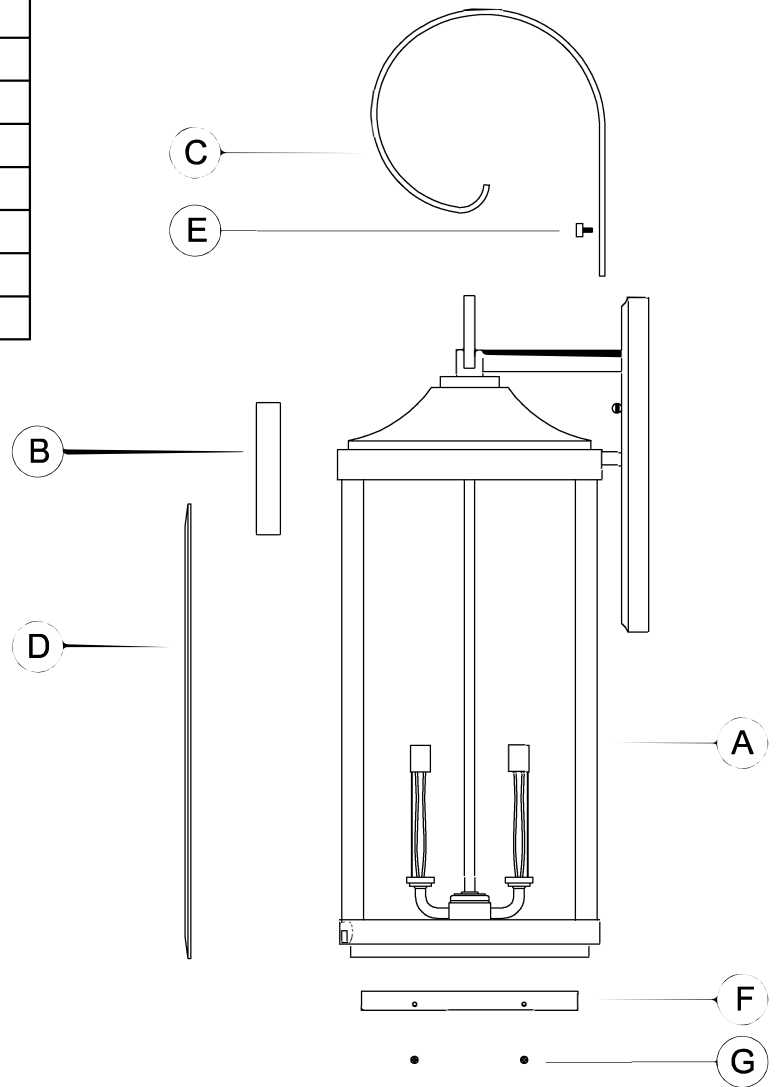


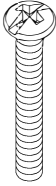
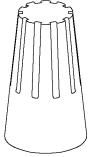
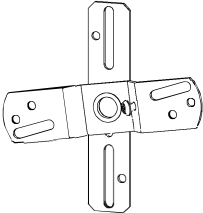

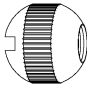

# urban ambiance

Installation Instructions: **UHP1404**

PART	DESCRIPTION	QUANTITY
A	Fixture	1
B	Candle cover	3
C	Scroll	1
D	Glass panel	4
E	Cylinder screw	1
F	Angle frame	4
G	Screw	8



## HARDWARE CONTENTS (not actual size)

<p>AA</p>  <p>Screw (#8-32) Qty:2</p>	<p>BB</p>  <p>Wire nut Qty:3</p>	<p>CC</p>  <p>Swivel mounting strap Qty:1</p>	<p>DD</p>  <p>Hex nut (#8-32) Qty:2</p>	<p>EE</p>  <p>Ball nut (#8-32) Qty:2</p>	<p>FF</p>  <p>Waterproof O-ring Qty:2</p>	
--	---	--	--	--	--	--



### Questions?

Call our Customer Care Team at 1-855-303-4229

urban ambiance

[www.urbanambiance.com](http://www.urbanambiance.com)



## Safety Information

Please read and understand this entire manual before attempting to assemble, operate or install the product.

**CAUTION:** Read instructions carefully and turn electricity off at main circuit breaker panel before beginning installation.

**CAUTION:** Risk of fire. Min. 90°C supply conductors. Consult a qualified electrician to ensure correct branch circuit conductor.

**WARNING:** If any Special Control Devices are used with this fixture, follow instructions carefully to assure full compliance with N.E.C. requirements. If there are any questions, contact a qualified electrical contractor.

**CAUTION:** All glass is fragile. Use care when handling glass shades and bulbs.

**WARNING -** To comply with the National Electrical Code and Underwriters Laboratories requirements, when installed outdoors, or in wet locations, the edge of the wall plate coming in contact with the mounting surface, must be sealed with a latex waterproof caulking to prevent water from entering the outlet box.

## Preparation

1. Before beginning installation, make sure all parts are included using the contents diagrams from page 1. If any part is missing or damaged, do not attempt to assemble, install or operate the product.
2. Estimated assembly time: 30 minutes.
3. Tools required for assembly (not included): Phillips screwdriver, pliers, wire stripper, safety glasses, electrical tape, ladder.

## Care and Maintenance

Shut off main power supply before cleaning product or changing light bulbs. To clean, wipe with damp cloth. Do not use abrasive cleaners or cleaners that contain alcohol.

## Assembly Instructions

1

2

1. Screw screw (AA) onto Swivel mounting strap (CC) and use hex nut (DD) to secure it tight.

### Hardware Used

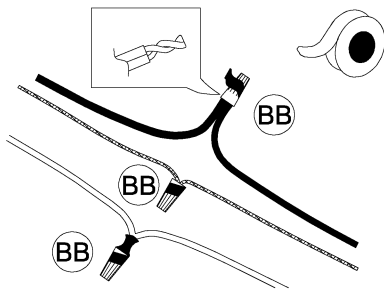
<div style="border: 1px solid black; border-radius: 50%; width: 20px; height: 20px; display: flex; align-items: center; justify-content: center;">AA</div>	Screw		X2
<div style="border: 1px solid black; border-radius: 50%; width: 20px; height: 20px; display: flex; align-items: center; justify-content: center;">CC</div>	Swivel mounting strap		X1
<div style="border: 1px solid black; border-radius: 50%; width: 20px; height: 20px; display: flex; align-items: center; justify-content: center;">DD</div>	Hex nut		X2

2

2. Attach assembled parts from step 1 onto outlet box using the mounting screws supplied with the outlet box (not included).

# Assembly Instructions

3

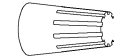


3. Strip 3/8" of insulation from the electrical wire ends. Using wire nuts (BB), connect white fixture wire to the white supply wire from the outlet box; connect the black fixture wire to the black supply wire.

Connect the fixture ground wire and supply ground wire using a wire nut or by fastening to the ground screw on the swivel mounting strap. Push all wire connections into the outlet box.

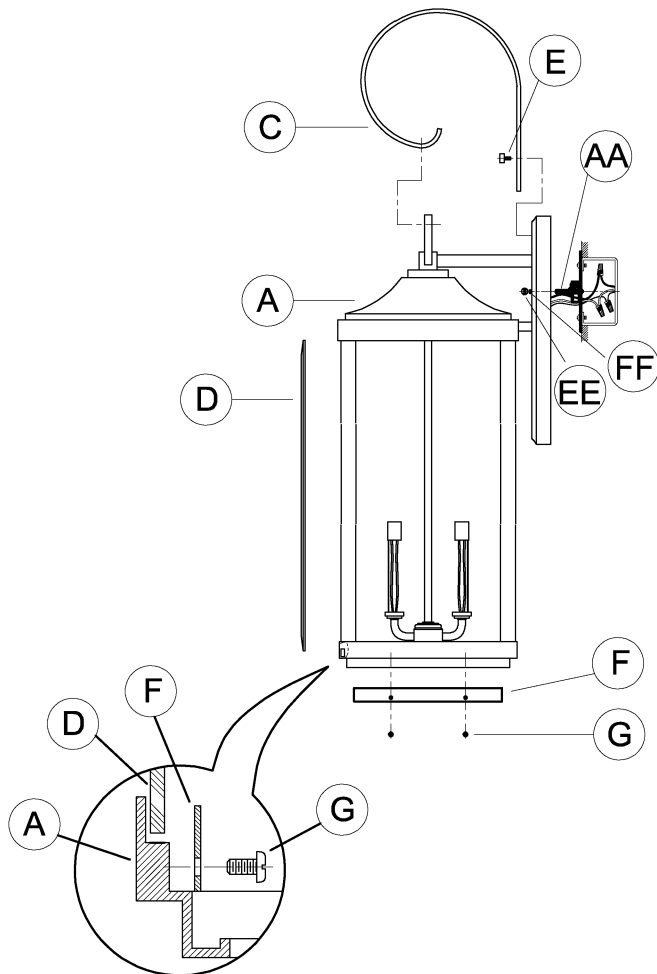


Wire nut



X3

4



4. Put one end of the scroll (C) through the fixture (A), then attach other end to the canopy using the cylinder screw (E) to secure tightly. Install fixture (A) to screw (AA) using ball nut (EE) and waterproof o-ring (FF).

Insert the glass panels (D) into the fixture (A) and use the screws (G) to attach the angle frame (F) to the fixture and secure the glass panels (D).



Ball nut



X2



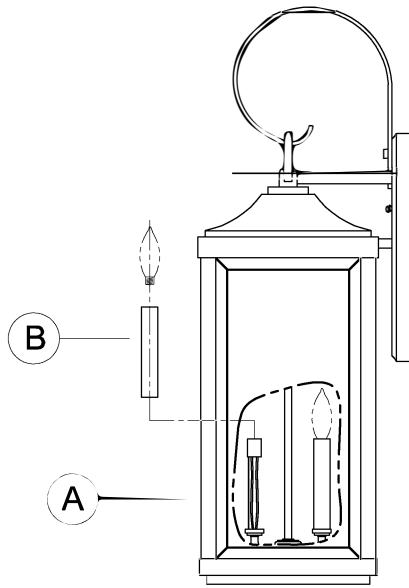
Waterproof O-ring



X2

# Assembly Instructions

5



5. Attach candle covers (B) to fixture (A).  
Screw lamps (not included) into fixture sockets.  
Use 60-watt MAX incandescent candelabra base lamp, SBCFL  
or SBLED.



**Questions?**

Call our Customer Care Team at 1-855-303-4229

urban ambiance

[www.urbanambiance.com](http://www.urbanambiance.com)