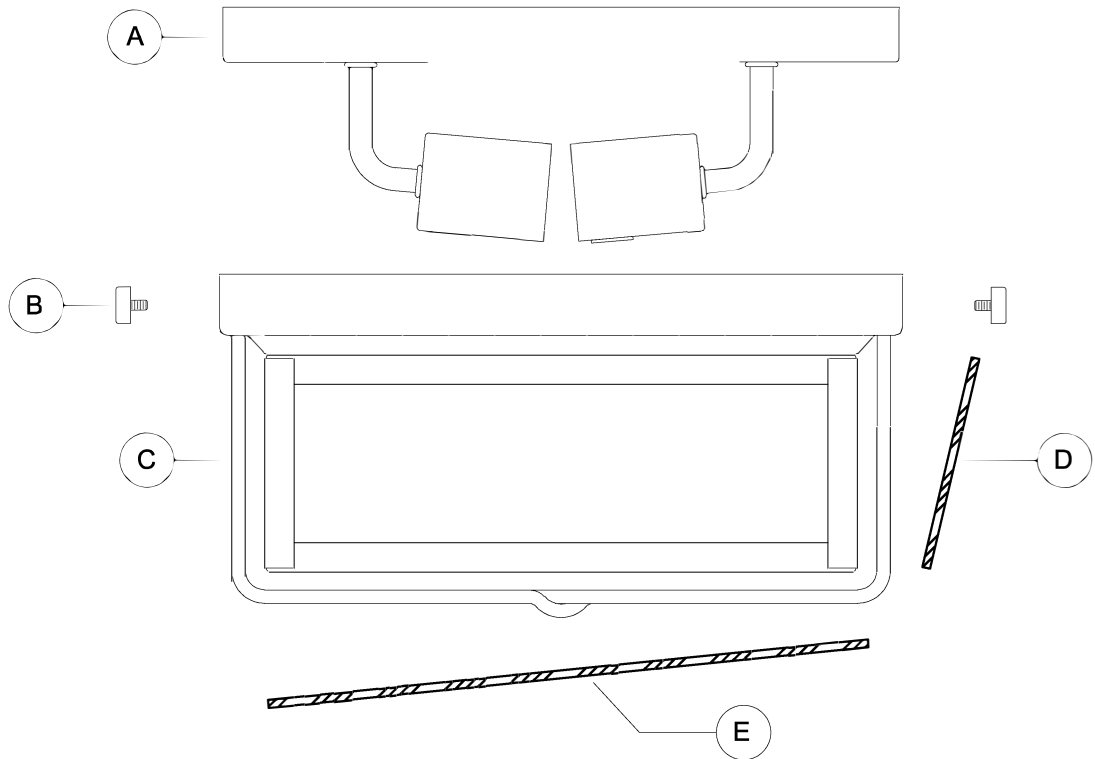


PART	DESCRIPTION	QUANTITY
A	Canopy Assembly	1
B	Drum nut	2
C	Decorative Frame	1
D	Side glass panel	4
E	Bottom glass panel	1



HARDWARE CONTENTS (not actual size)

AA	BB	CC	DD	EE	FF	GG
Nipple (1/8IP)	Lock washer (1/8IP)	Mounting plate (1/8IP)	Hex nut (1/8IP)	Cylinder Knob (1/8IP)	Wire nut	GLASS CHANNEL
Qty:1	Qty:1	Qty:1	Qty:1	Qty:1	Qty:3	Qty:4



Questions?

Call our Customer Care Team at 1-855-303-4229

urban ambiance

www.urbanambiance.com



Safety Information

Please read and understand this entire manual before attempting to assemble, operate or install the product.

CAUTION: Read instructions carefully and turn electricity off at main circuit breaker panel before beginning installation.

CAUTION: Risk of fire. Min. 90°C supply conductors. Consult a qualified electrician to ensure correct branch circuit conductor.

WARNING: If any Special Control Devices are used with this fixture, follow instructions carefully to assure full compliance with N.E.C. requirements. If there are any questions, contact a qualified electrical contractor.

CAUTION: All glass is fragile. Use care when handling glass shades and bulbs.

Preparation

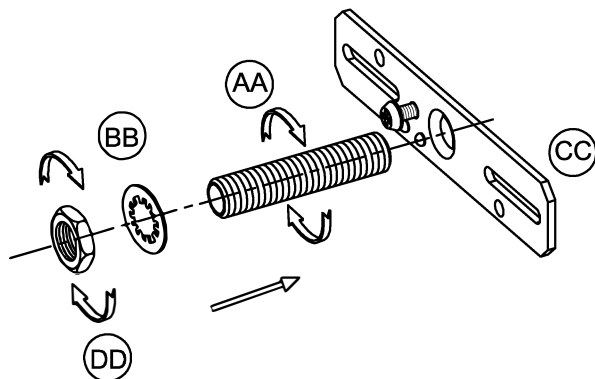
1. Before beginning installation, make sure all parts are included using the contents diagrams from page 1. If any part is missing or damaged, do not attempt to assemble, install or operate the product.
2. Estimated assembly time: 30 minutes.
3. Tools required for assembly (not included): Phillips screwdriver, pliers, wire stripper, safety glasses, electrical tape, ladder.

Care and Maintenance

Shut off main power supply before cleaning product or changing light bulbs. To clean, wipe with damp cloth. Do not use abrasive cleaners or cleaners that contain alcohol.





Assembly Instructions

1

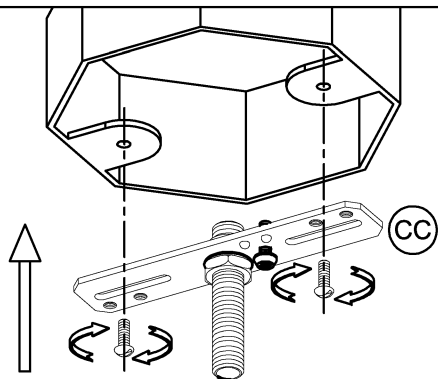


1. Screw nipple (AA) and lock washer(BB), hex nut (DD) onto mounting plate (CC).

Hardware Used

(AA)	Nipple		X1
(BB)	Lock washer		X1
(CC)	Mounting plate		X1
(DD)	Hex nut		X1

2



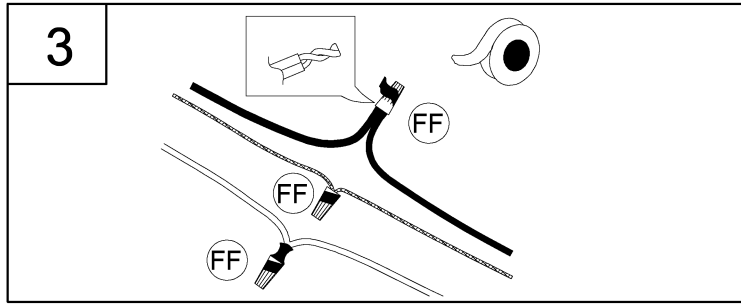
2. Attach assembled parts from Step 1 onto junction box, using the mounting screws supplied with the junction box (not included).

Assembly Instructions

3. Strip 3/8" of insulation from the electrical wire ends. Using wire nuts (FF), connect white fixture wire to the white supply wire from the junction box; connect the black fixture wire to the black supply wire.

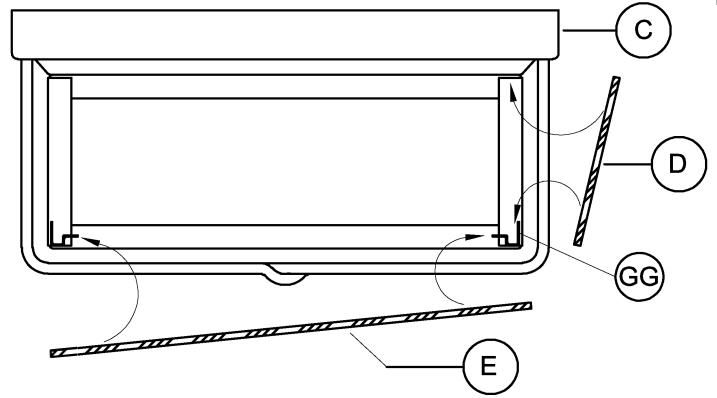
Connect the fixture ground wire and supply ground wire using a wire nut or by fastening to the ground screw on the round mounting plate. Push all wire connections into the outlet box.

FF Wire nut X3



5. Attach bottom glass panel (E) into decorative frame (C) and secure in place with glass channel (GG). Place side glass panels (D) into glass channel (GG) and decorative frame (C). Secure in place by bending over the small metal tabs.

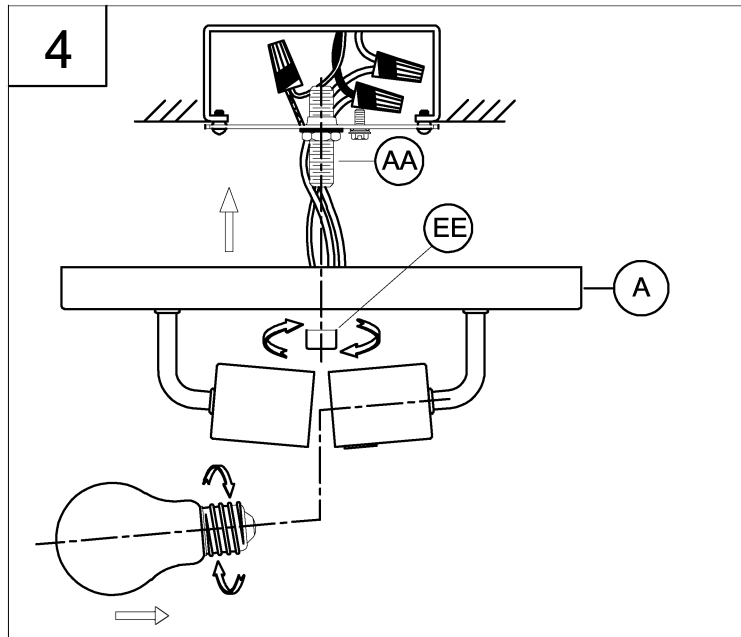
5



4. Attach canopy assembly (A) to nipple (AA) using cylinder knob (EE) secure tightly.

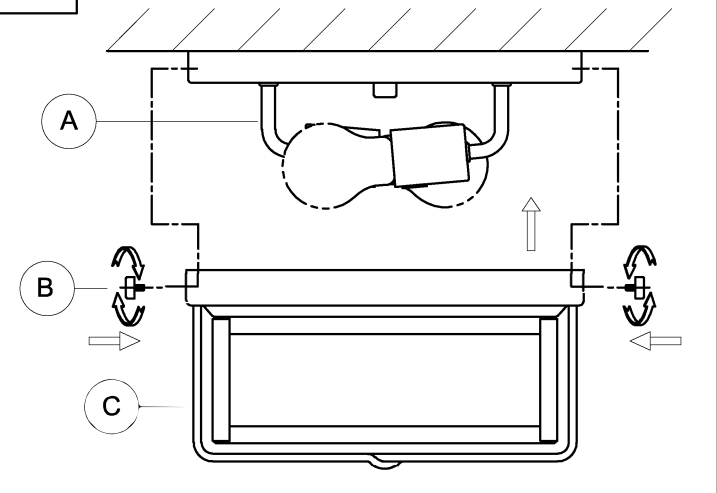
Screw two lamps (not included) into fixture sockets. Use 60-watt MAX incandescent medium base lamps, SBCFL or SBLED.

EE Cylinder knob X1



6. Attach decorative frame (C) to canopy assembly (A) using (2) drum nuts (B) secure tightly.

6



Questions?

Call our Customer Care Team at 1-855-303-4229

urban ambiance

www.urbanambiance.com