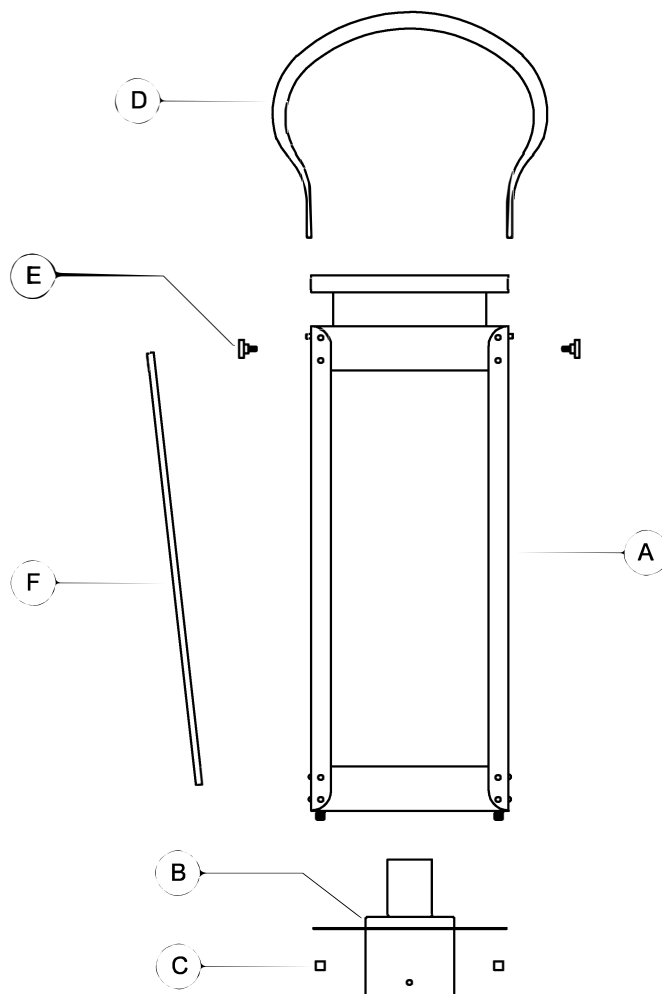




# urban ambiance

Installation Instructions: **UHP1270**

PART	DESCRIPTION	QUANTITY
A	Lamp body	1
B	Fixture	1
C	Cylinder nut	4
D	Handle	1
E	Round nut	2
F	Glass panel	4



## HARDWARE CONTENTS (not actual size)

		
<p>Mounting screw</p> <p>Qty:3</p>	<p>Wire nut</p> <p>Qty:3</p>	

### Questions?

Call our Customer Care Team at 1-855-303-4229

urban ambiance

[www.urbanambiance.com](http://www.urbanambiance.com)