

UHP1150

WARNING - If any Special Control Devices are used with this Fixture, Follow the Instructions Carefully to assure full compliance with N.E.C. requirements. If there are any questions, contact a Qualified Electrical Contractor.




WARNING - This product contains chemicals known to the State of California to cause cancer, birth defects and /or other reproductive harm. Thoroughly wash hands after installing, handling, cleaning, or otherwise touching this product.

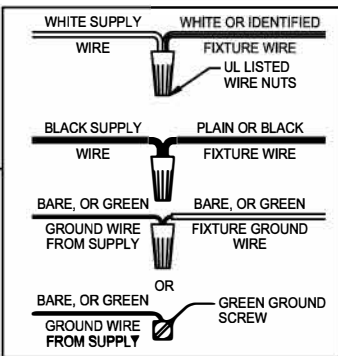
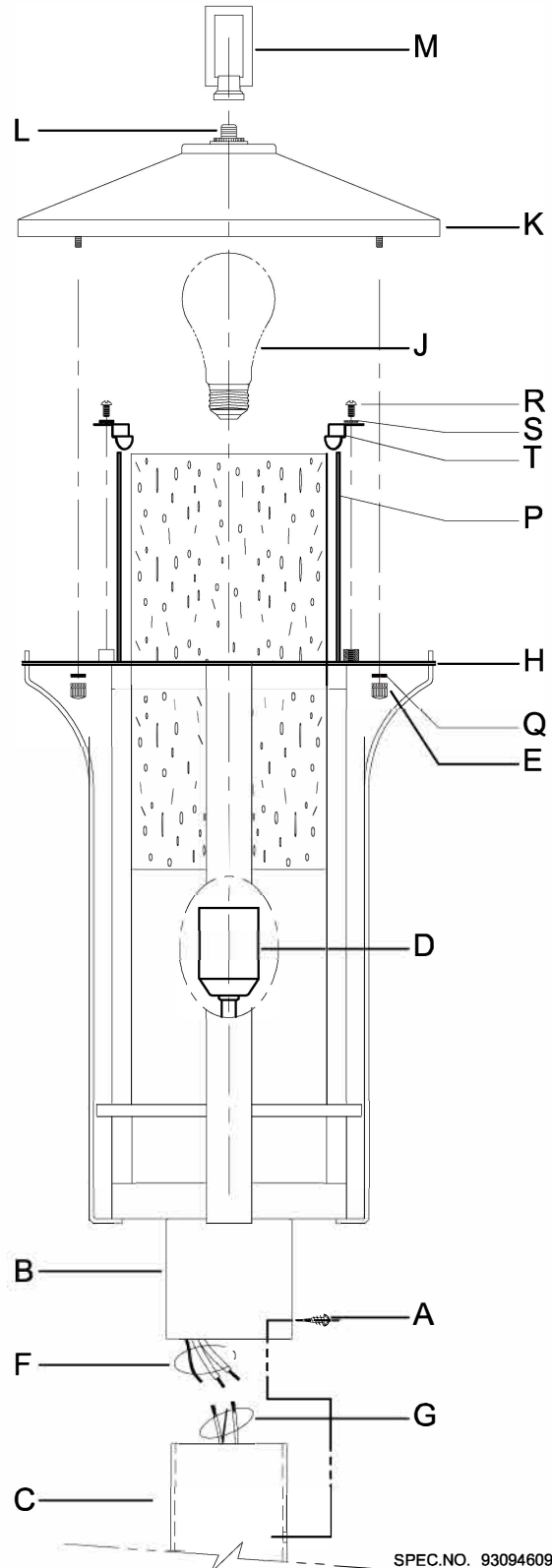
CAUTION - All glass is fragile, use care when handling Glass component(s) and or Lamp(s).

ASSEMBLY STEPS:

PASOS PARA ENSAMBLAR:

MODE D'ASSEMBLAGE:

1. B → C
2. Ø (0.144)(3.6mm) → 
3. C ← B
4. Ø (0.144)(3.6mm) → 
5. F → G 
6. B → C
7. A → B,C
8. J → D
9. R,S,T,P → H
9. E,Q,H → K
10. M → L



**C, G & J
 (NOT FURNISHED)
 (NO INCLUIDA)
 (NON FOURNIE)**