

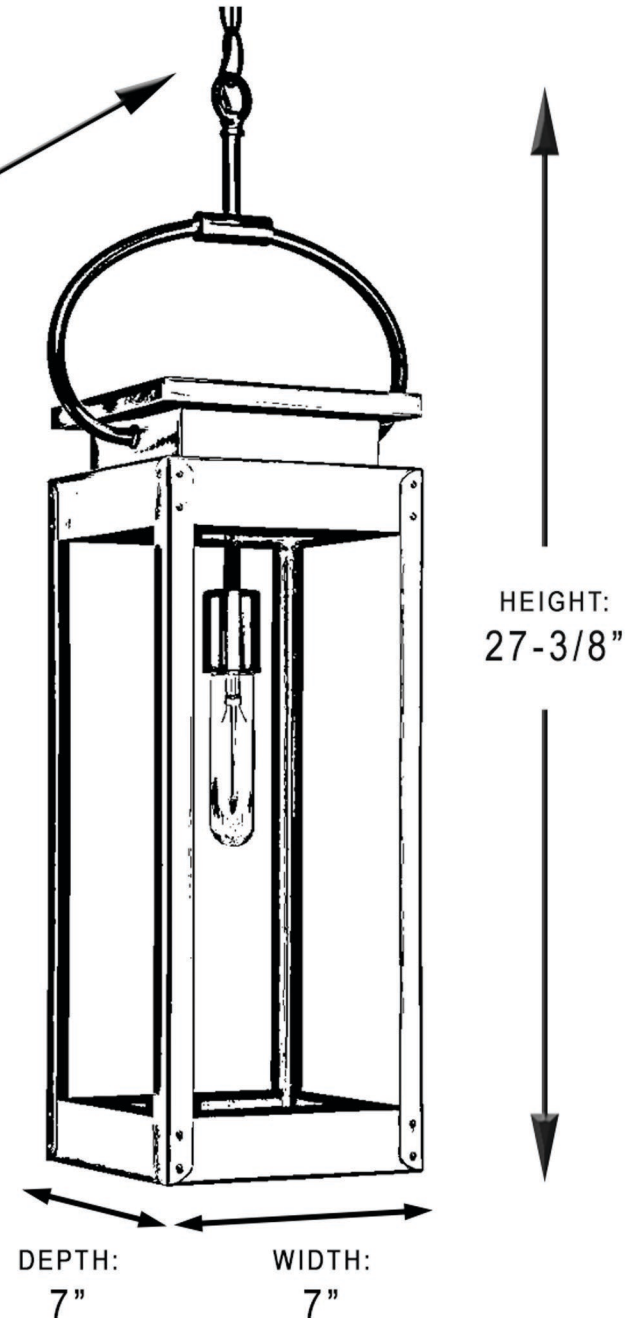
# urban ambiance

## UHP1134

### EXTERIOR PENDANT LANTERN



CHAIN LENGTH:  
72"  
(INCLUDED)



<b>Collection</b>	Darwin
<b>Finish</b>	Stainless Steel
<b>Shade</b>	None
<b>Bulb Type</b>	E26 Medium Base
<b>Bulb Wattage</b>	100W
<b>Number of Bulbs</b>	1
<b>Bulbs Included</b>	NO
<b>Certification</b>	UL
<b>Rated For</b>	Damp Locations
<b>Weight</b>	5.07 Pounds
<b>Chain Length</b>	6 Feet
<b>Extension Rods</b>	N/A
<b>Material Construction</b>	Stainless Steel