

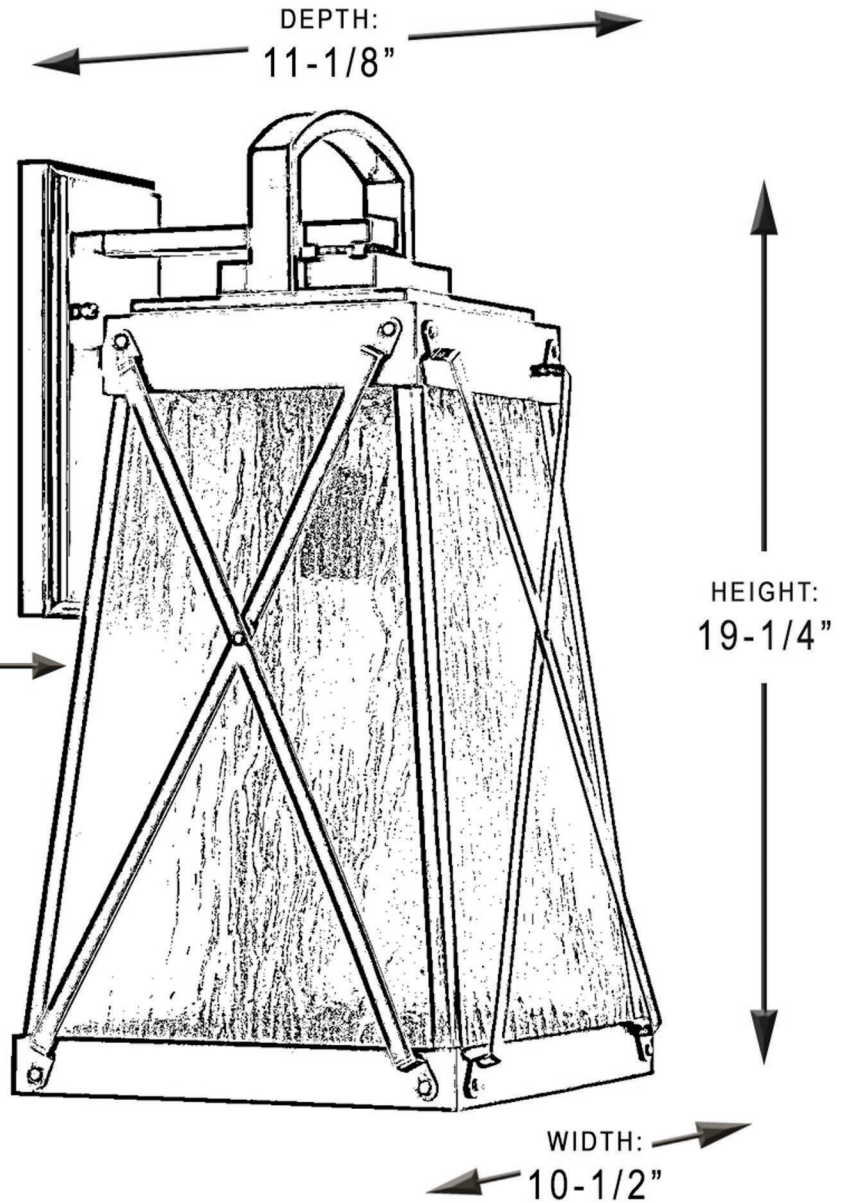
urban ambiance

UHP1054

EXTERIOR WALL SCONCE



BACKPLATE:
9-1/8" H
X
4-1/2" W



| | |
|------------------------------|-----------------|
| Collection | Saint Paul |
| Finish | Olde Bronze |
| Shade | Clear Water |
| Bulb Type | A19 Medium Base |
| Bulb Wattage | 100W |
| Number of Bulbs | 1 |
| Bulbs Included | NO |
| Certification | CSA(US) |
| Rated For | Wet Locations |
| Weight | 7.94 Pounds |
| Chain Length | N/A |
| Extension Rods | N/A |
| Material Construction | Aluminum |