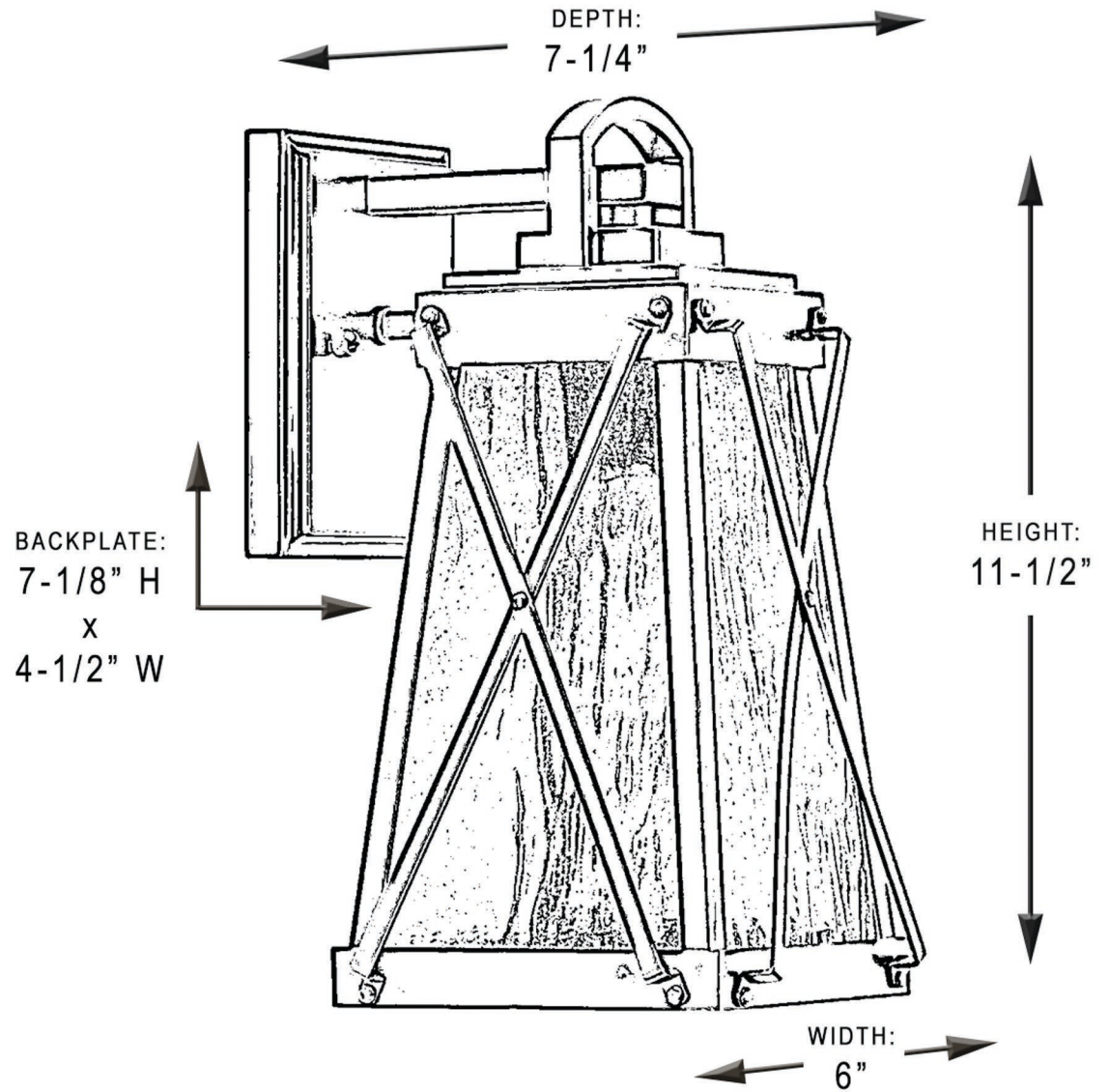


urban ambiance

UHP1050

EXTERIOR WALL SCONCE



Collection	Saint Paul
Finish	Olde Bronze
Shade	Clear Water
Bulb Type	A19 Medium Base
Bulb Wattage	100W
Number of Bulbs	1
Bulbs Included	NO
Certification	CSA(US)
Rated For	Wet Locations
Weight	3.2 Pounds
Chain Length	N/A
Extension Rods	N/A
Material Construction	Aluminum