

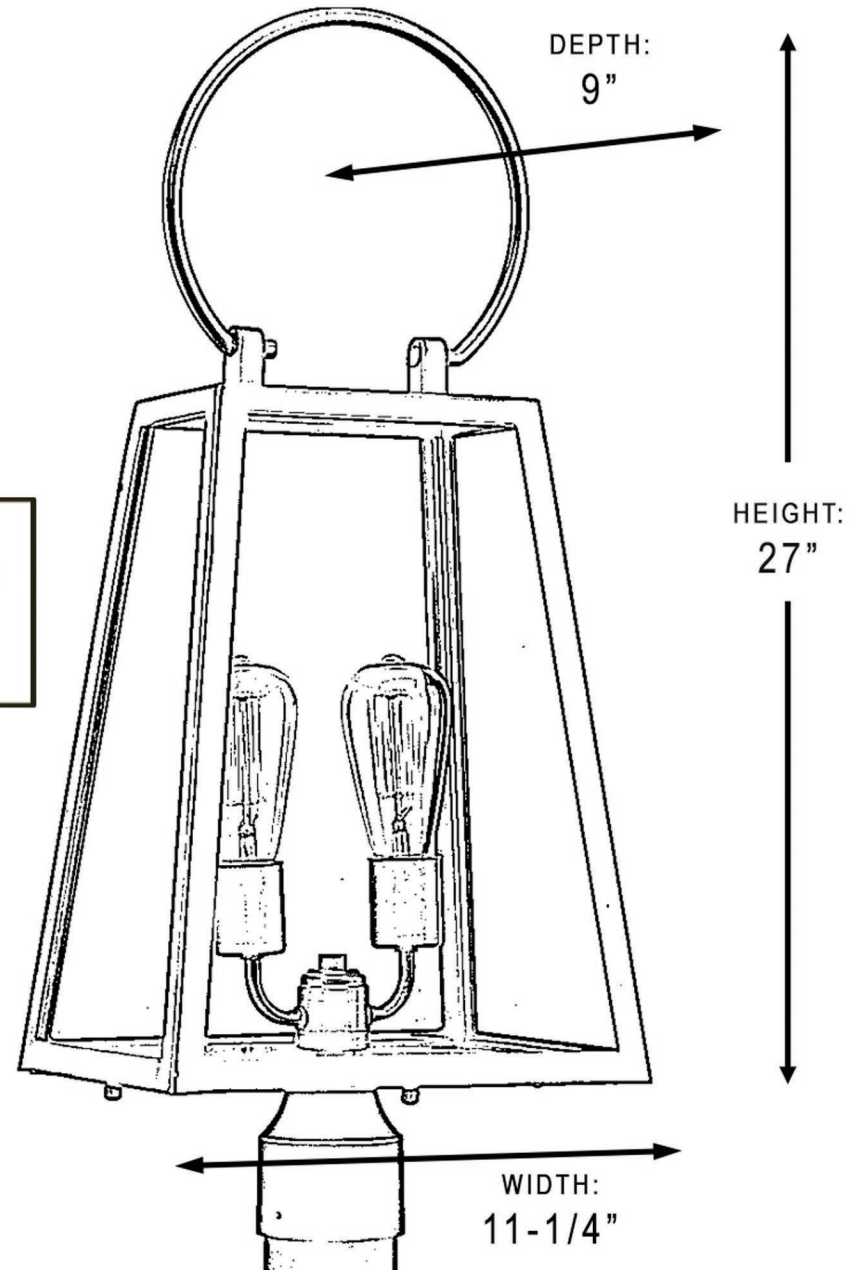
urban ambiance

UHP1004

EXTERIOR POST/PIER LIGHT



POST MOUNT:
ACCEPTS 3"
POSTS.



Collection	Vincenza
Finish	Olde Bronze
Shade	Clear
Bulb Type	A19 Medium Base
Bulb Wattage	60
Number of Bulbs	2
Bulbs Included	NO
Certification	cCSA(US)
Rated For	Wet Locations
Weight	5.06 Pounds
Chain Length	N/A
Extension Rods	N/A
Material Construction	Aluminum