

Tools Required: Flathead screwdriver, Phillips screwdriver, pliers, wire strippers, electrical tape, safety glasses

Bulb Recommended: Candelabra Base 60W Maximum

Estimated Assembly Time: 30-40 minutes

Preparation: Identify and inspect all parts before beginning installation. Check package content list and diagram below to be sure all parts are present. If any parts are missing or damaged, do not assemble, install or operate the fixture. Contact customer service for replacement parts.

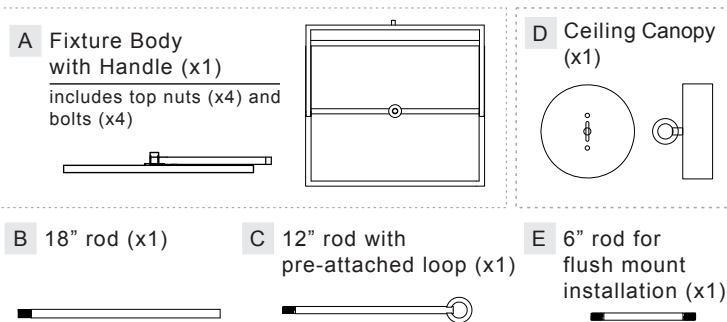
⚠ Warnings and Cautions

Turn off electricity at circuit breaker or main fuse box before installation. Consult a licensed electrician if in doubt.

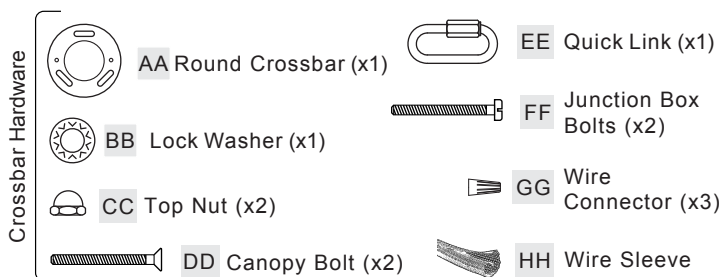
These instructions are provided for your safety. It is very important you read them completely before installing the fixture. We strongly recommend that a licensed, professional electrician perform the installation.

Disconnect fixture from power source before replacing bulbs. Make sure bulbs are given sufficient time to cool before removal.

Package Contents



Hardware Contents



STEP 1 - Assemble Fixture Body and Fixture Handle together

- Pull the slack wire (black and white) and ground wire and passed from the rod (B).
- Thread the rod (B) over the handle of the fixture body (A).
- Pull the slack wire (black and white) and ground wire and passed from rod (C).
- Thread the rod (C) into rod (B).
- Wrap exposed wires with sleeve (HH)
- Use the Quick link (D) to attach over rod (C).
- Braid wire with sleeve through the loop and Quick Link

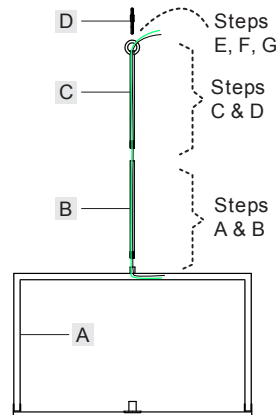


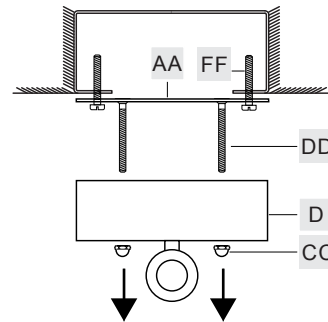
Figure 1

Note: You can decrease the height of fixture by not using either of rods (B) or (C).

STEP 2 - Canopy Installation

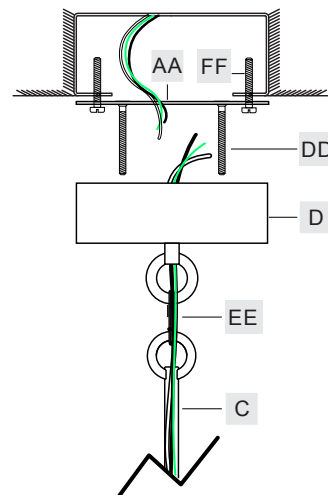
- Open the cross bar (AA) from the canopy by removing the nuts (CC).
- Use the cross bar and assemble it on the ceiling by using the junction box bolts (FF).

Figure 2



STEP 3 - Fixing Attachment to Canopy

- Attach the canopy by using Quick Link (EE).
- Pass the slack wire and ground wire between the canopy loop attached in the canopy.
- Lift the fixture up with the attached canopy towards the cross bar which was attached into the ceiling as shown in Step 2.



STEP 4 - Wire Connections

A. Use the included wire connectors to make all the wire connections. Twist connectors until wires are tightly joined together. Wrap each connection with approved electrical tape and carefully stuff connected wires into outlet box.

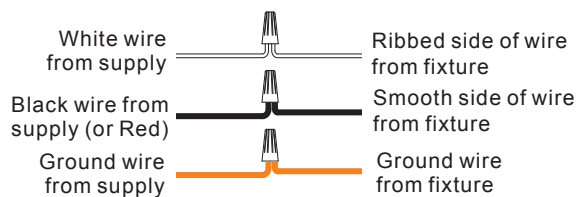


Figure 4

B. As the fixture is lifted for making the connection, pass the bolt (DD) into the hole of the canopy and tighten with top nut (CC).

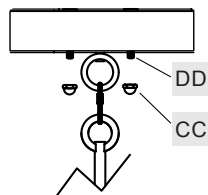


Figure 5

Optional: Flush Mount Installation

A. Pull the slack wire and ground wire and pass through rod (E).
B. Thread rods (E) over the handle of the fixture body (A).

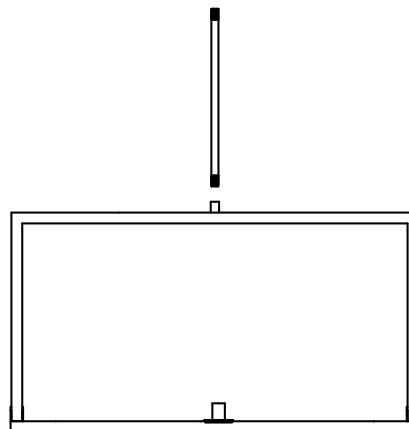


Figure 7

C. Unscrew the loops from the canopy (D) (Figure 8) and thread the other end of rods (E) directly to the canopy (D) (Figure 9).

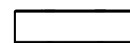


Figure 8

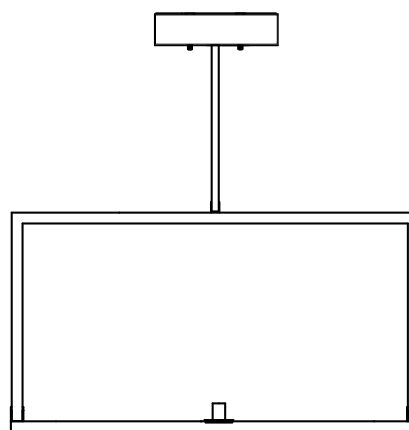


Figure 9

D. Lift the fixture with canopy attached towards the cross bar already attached in Step 2.

E. Pass the bolt (DD) from the cross bar (AA) through the hole in the canopy and tighten using the top nuts (CC).

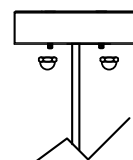


Figure 10