

Tools Required: Flathead screwdriver, Phillips screwdriver, pliers, wire strippers, electrical tape, safety glasses

Bulb Recommended: Candelabra Base 60W Maximum

Estimated Assembly Time: 30-40 minutes

Preparation: Identify and inspect all parts before beginning installation. Check package content list and diagram below to be sure all parts are present. If any parts are missing or damaged, do not assemble, install or operate the fixture. Contact customer service for replacement parts.

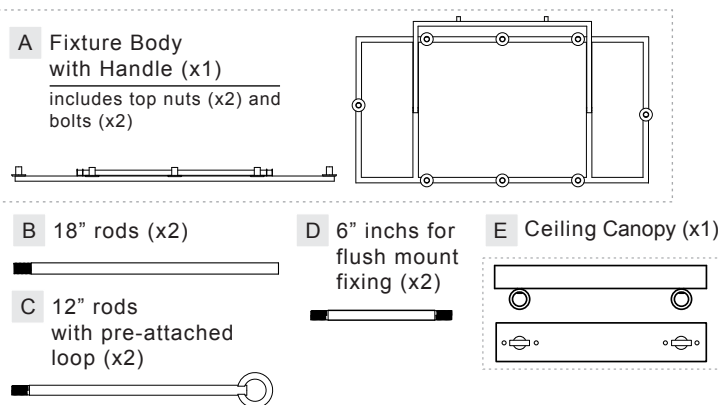
⚠ Warnings and Cautions

Turn off electricity at circuit breaker or main fuse box before installation. Consult a licensed electrician if in doubt.

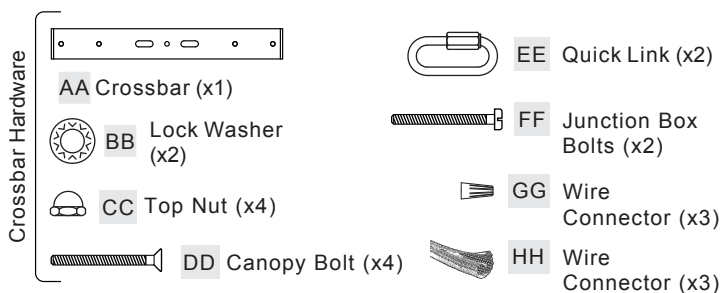
These instructions are provided for your safety. It is very important you read them completely before installing the fixture. We strongly recommend that a licensed, professional electrician perform the installation.

Disconnect fixture from power source before replacing bulbs. Make sure bulbs are given sufficient time to cool before removal.

Package Contents

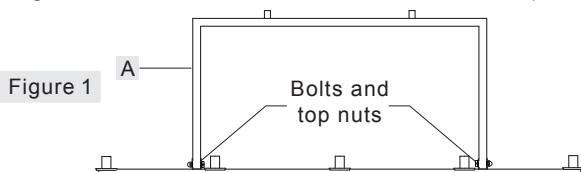


Hardware Contents



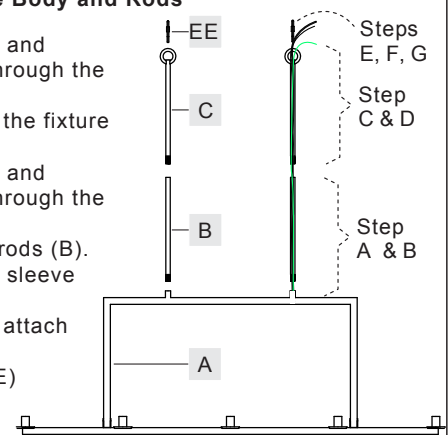
STEP 1 - Assemble Fixture Body and Fixture Handle together

- Open the bolt and top nut (A) from the fixture body.
- Pull the handle up 90 degrees over the fixture body.
- Pass the bolt from the fixture handle through the clips in the fixture body.
- Tighten the bolts on the fixture handle with the top nuts.



STEP 2 - Assemble Fixture Body and Rods

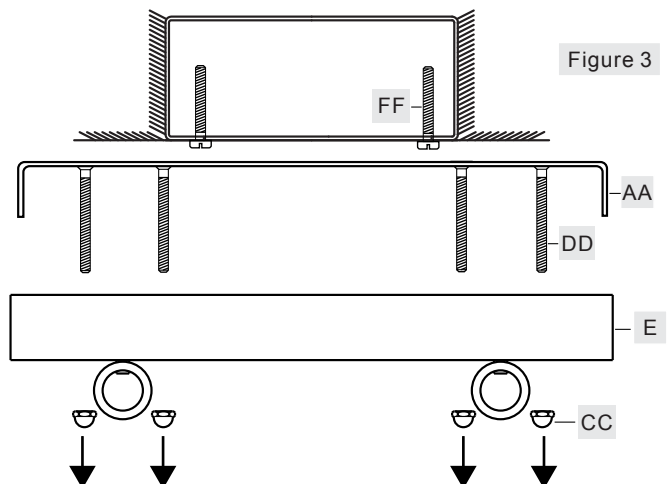
- Pull the slack wire (black and white) and ground wire through the rods (B).
- Thread the rods (B) over the fixture handle.
- Pull the slack wire (black and white) and ground wire through the rods (C).
- Thread the rods (C) into rods (B). Wrap exposed wires with sleeve (HH).
- Use the Quick link (D) to attach over rod (C).
- Attach the Quick Link (EE) through the loop in the rod (C).
- Braid wire with sleeve through the loop and Quick Link.



Note: You can reduce the height of the fixture by not using either or both of the rods (B and C) provided.

STEP 3 - Canopy Installation

- Remove the cross bar (AA) from the canopy (E) by loosening the nuts (CC).
- Fix the cross bar using the junction box mounting screws (FF) provided.



STEP 4 - Install Fixture Attachment to Ceiling

- A. Attach the canopy to the fixture handle through the Quick Links (EE).
- B. Pass the slack wire and ground wire through the loop in the canopy (D).
- C. Lift the fixture body with canopy up towards the cross bar which was attached in Step 3.

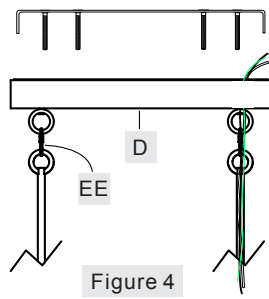


Figure 4

STEP 5 - Wire Connections

- A. Use the included wire connectors to make all the wire connections. Twist connectors until wires are tightly joined together. Wrap each connection with approved electrical tape and carefully stuff connected wires into outlet box. See Figure 6.

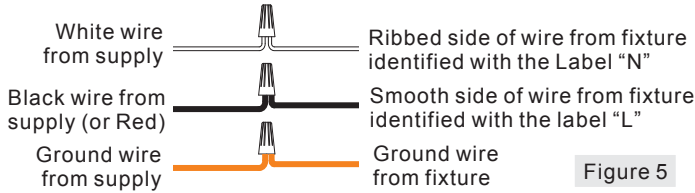


Figure 5

- B. Pass the bolt (DD) from the cross bar through the hole in the canopy and tighten using the top nuts (CC).

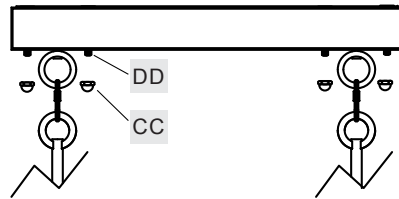


Figure 6

Optional: Flush Mount Installation

- A. Pull the slack wire and ground wire and pass through rod (E).
- B. Thread rods (E) over the handle of the fixture body (A).

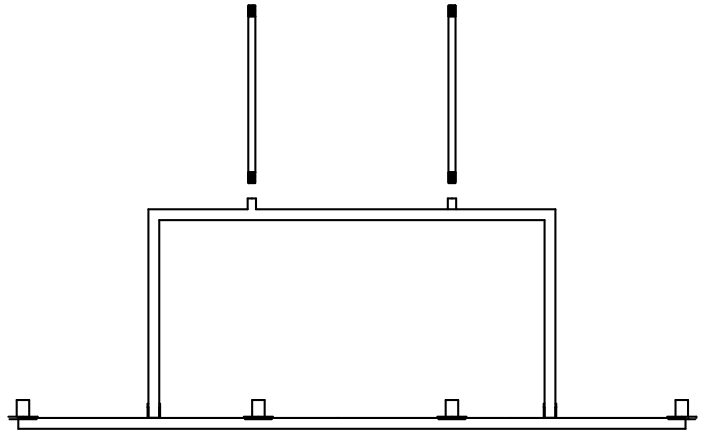


Figure 7

- C. Unscrew the loops from the canopy (D) (Figure 8) and thread the other end of rods (E) directly to the canopy (D) (Figure 9).

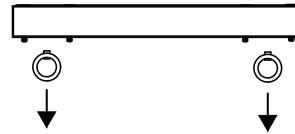


Figure 8

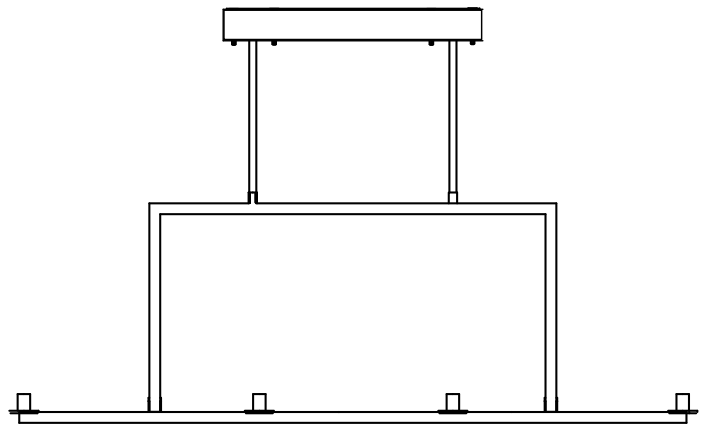


Figure 9

- D. Lift the fixture with canopy attached towards the cross bar already attached in Step 2.
- E. Pass the bolt (DD) from the cross bar (AA) through the hole in the canopy and tighten using the top nuts (CC).

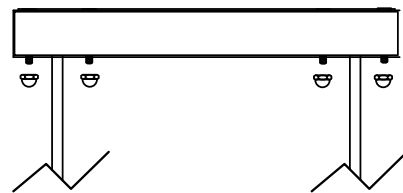


Figure 10