

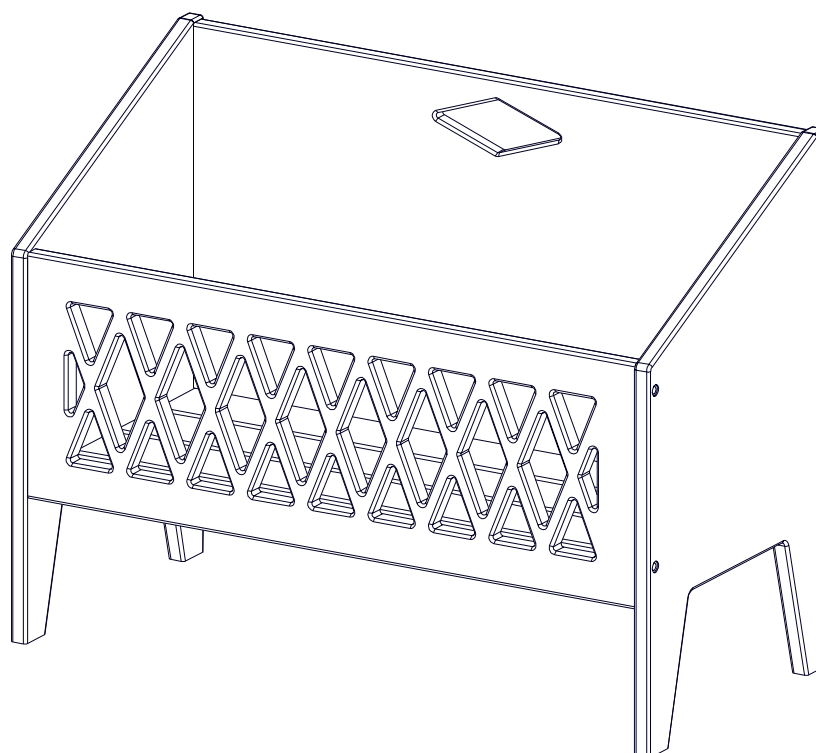
# ASSEMBLY GUIDE

## BOOKS BENCH

23 - WHITE

40 – CLASSIC GREY

03 - PETROLEUM



IMPORTANT, RETAIN FOR FUTURE REFERENCE: READ CAREFULLY  
MUST BE ASSEMBLED BY AN ADULT!


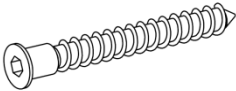
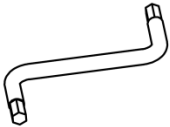
# ASSEMBLY GUIDE

## MONTAGE

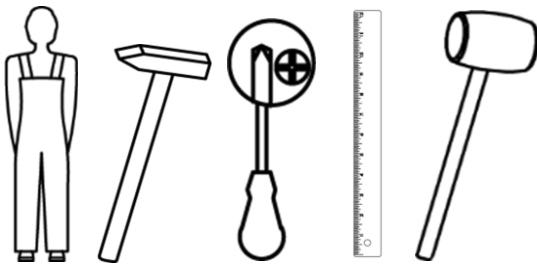
## SAMLEVEJLEDNING

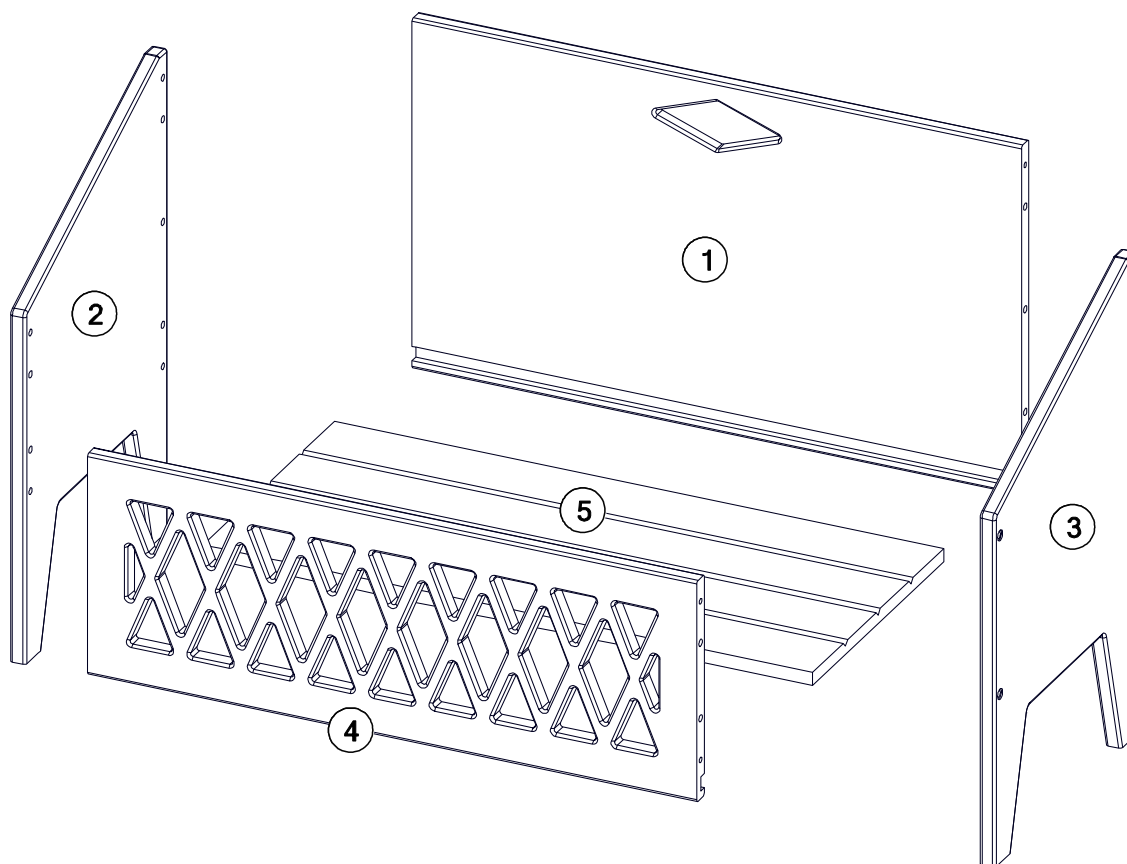
## MONTERING

### PARTS LIST

A		x10	B		x8	C		x1
	5x20			7x38				


### TOOLS NEEDED FOR ASSEMBLY

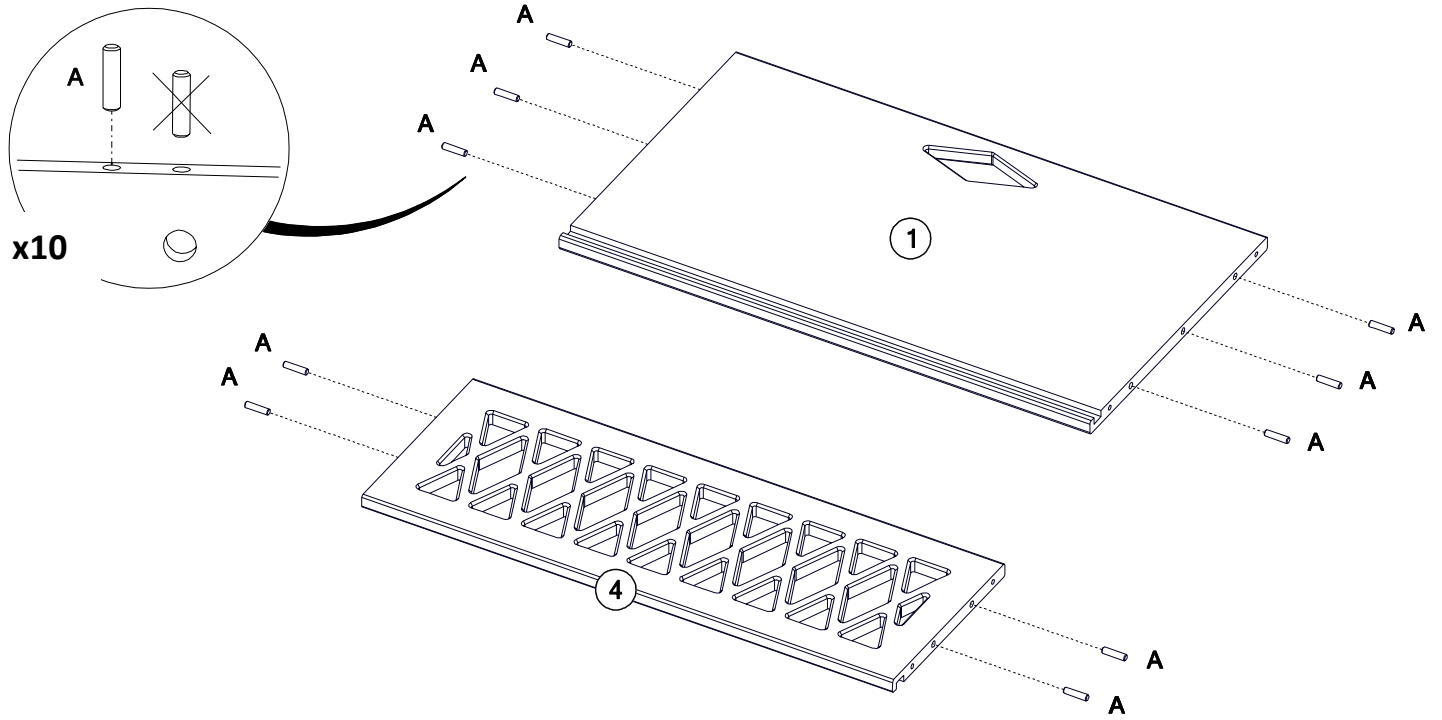




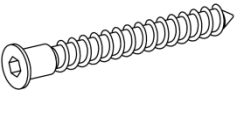
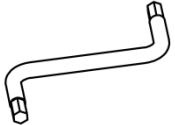
Item number	Dimensions	Number of pcs
1.	464 x 269 x 12	1
2.	371 x 230 x 12	1
3.	371 x 230 x 12	1
4.	464 x 170 x 12	1
5.	464 x 212 x 10	1

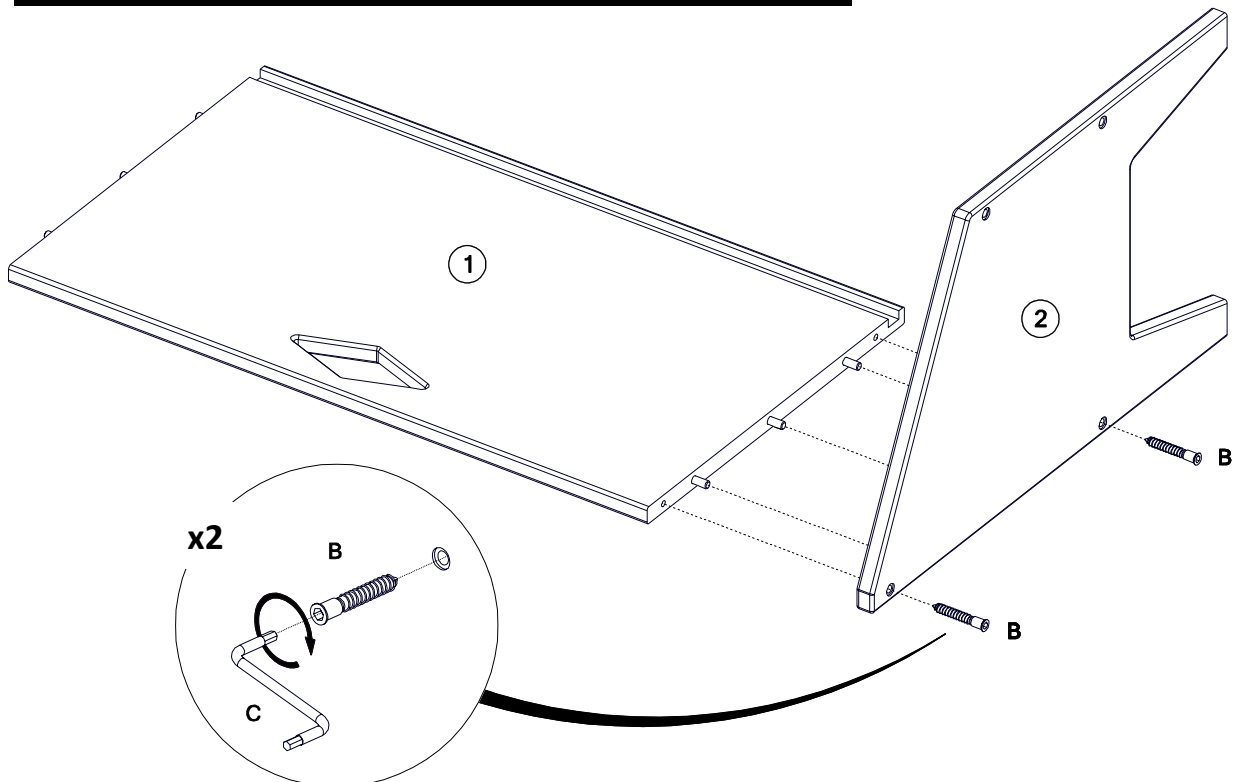
1.

A		x10
	5x20	

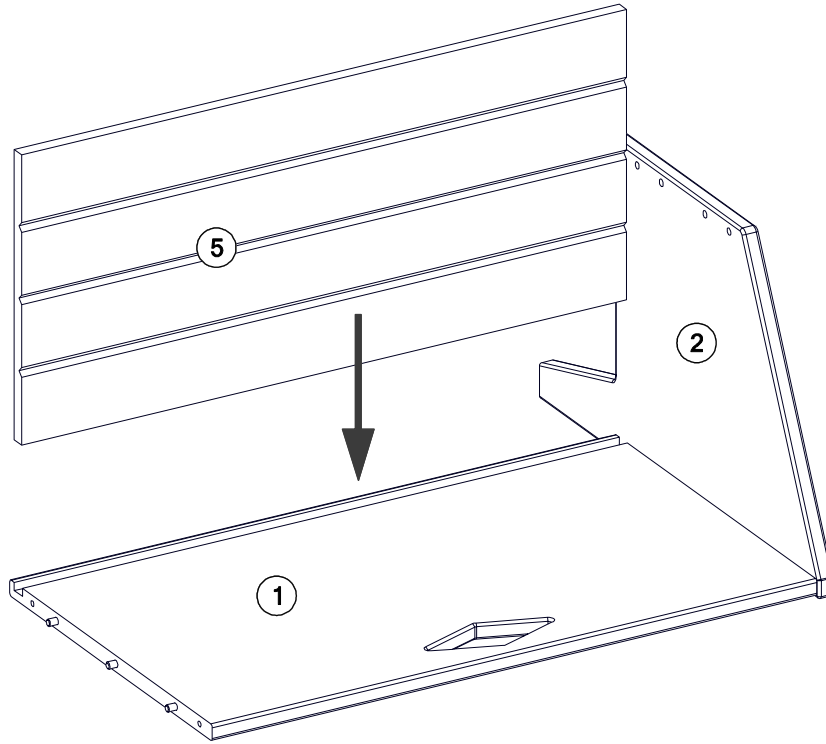


2.

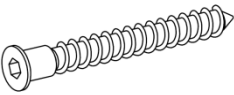
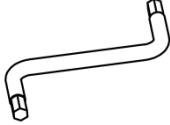
B		x2	C		x1
	7x38				

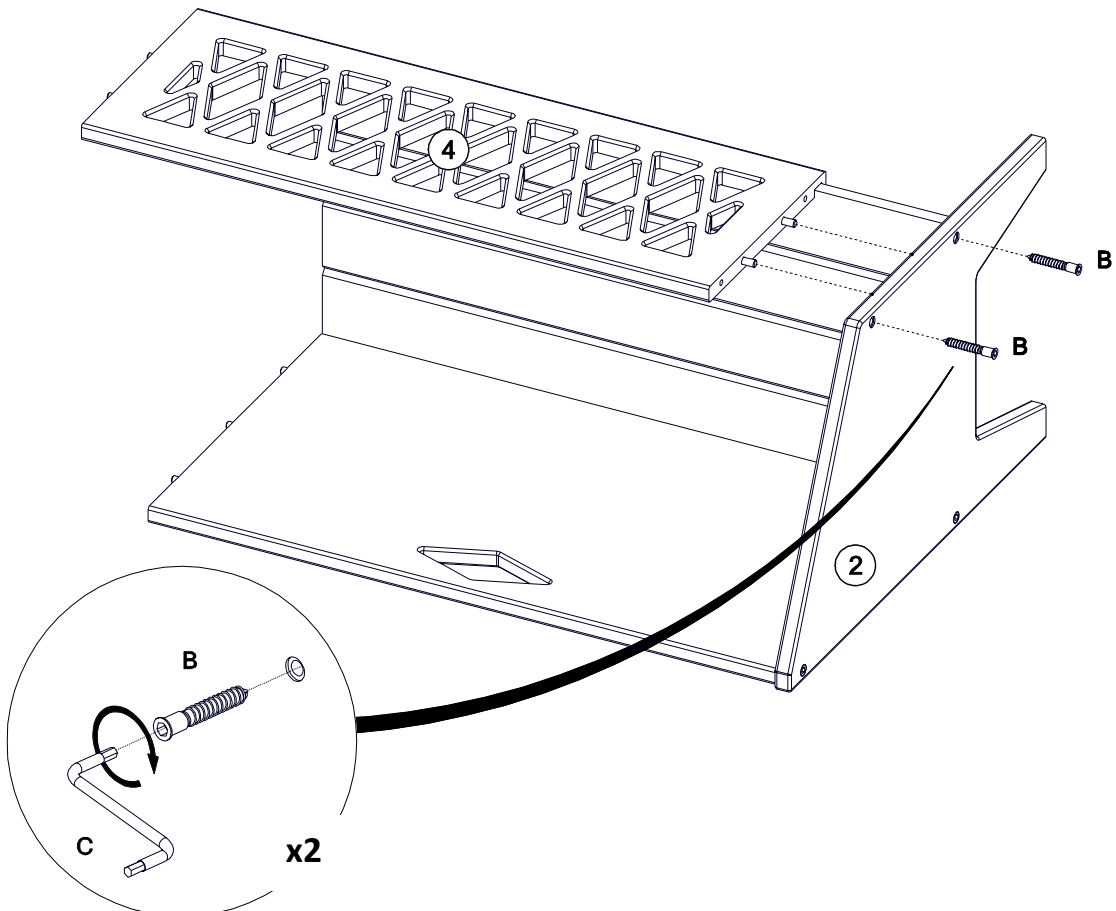


3.

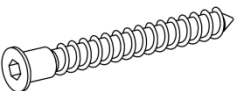
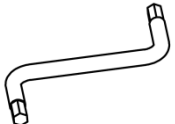


4.

B		x2	C		x1
	7x38				



5.

B	 7x38	x4	C		x1
---	---	----	---	--	----

