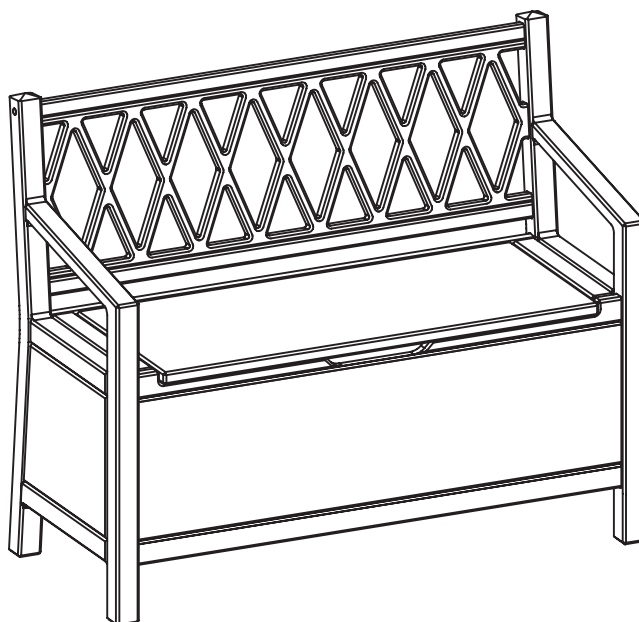


ASSEMBLY GUIDE

2003 - HARLEQUIN KIDS STORAGE BENCH



IMPORTANT, RETAIN FOR FUTURE REFERENCE: READ CAREFULLY

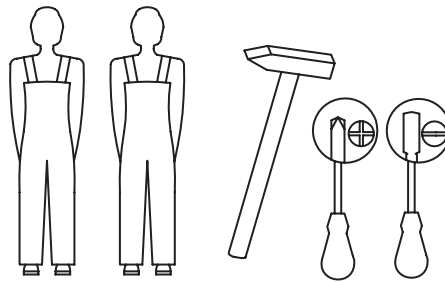
ASSEMBLY GUIDE

MONTAGE


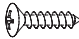

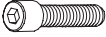
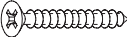

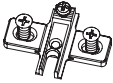
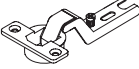
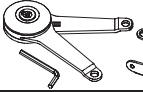

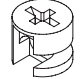
SAMLEVEJLEDNING

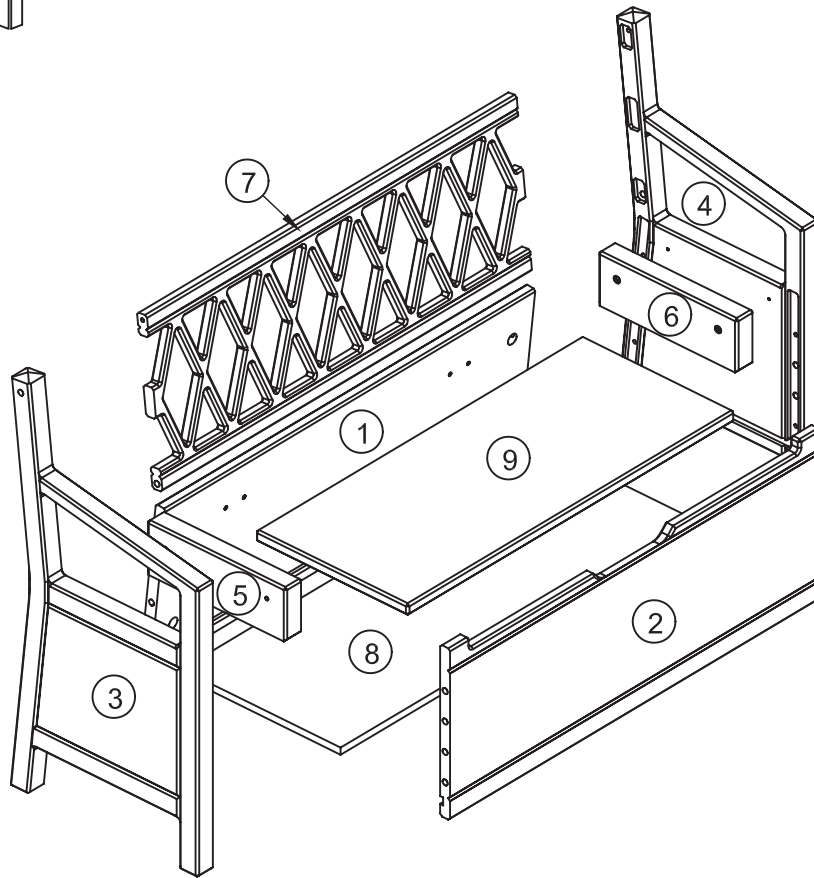
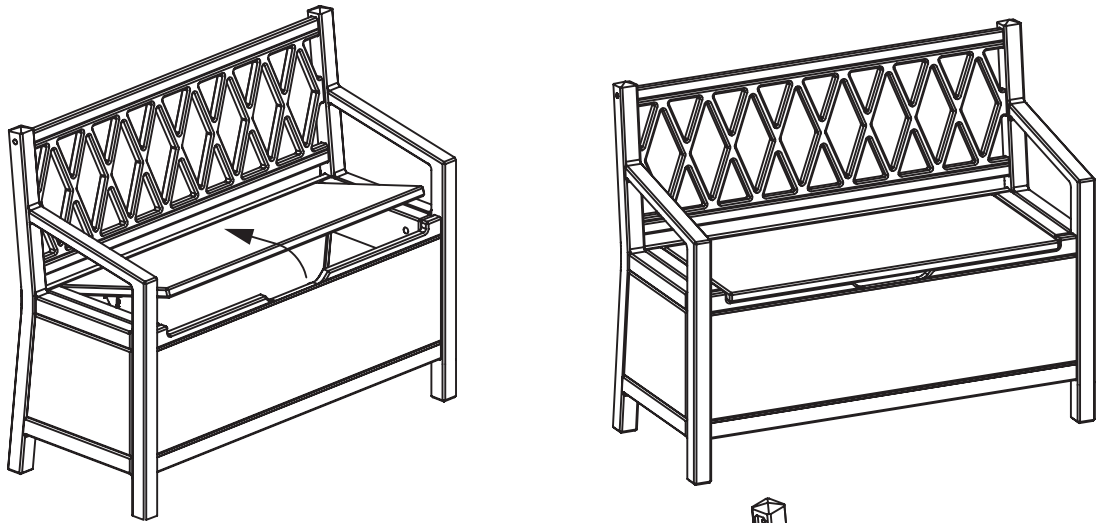
MONTERING

TOOLS NEEDED FOR ASSEMBLY



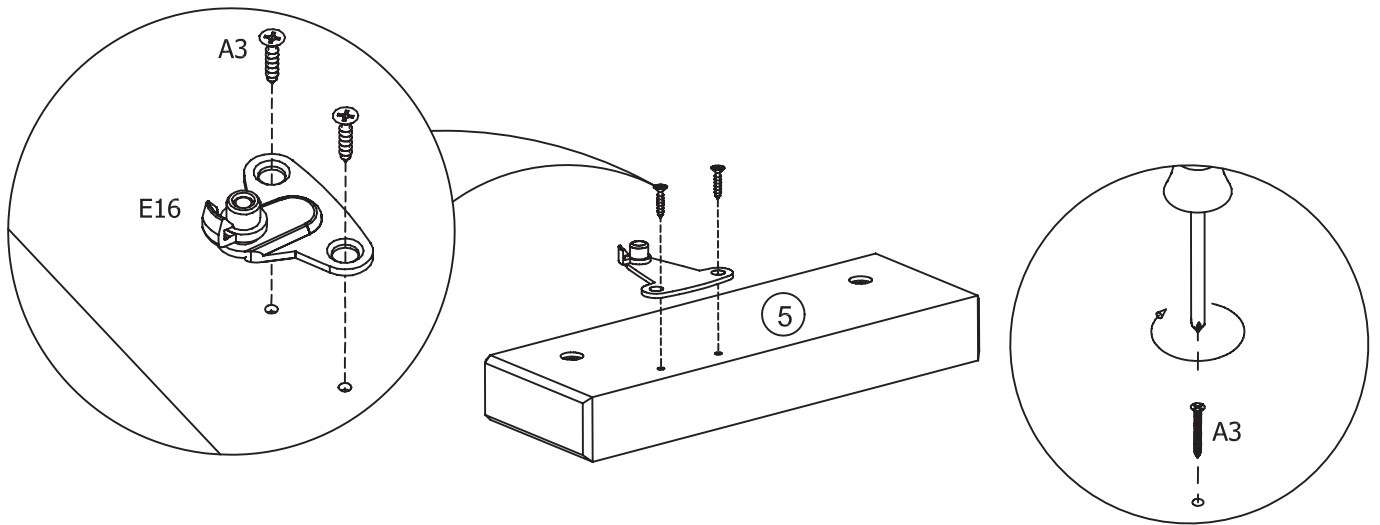
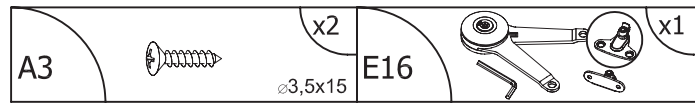
PARTS LIST

A1	 x8	A3	 x8 ø3,5x15	A21	 x1
A35	 x2 M4x20	A38	 x4 ø4,5x45	C3	 x2
E1	 x2	E3	 x2 ø26 mm	E16	 x1
		S1	 x10 ø8x30	S2	 x8 H=12mm

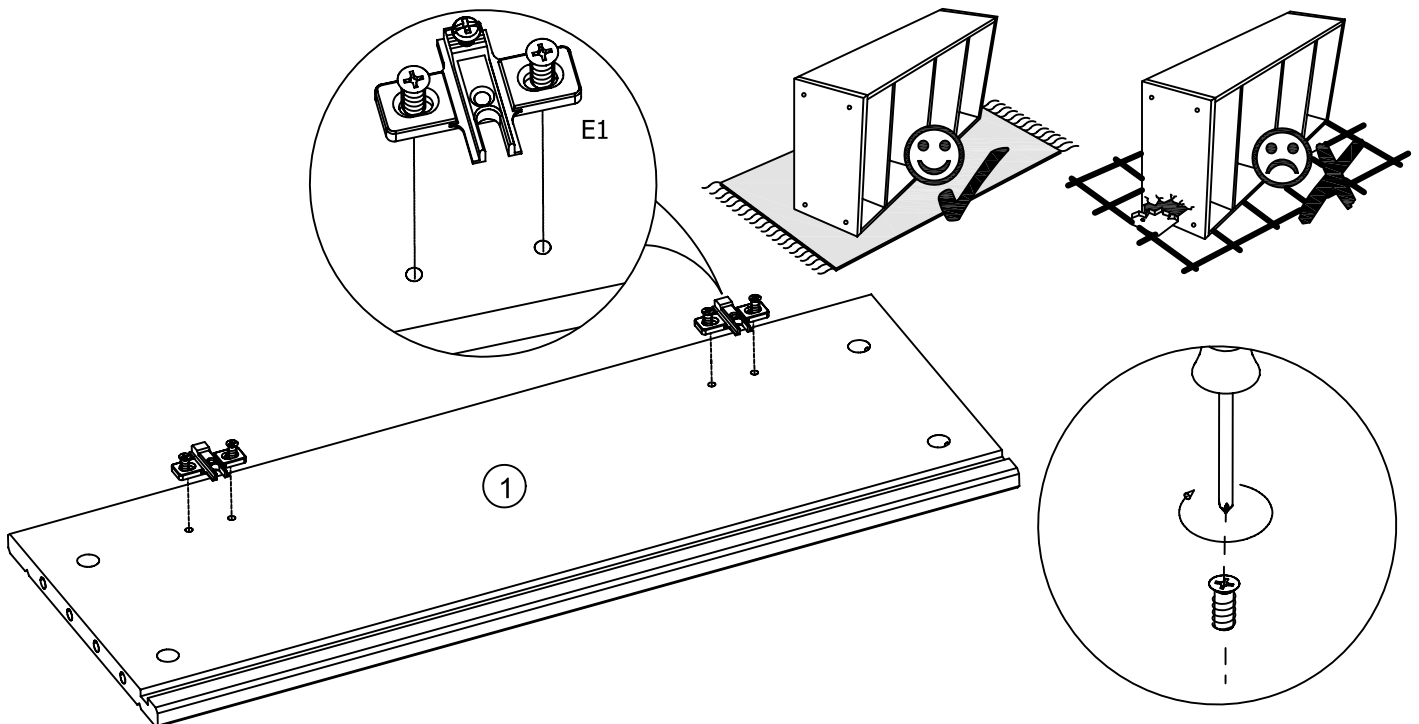
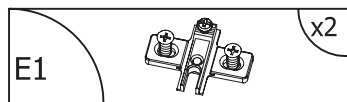


Item number	Number of pcs	Dimensions
1	1	646 x 240 x 16
2	1	646 x 240 x 16
3	1	579 x 300 x 30
4	1	579 x 300 x 30
5	1	75 x 221 x 30
6	1	75 x 221 x 30
7	1	237 x 646 x 16
8	1	253 x 646 x 10
9	1	242 x 572 x 16



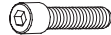
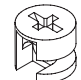
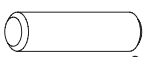
1.

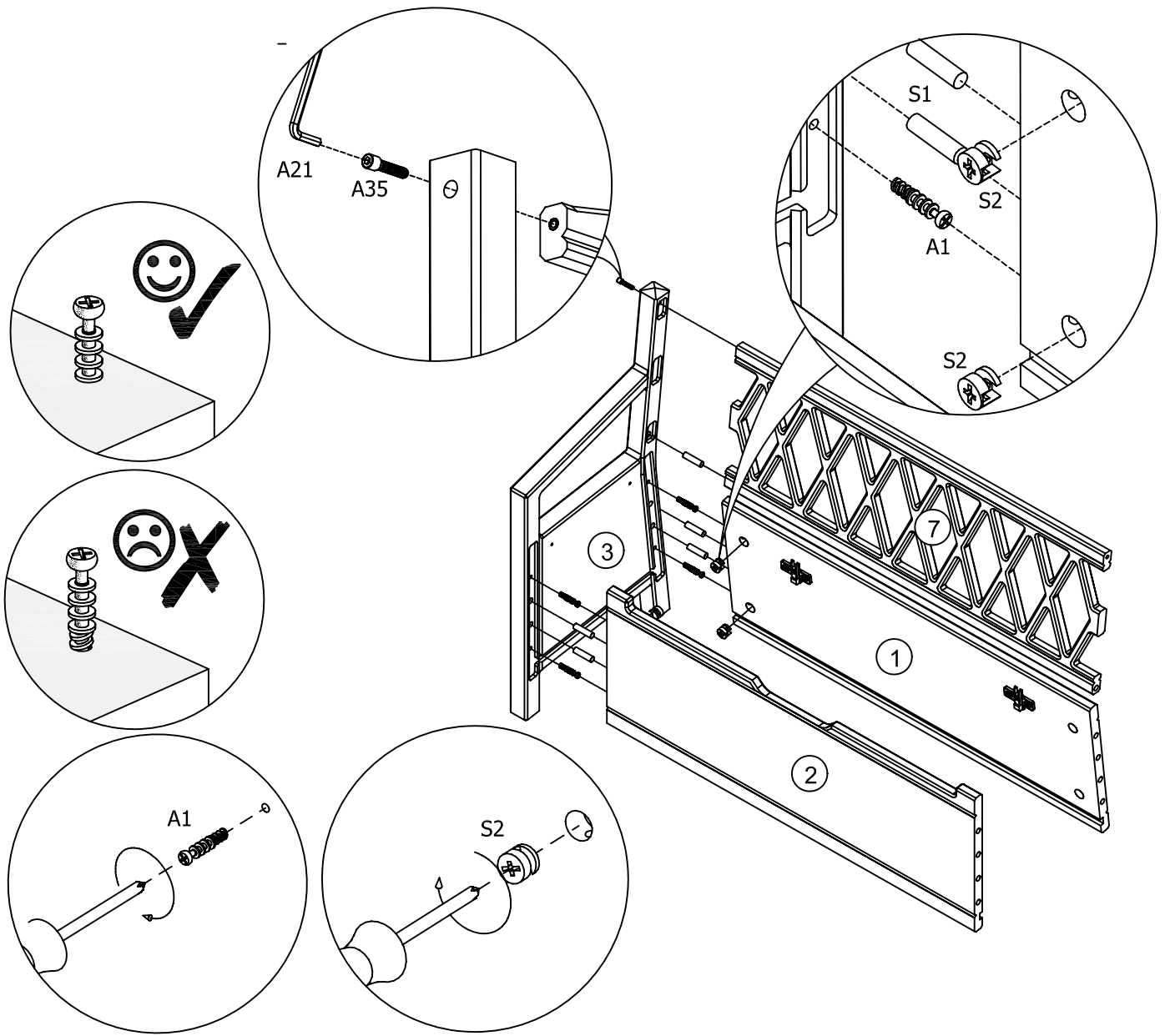


2.



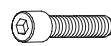
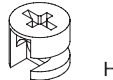
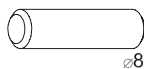


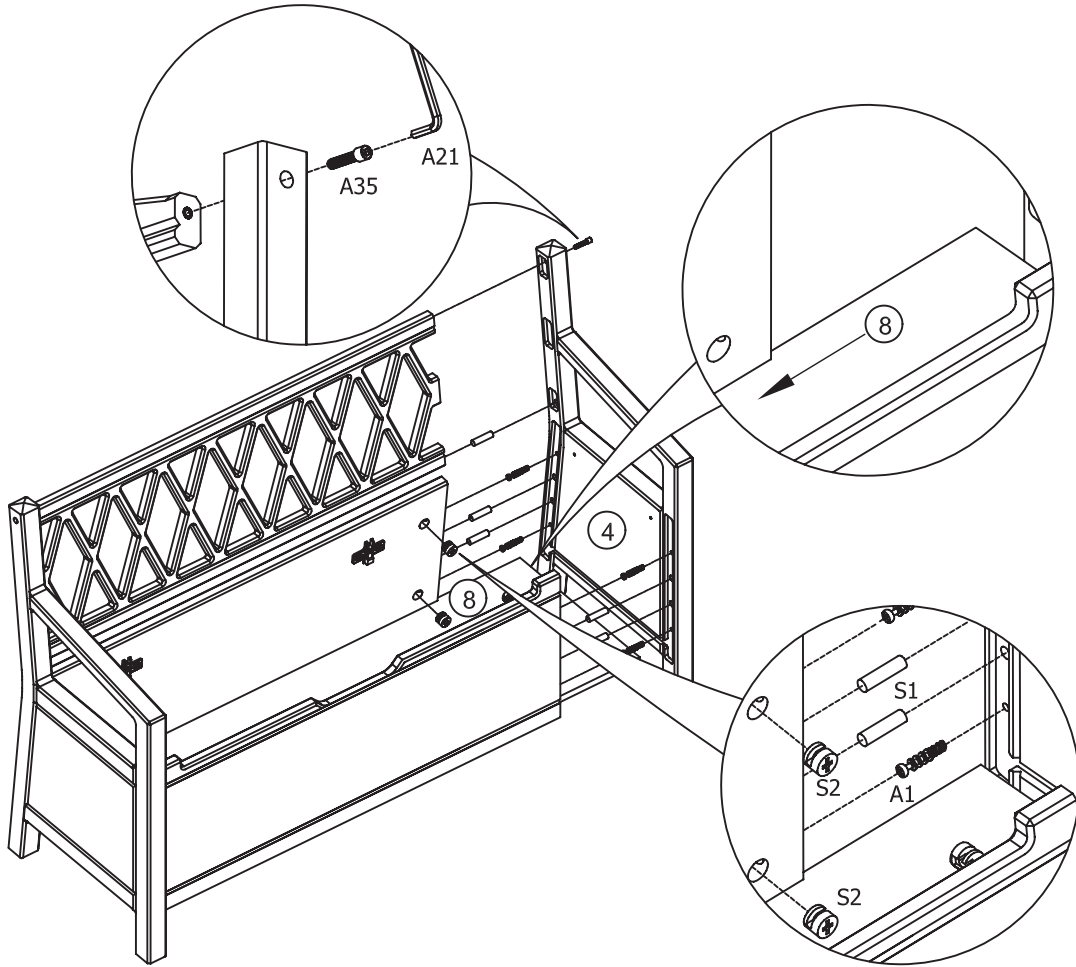
3.

A1	 x4	A21	 x1	A35	 x1 M4x20
S2	 H=12mm x4	S1	 ø8x30 x5		

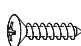

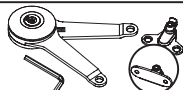


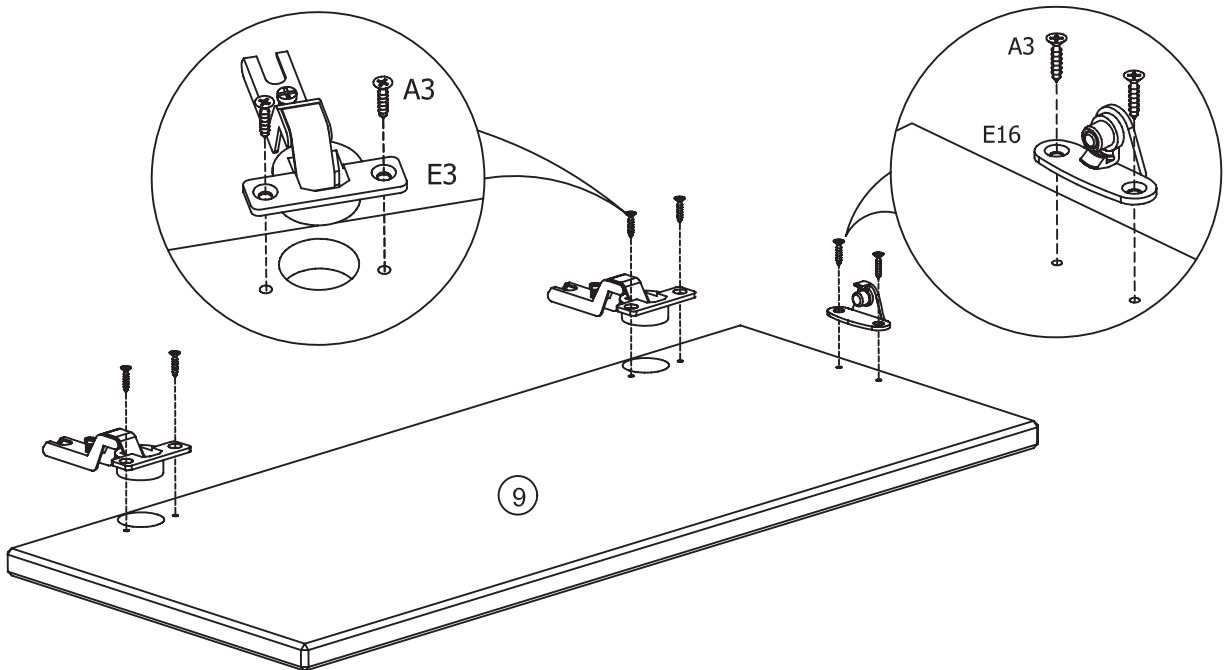
4.

A1	 x4	A21	 x1	A35	 x1 M4x20
S2	 x4 H=12mm	S1	 x5 ø8x30		

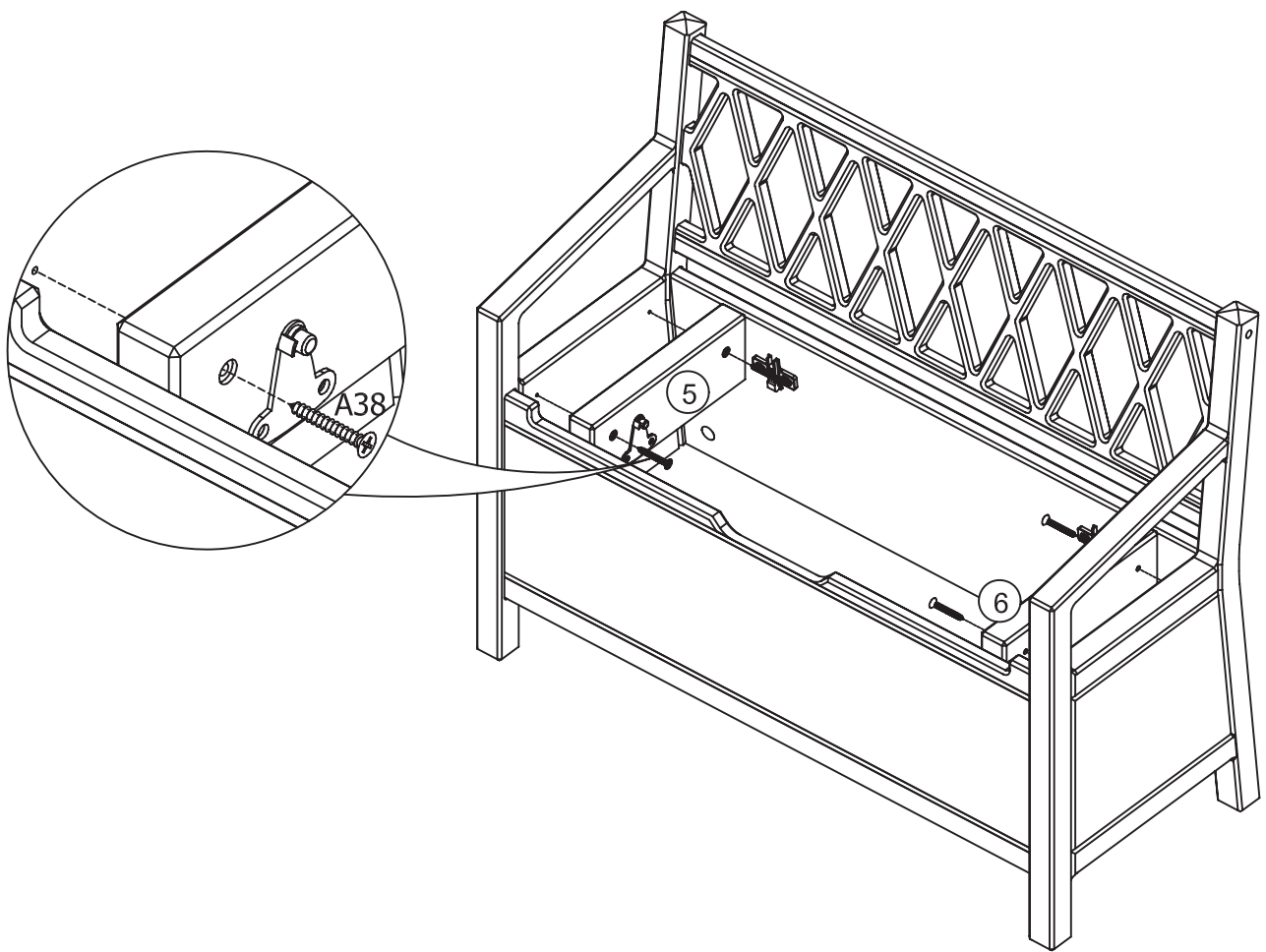
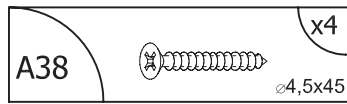


5.

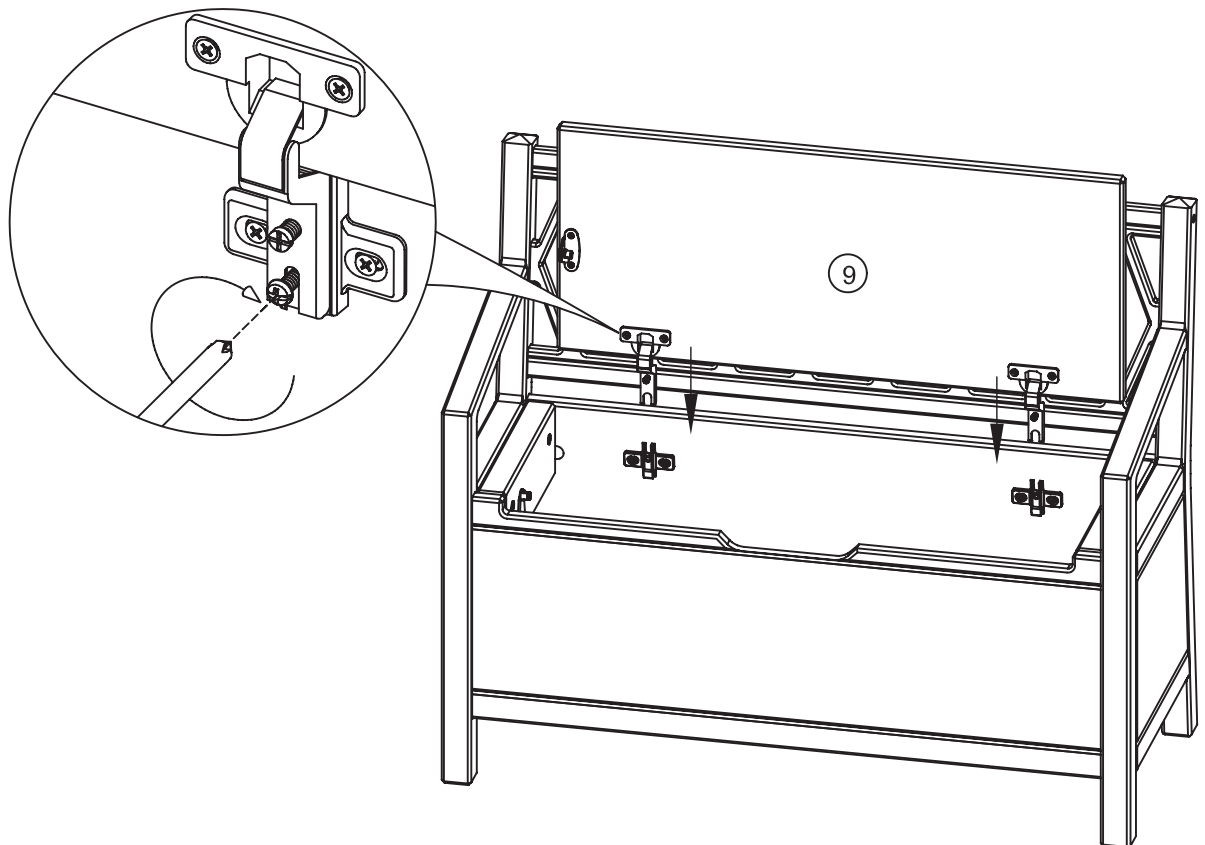
A3	 x6 ø3,5x15	E3	 x2 ø26 mm	E16	 x1
----	---	----	--	-----	--



6.



7.



8.

