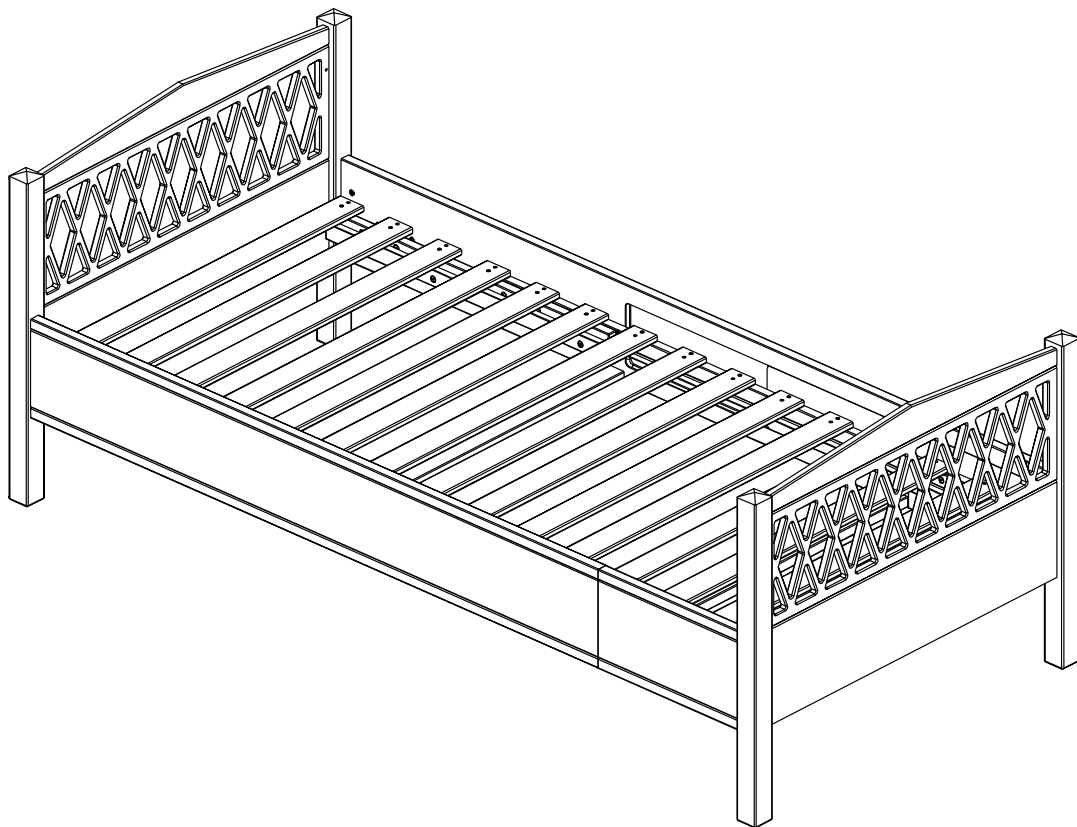




ASSEMBLY GUIDE

2035 JUNIOR/ADULT BED

23 - WHITE



IMPORTANT, RETAIN FOR FUTURE REFERENCE: READ CAREFULLY
MUST BE ASSEMBLED BY AN ADULT!



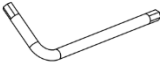


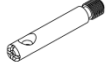



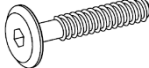


ASSEMBLY GUIDE

MONTAGE

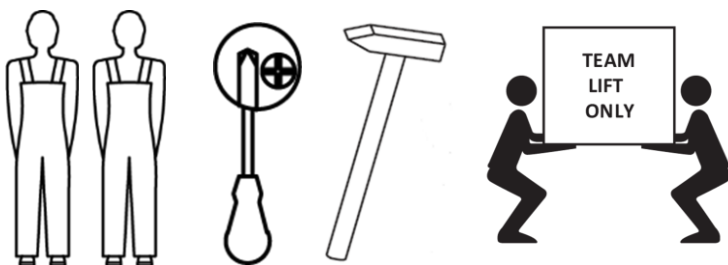
SAMLEVEJLEDNING

MONTERING

PARTS LIST

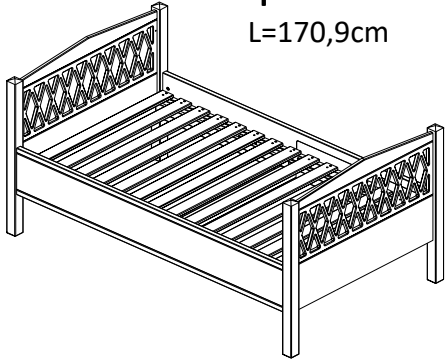
A	 8x30	x28	D	 x8	E	 x1		
F	 3x15	x32	G	 D=18	S	 7x45	x12	
T	 14x12	x12	U	 8x8,5	x12	M	 M6x55	x14
N	 M6x25	x8	O	 3.5x25	x30	Z	 60 x 41.5	x2

TOOLS NEEDED FOR ASSEMBLY



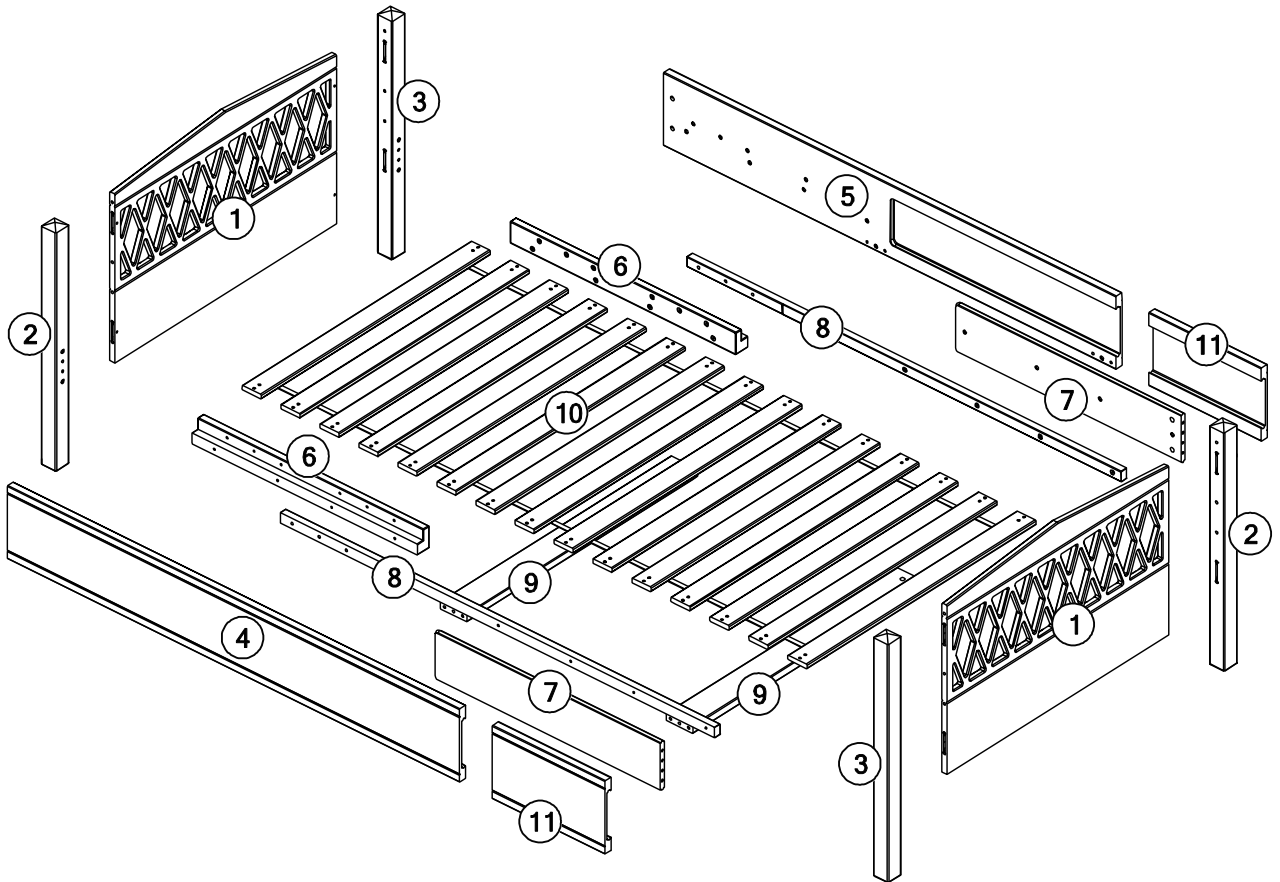
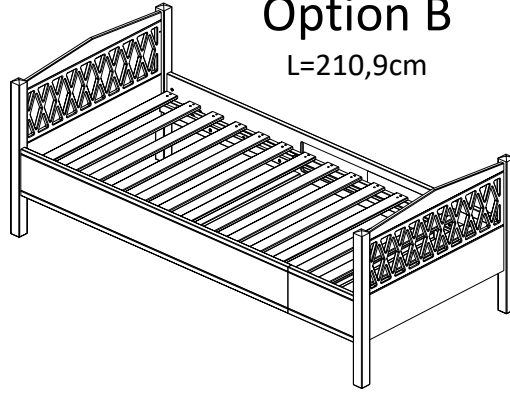
Option A

L=170,9cm



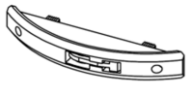

Option B

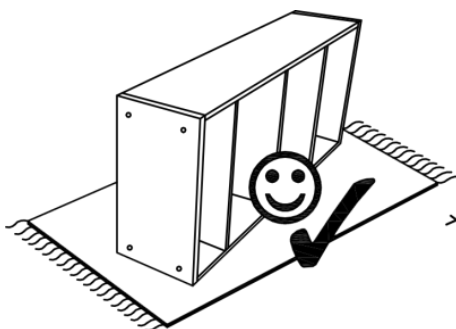
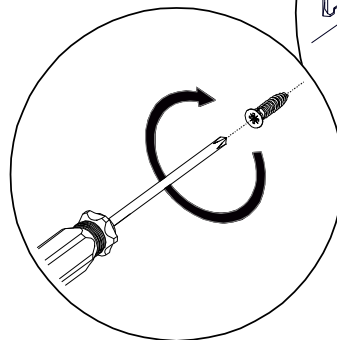
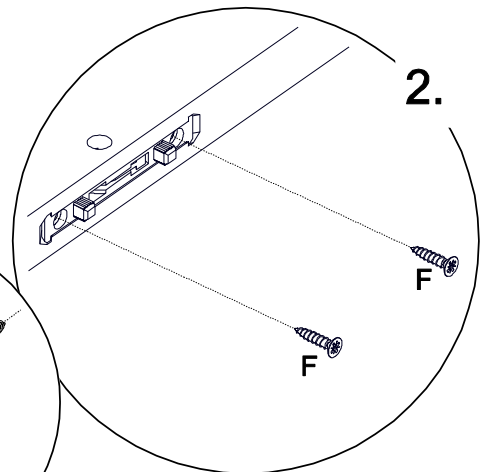
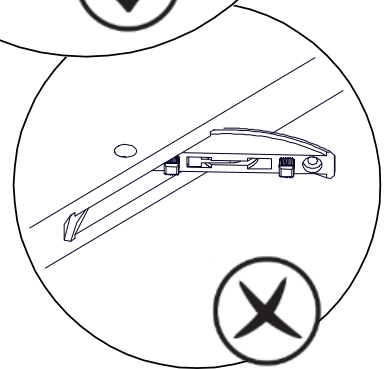
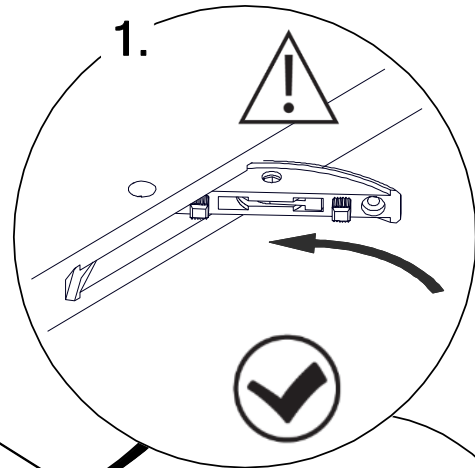
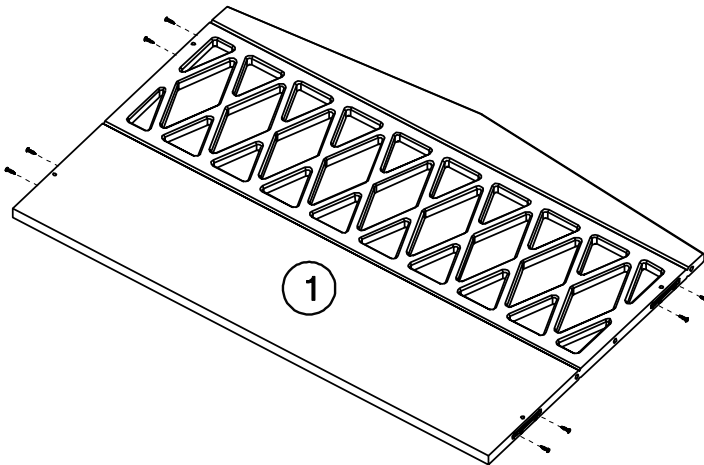
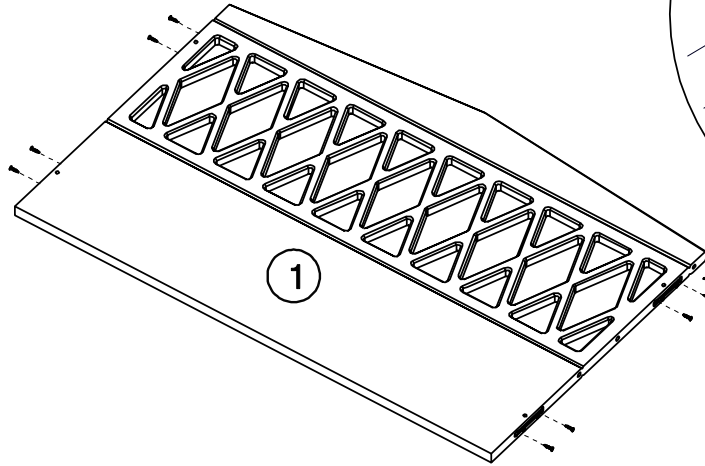
L=210,9cm




Item number	Dimensions	Number of pcs
1.	886 x 582 x 19	2
2.	773 x 53 x 53	2
3.	773 x 53 x 53	2
4.	1603 x 234 x 25	1
5.	1603 x 234 x 25	1
6.	800 x 70 x 48	2
7.	804 x 158 x 16	2
8.	1540 x 34 x 22	2
9.	923 x 94 x 25	2
10.	916 x 68 x 15	1
11.	399 x 234 x 25	2

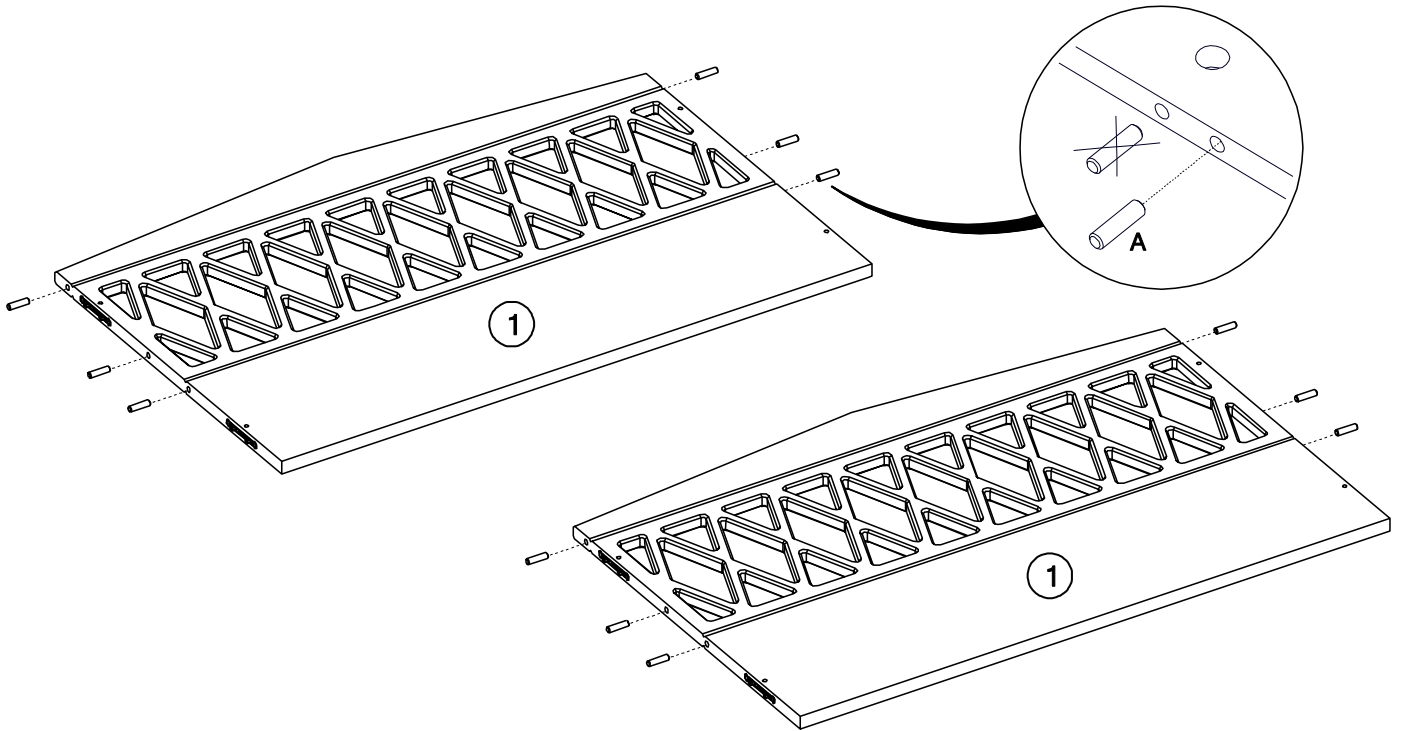
1.

D		x8	F		3x15	x16
---	---	----	---	---	------	-----

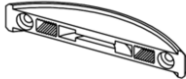




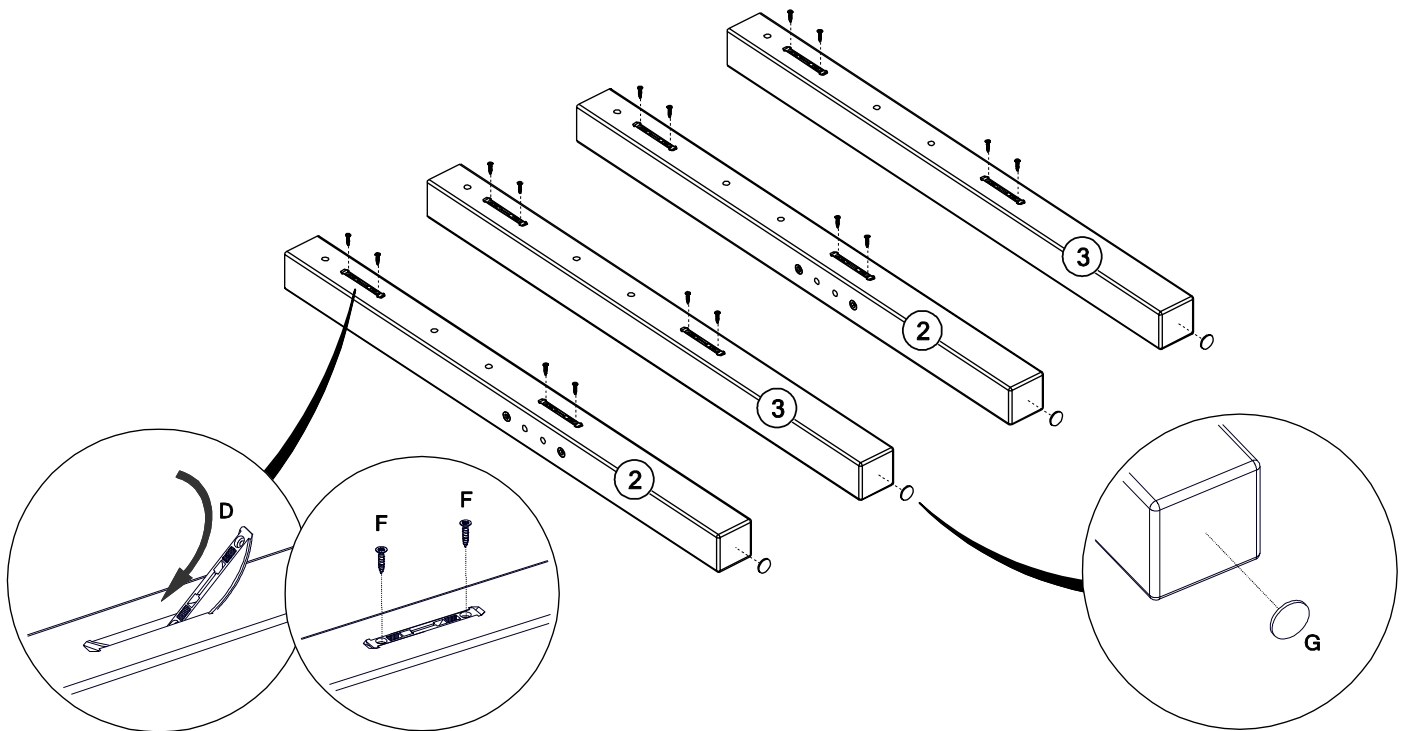
2.

A		x12
	8x30	

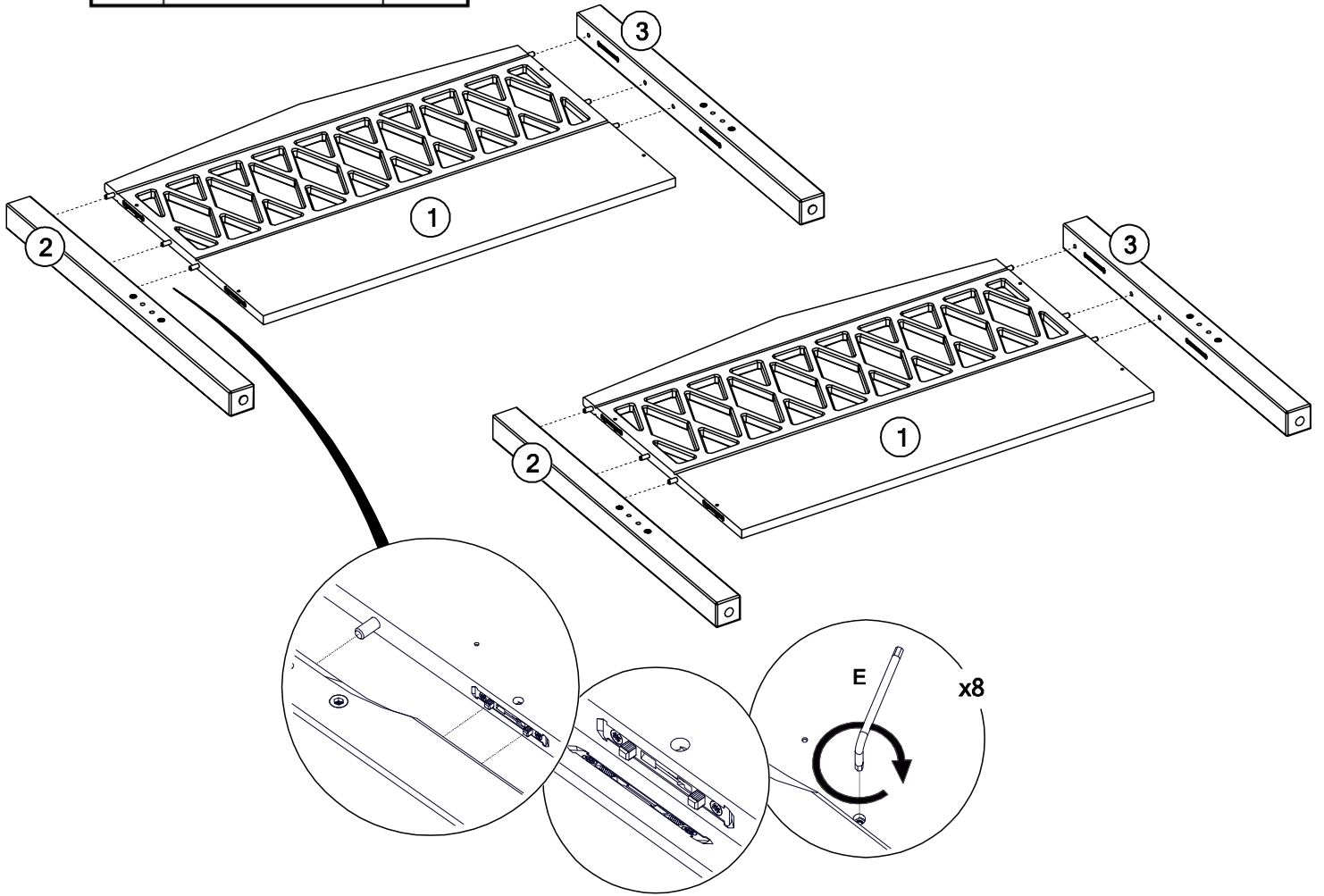
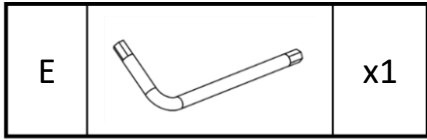


3.

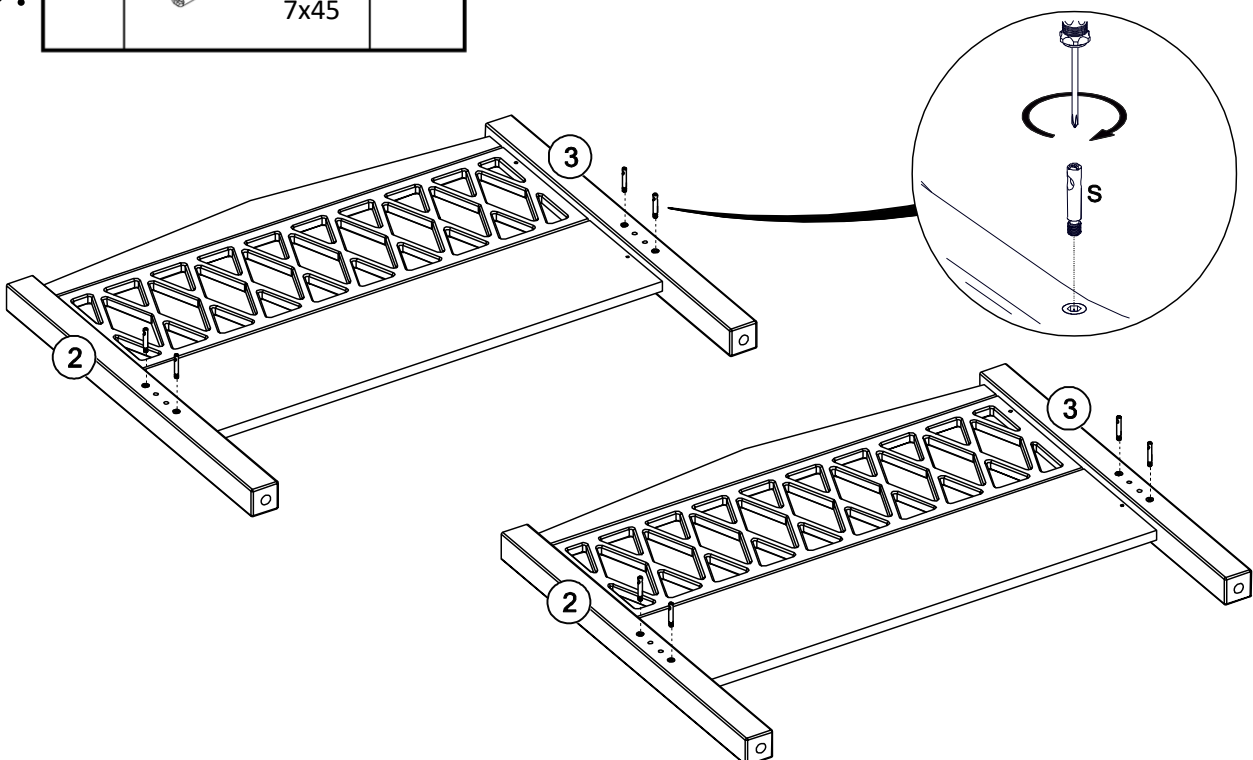
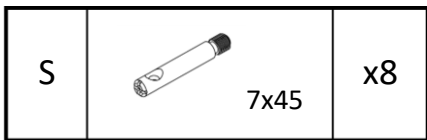
D		x8	F		3x15	x16	G		D=18	x4
---	---	----	---	---	------	-----	---	---	------	----






4.

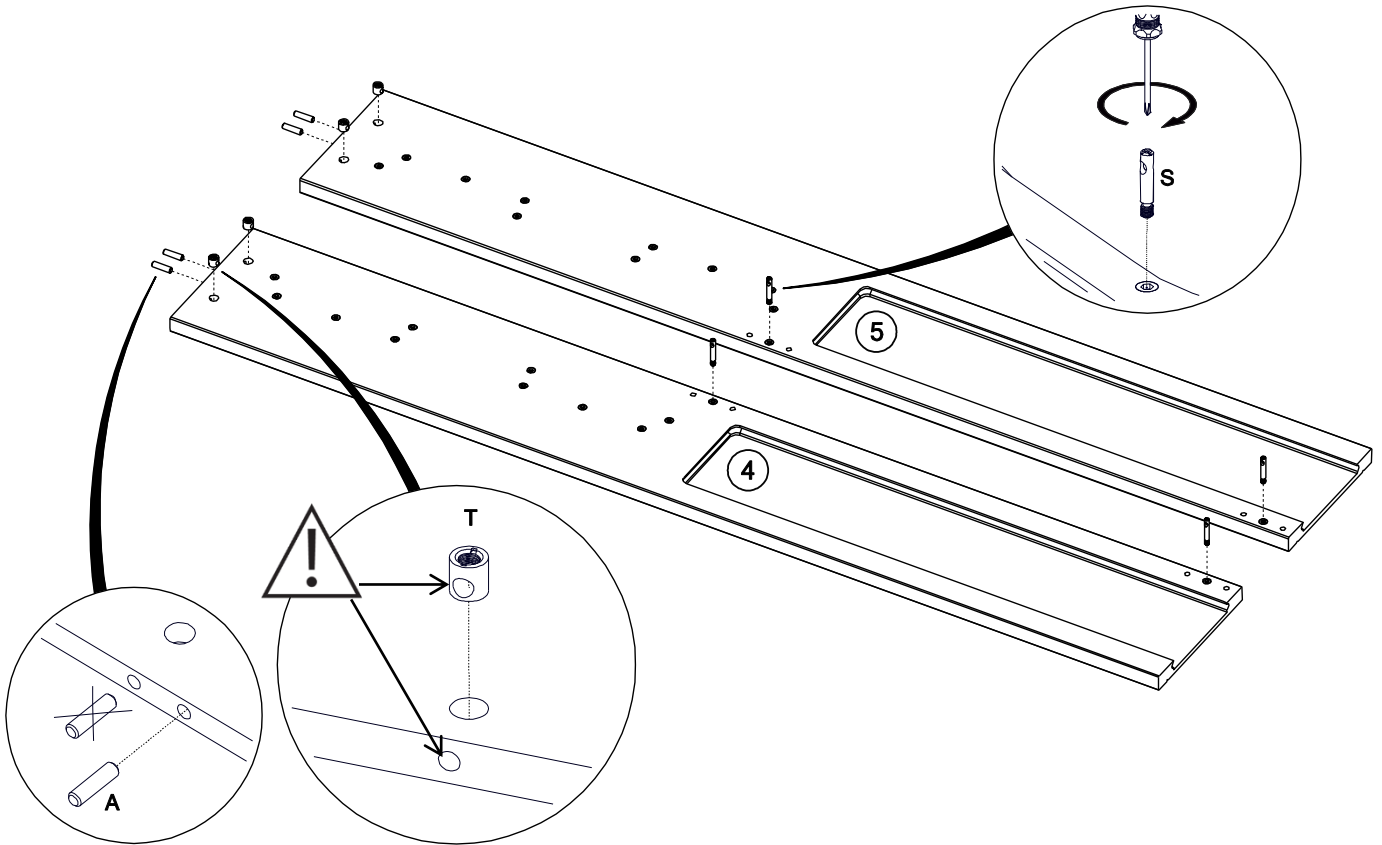


5.





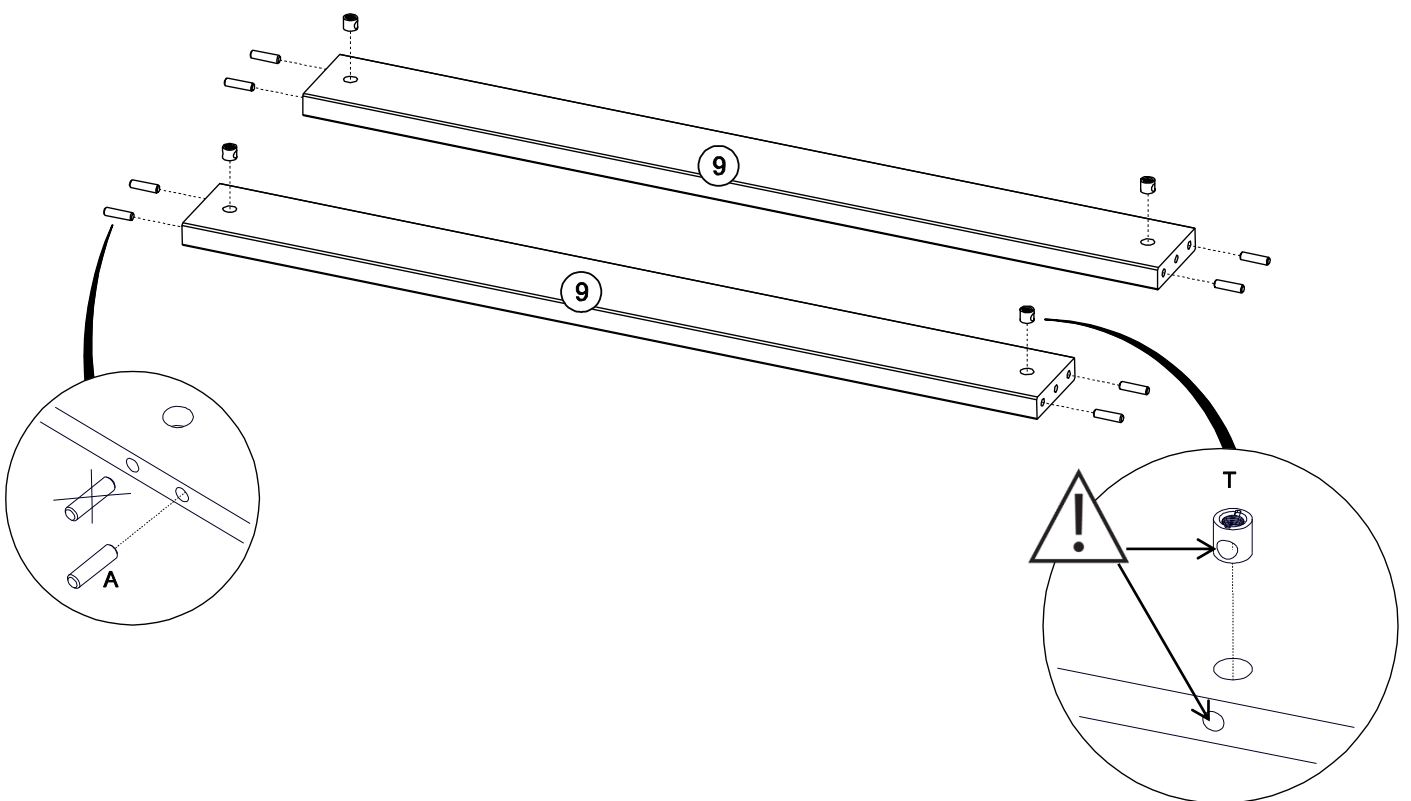
6.


A	 8x30	x4	T	 14x12	x4	S	 7x45	x4
---	--	----	---	---	----	---	--	----

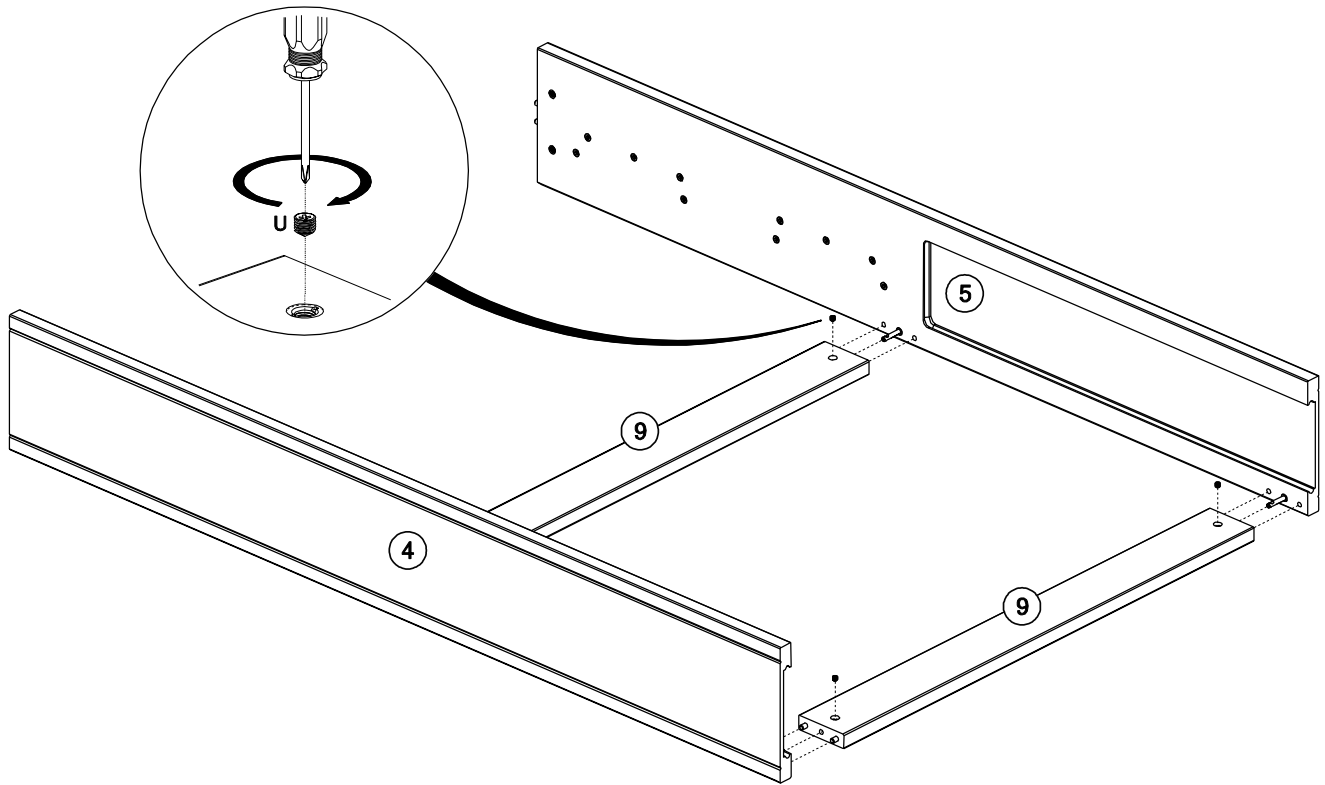



7.

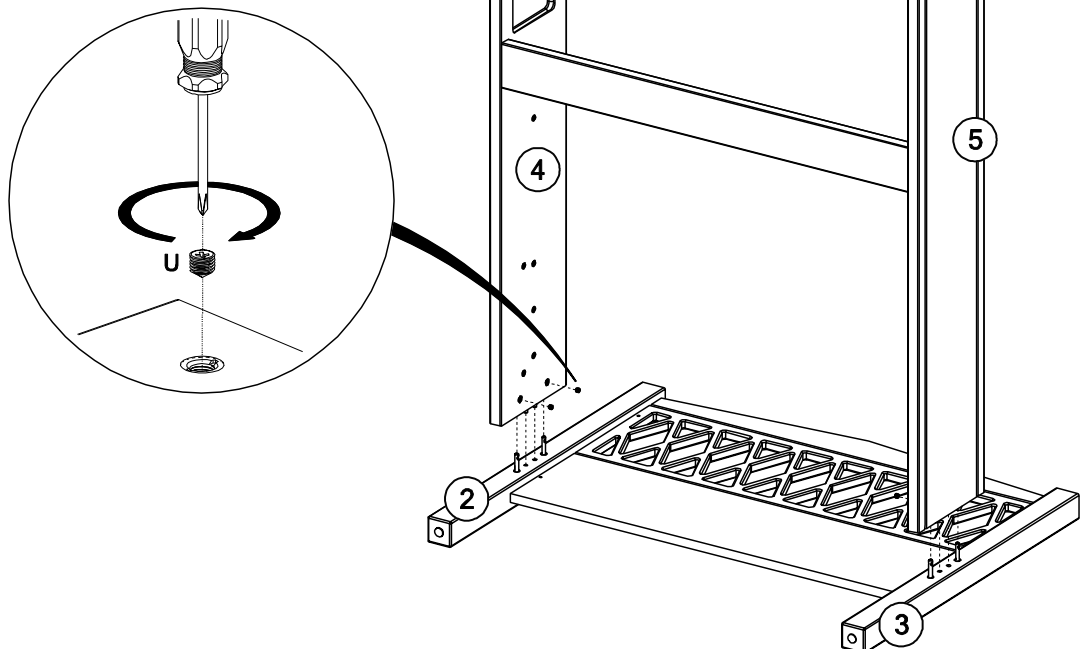
A	 8x30	x8	T	 14x12	x4
---	--	----	---	---	----





8. U  8x8,5 x4

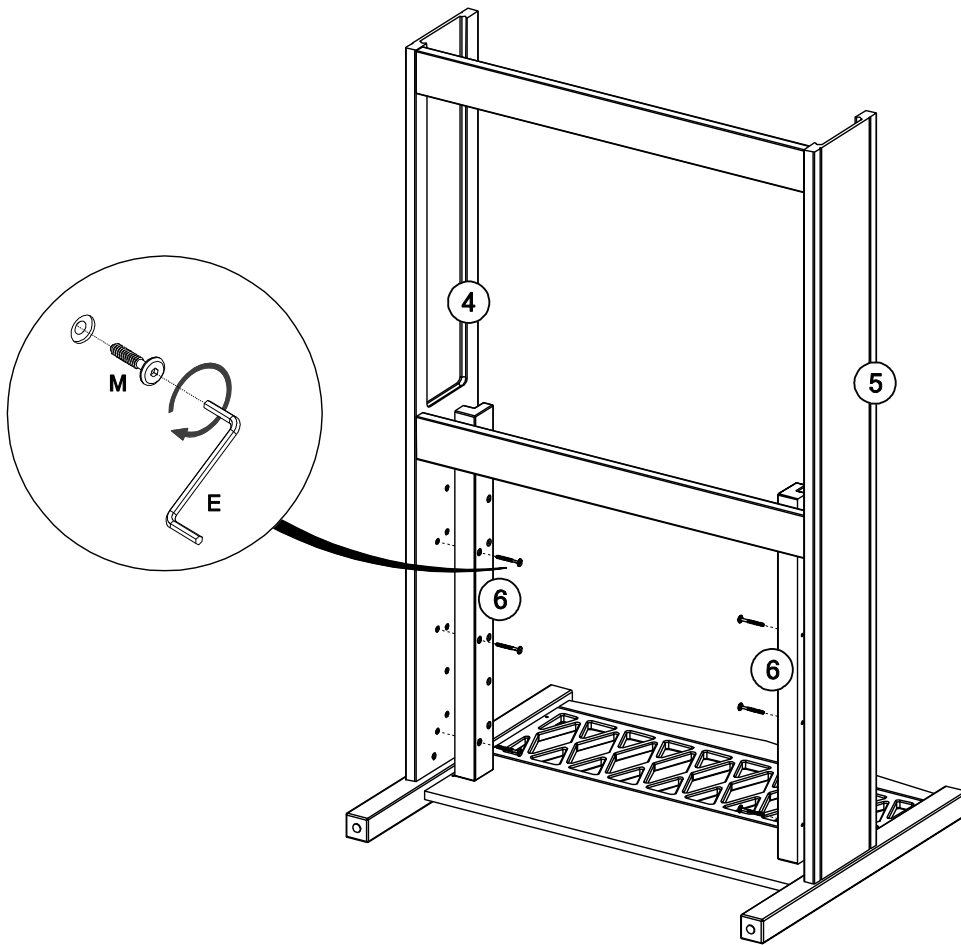


9. U  8x8,5 x4





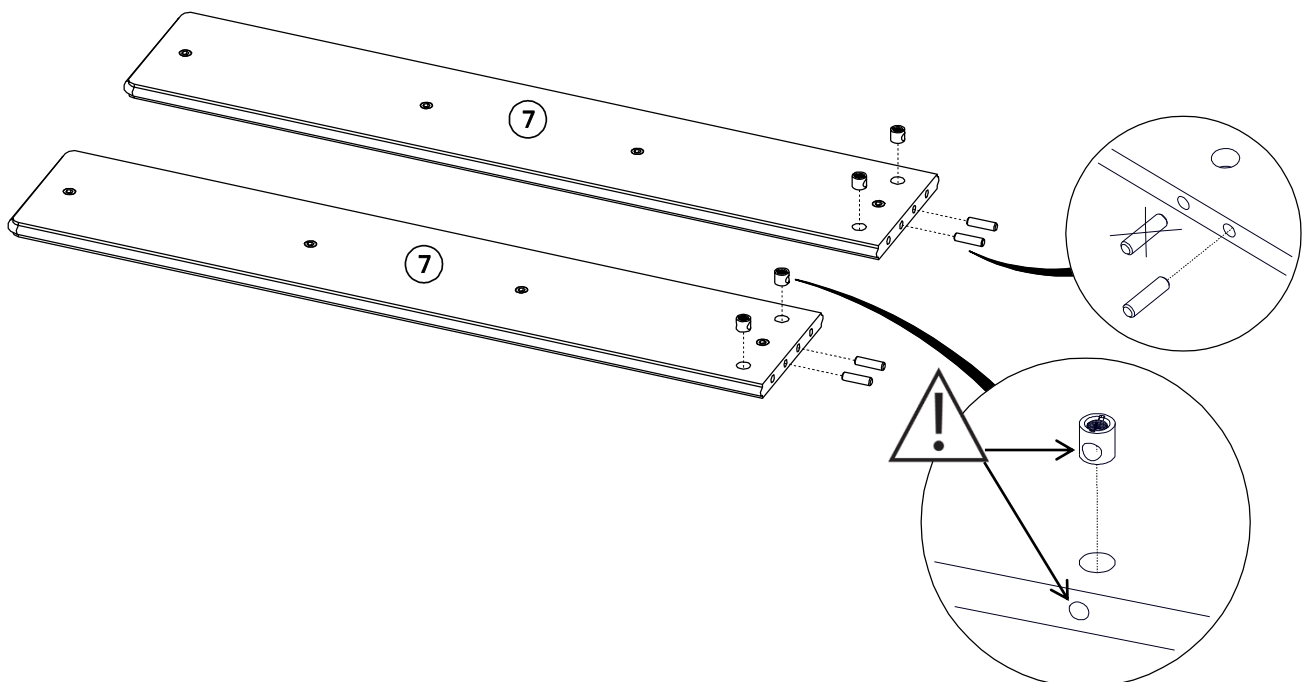
10.

M	 M6x55	x8	E		x1
---	--	----	---	---	----

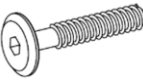



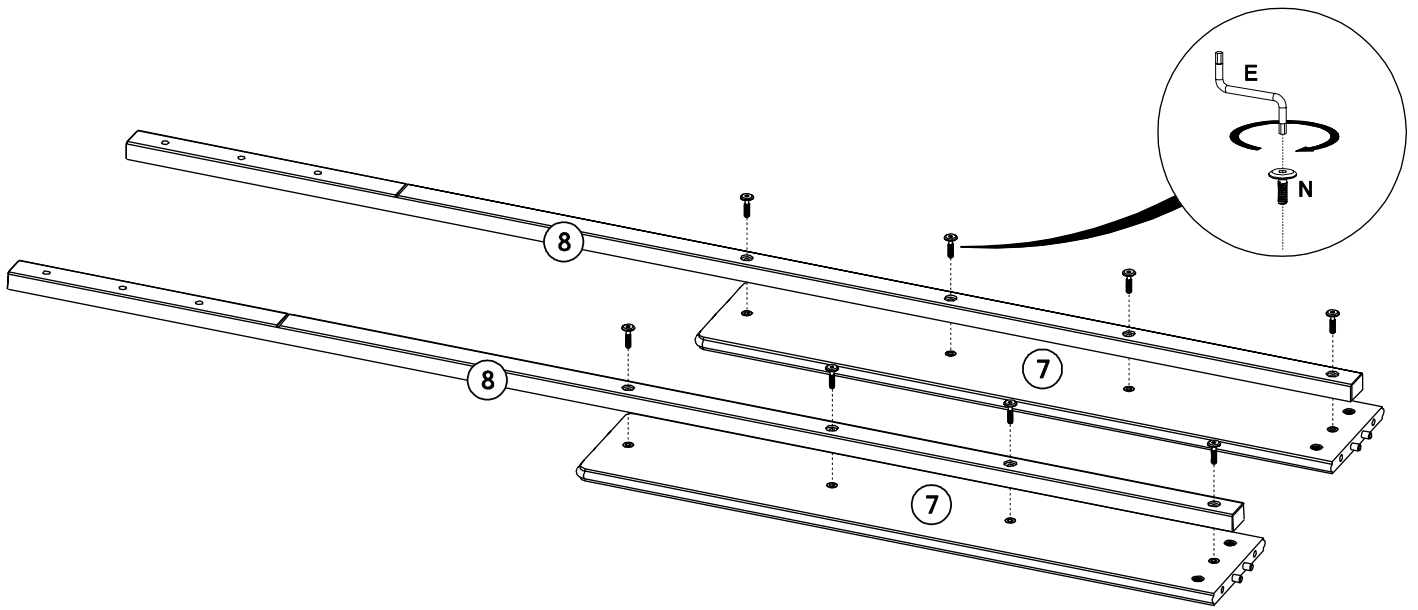
11.

A	 8x30	x4	T	 14x12	x4
---	---	----	---	--	----




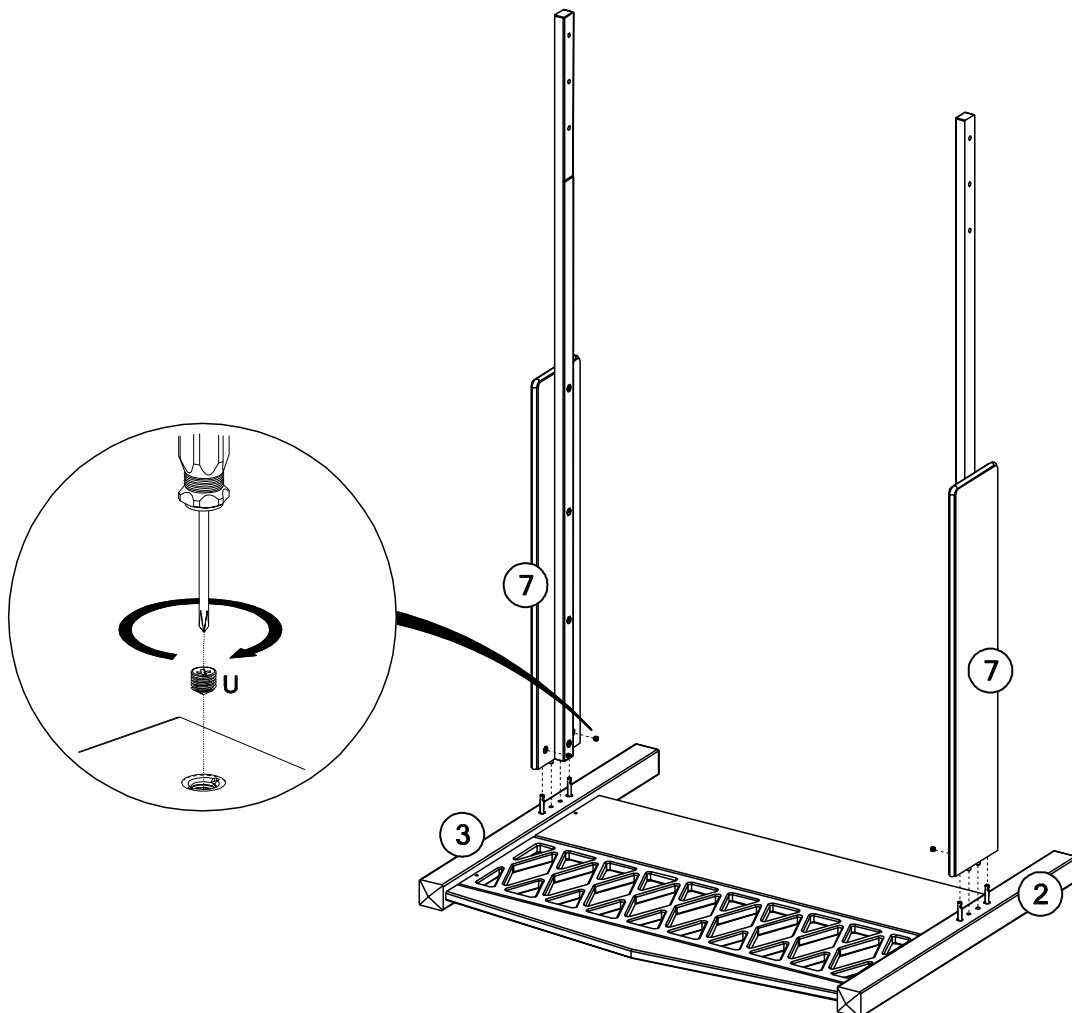
12.

N	 M6x25	x8	E		x1
---	--	----	---	---	----



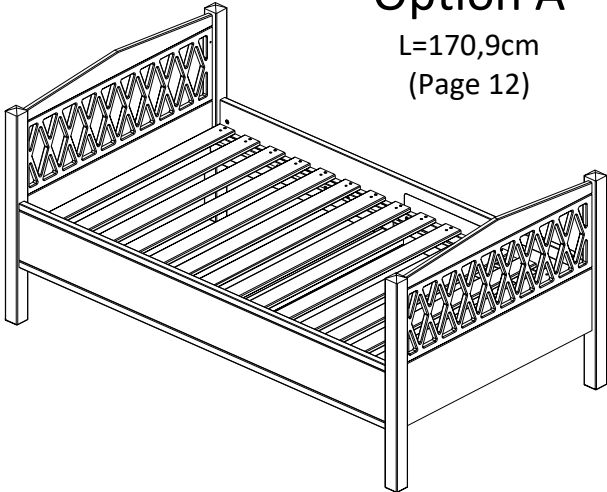
13.

U	 8x8,5	x4
---	---	----



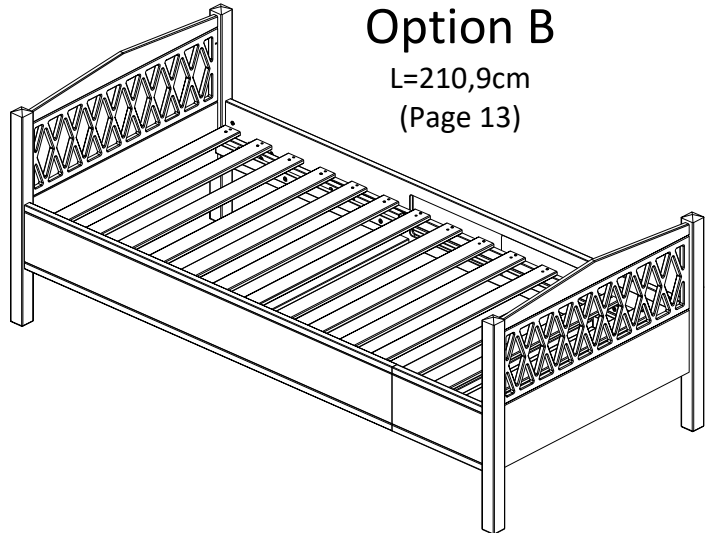
Option A

L=170,9cm
(Page 12)

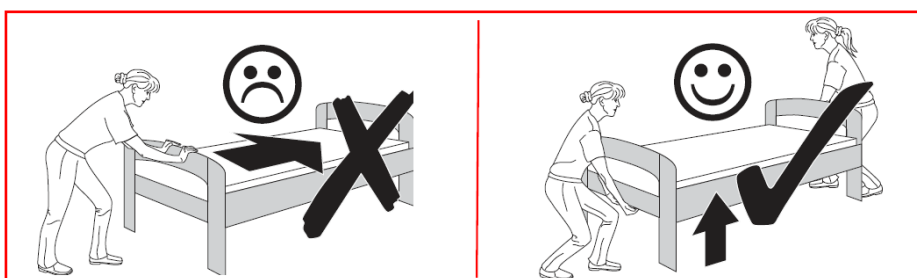
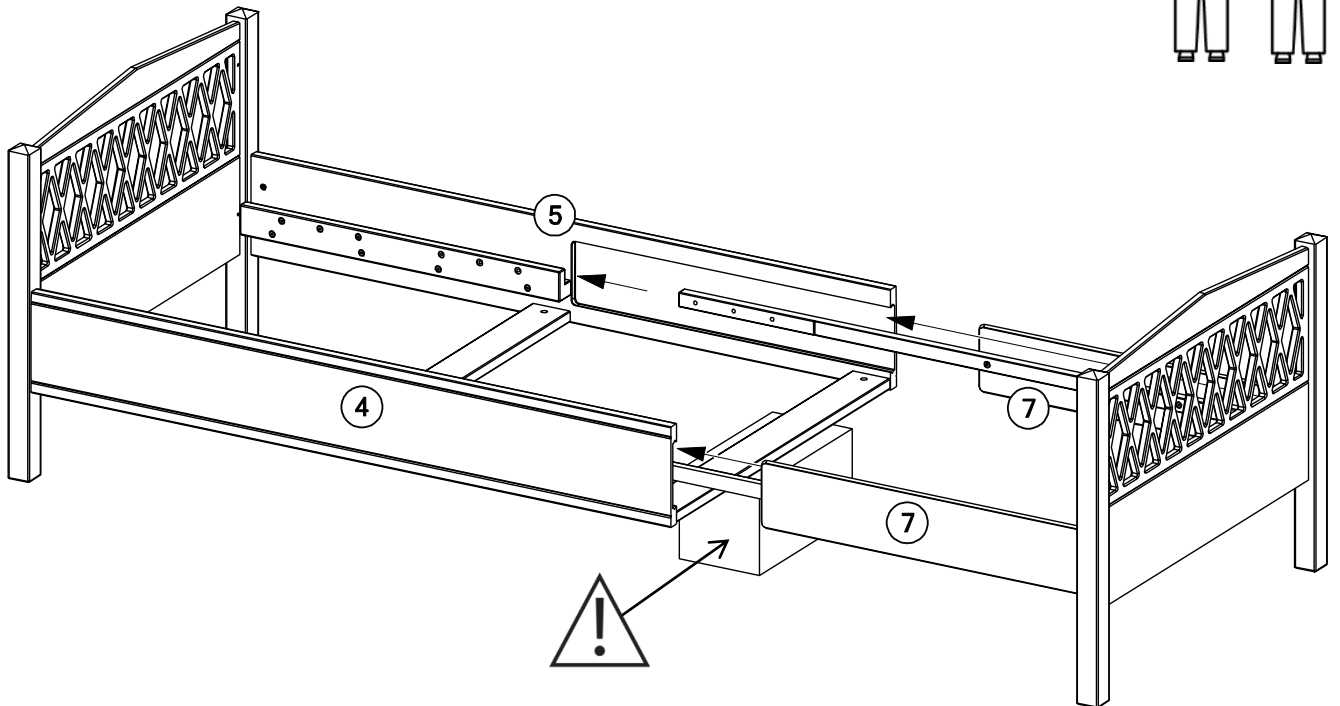
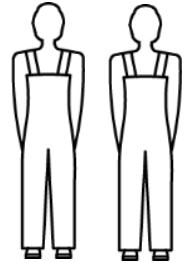


Option B



L=210,9cm
(Page 13)

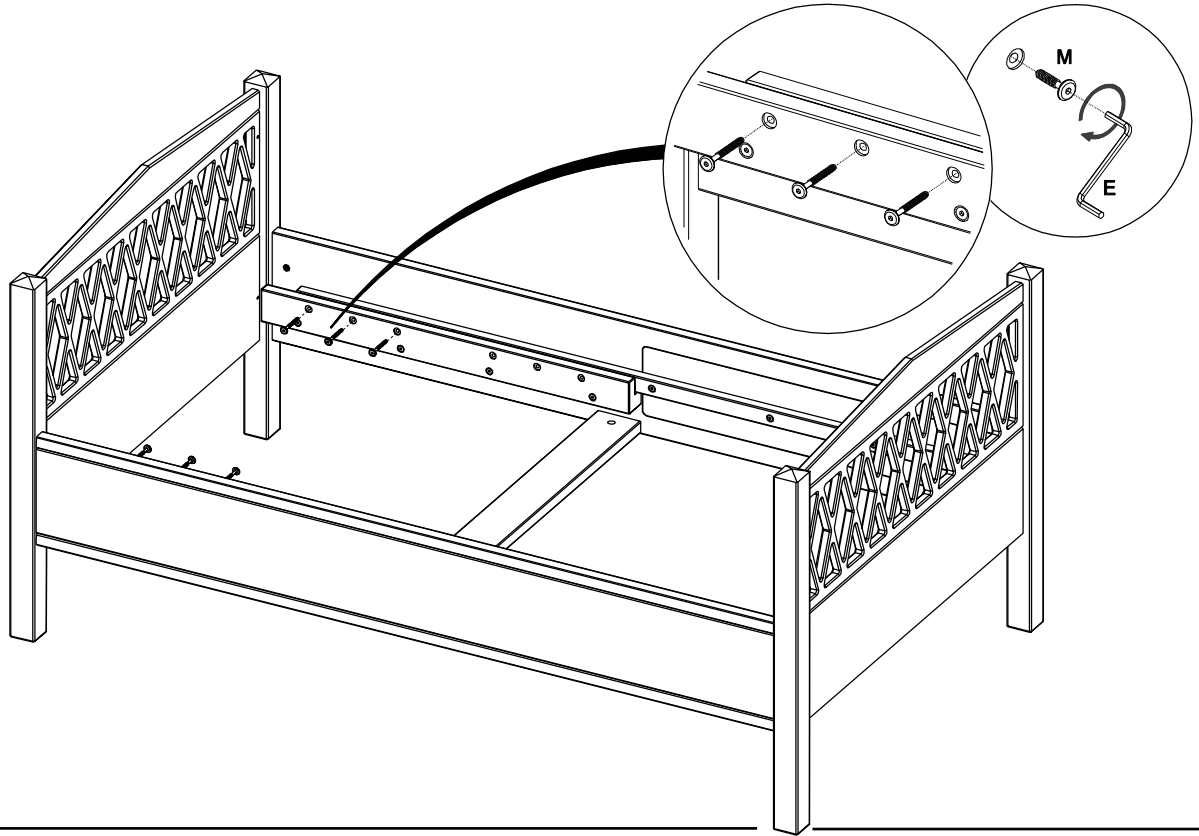


14. Option A

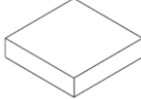



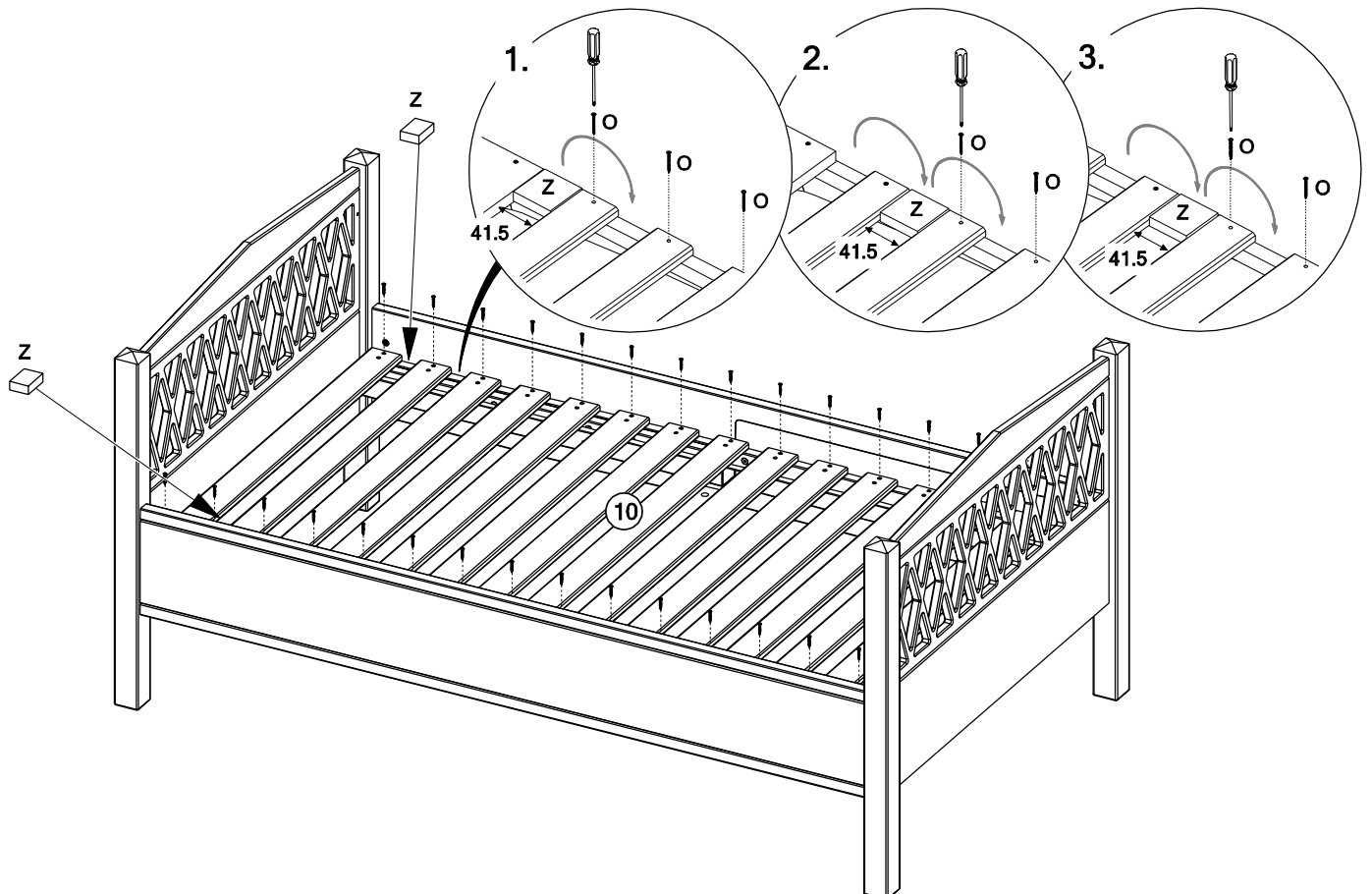
15. Option A

M		x6	E		x1
	M6x55				

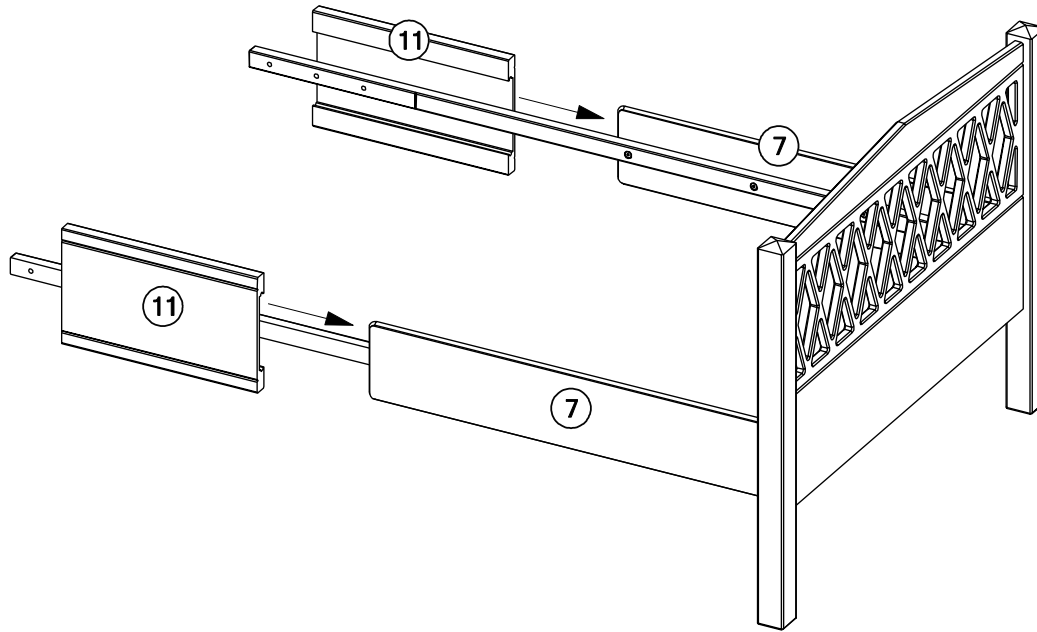


16. Option A

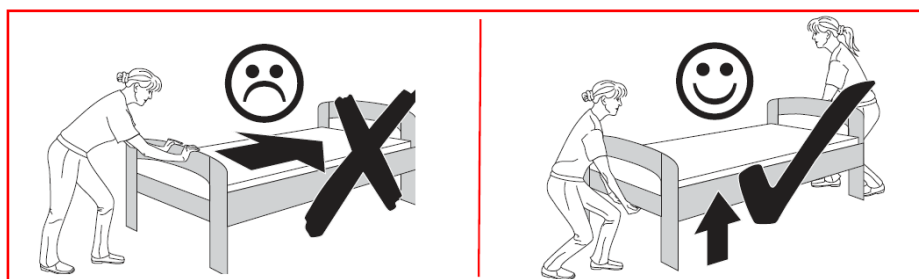
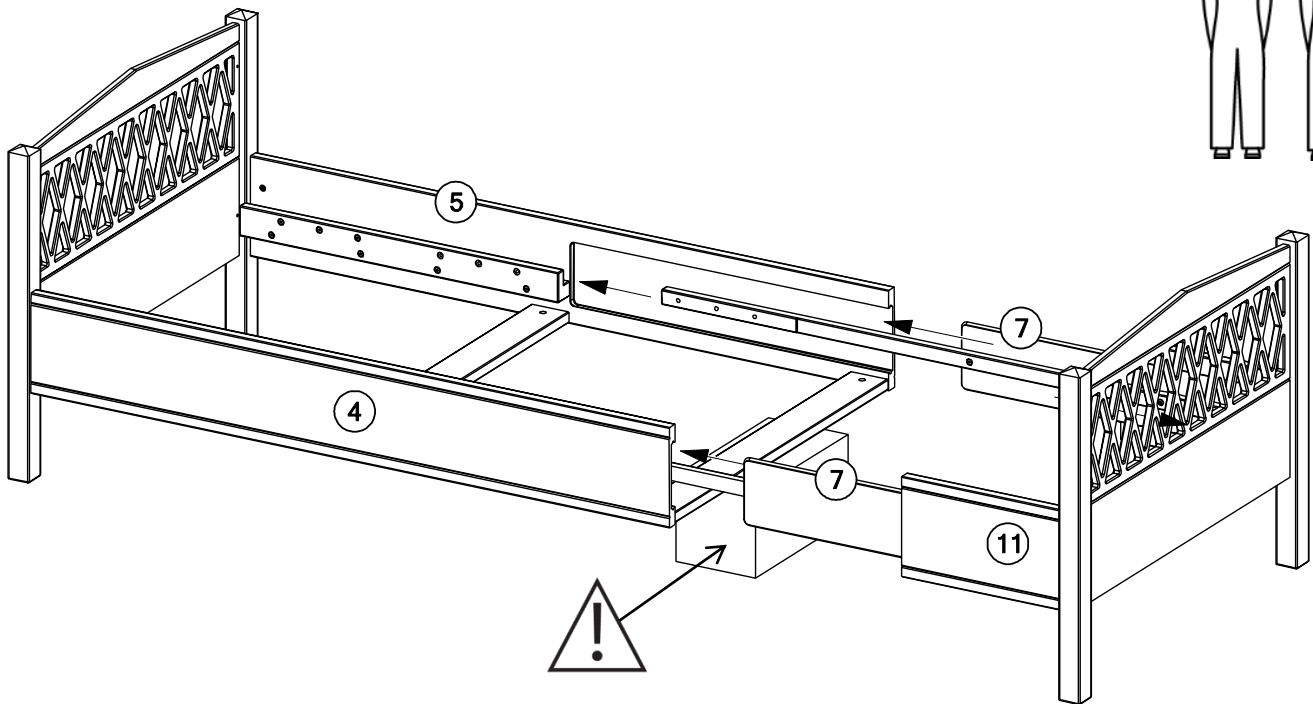
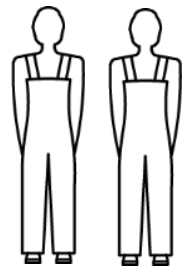
Z		x2	O		x30
	60 x 41.5			3.5x25	





14. Option B

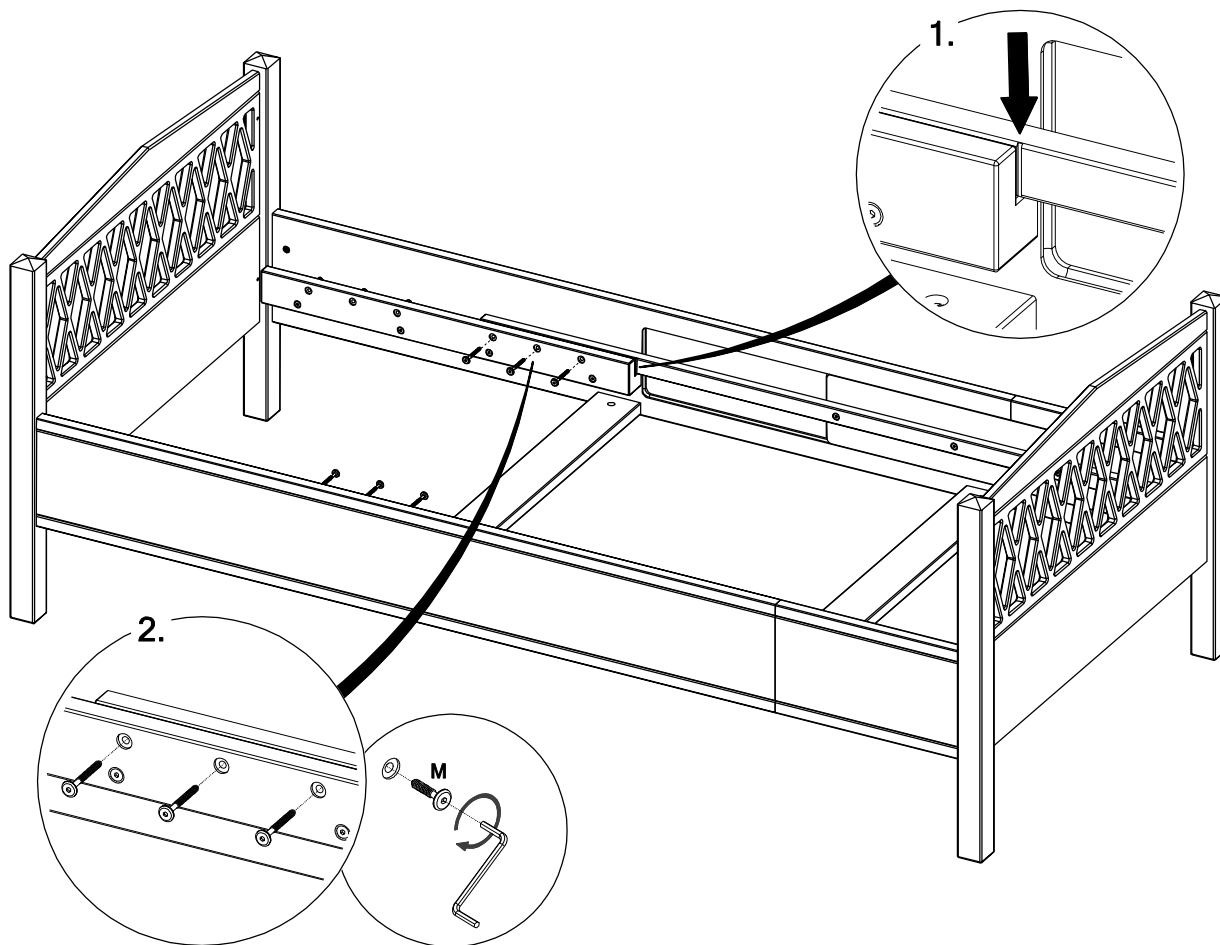


15. Option B




16. Option B

M		x6	E		x1
	M6x55				



17. Option B

O		x30
	3.5x25	

