

DAC•WRAP Installation

January 15, 2022

Remove DAC•WRAP from packaging and unroll on a flat surface. It's durable and flexible but its core is made of thin metal so it may crease and dent under bending or stress; however, this will not affect the performance. The cobalt alloy composition acts as a guide to deflect lines of magnetic flux: coverage is more important than a tight fit. Galvanic contact of foil sheets or grounding is not required: just a nominal overlap is okay when completing a loop.

DAC•WRAP's polymer film lamination is not electrically conductive and will not affect contact with cable grounds. DAC•WRAP is thermally conductive so it will only have a nominal impact on the internal temperature of DACs with radiative cooling. DAC•WRAP is not recommended for DACs with chassis air vents.

Single-Wrap

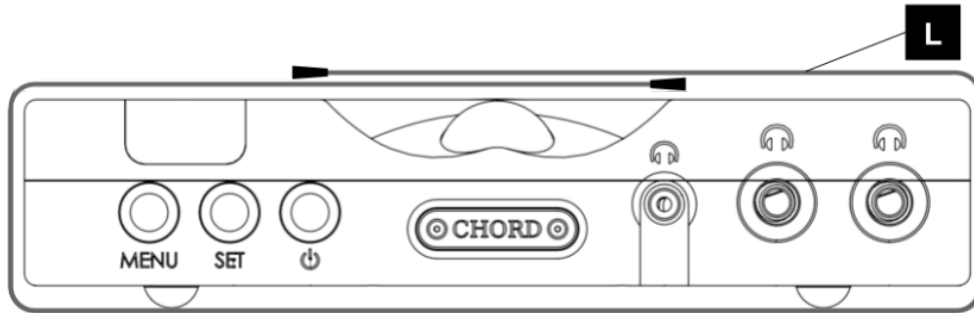
A single wrap provides protection from lateral field sources located up/down/left/right of the DAC, so audio rack components, monitor speakers as well as any electronics on the upper and lower floors are shielded. The front and rear of the DAC is exposed for practicality, so consider moving any potential sources on the same floor away from those angles for maximum shielding benefit.

Double-Wrap

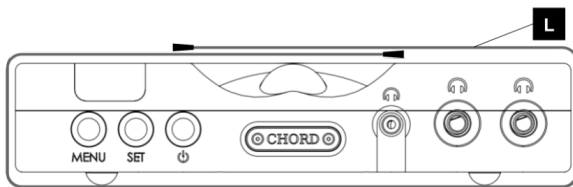
A double wrap adds front and back shielding from medial field sources and double shielding in the body of the DAC. Remote control of the DAC may be nominally unhindered as the foil surfaces are reflective to infrared and a remote signal may pass through gaps to the IR sensor. However, for convenience and reliability, utilize an IR repeater (user installed) as required.

Chord Electronics Hugo TT2

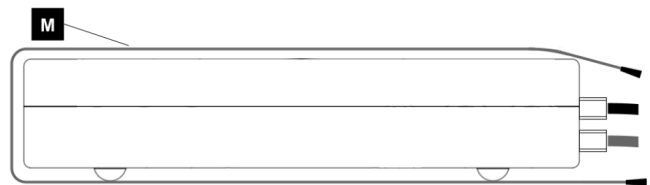
A single DAC•WRAP is a lateral **L** sheet that surrounds the TT2 DAC and gets tucked on top or underneath with a generous overlap. Install the wrap with the I/O connectors attached, if possible, as the front/rear overhang may make re-attachment cumbersome. Hold the DAC raised just enough to allow you to work the wrap fully around. With the DAC set back down you can then adjust the overlap by hand to get the wrap to fit as closely as possible. Use a small piece of tape or weight to hold the wrap in place.



A double DAC•WRAP sheet includes a lateral **L** and medial **M** sheet. As per the drawing below, first apply the medial sheet (front-back) and then apply the lateral sheet (left-right).



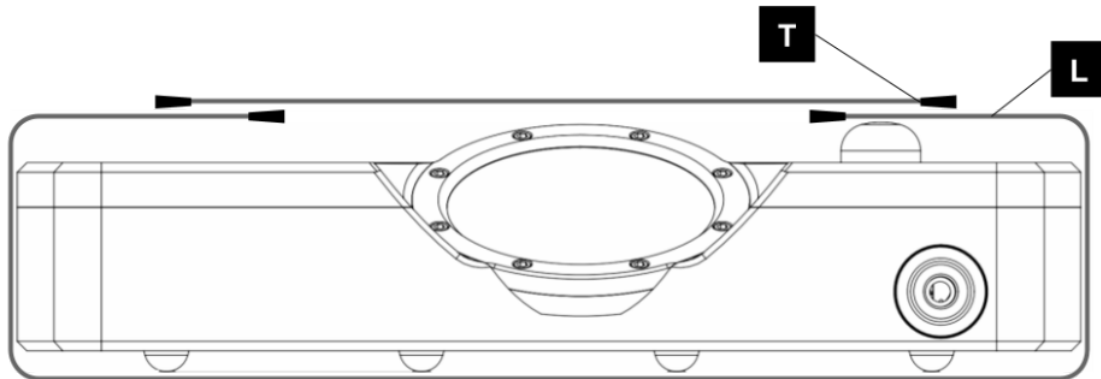
Single DAC•WRAP (Lateral Sheet)



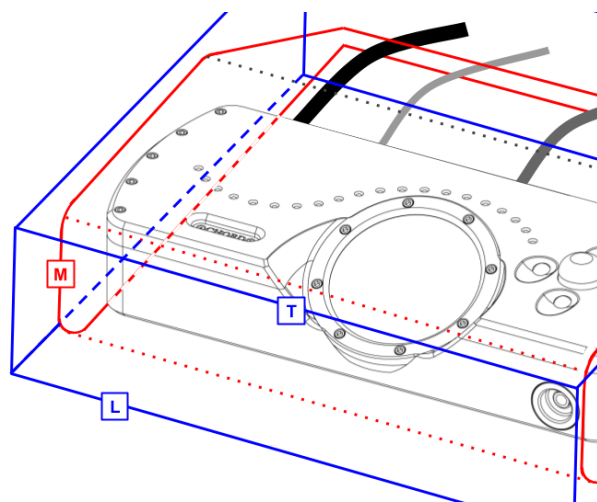
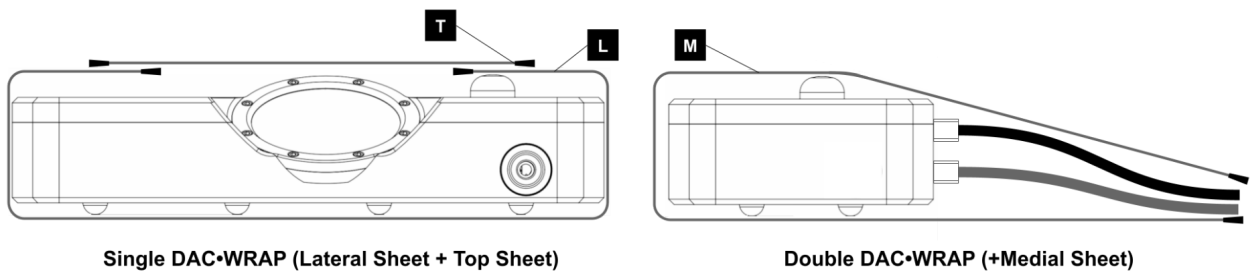
Double DAC•WRAP (+Medial Sheet)

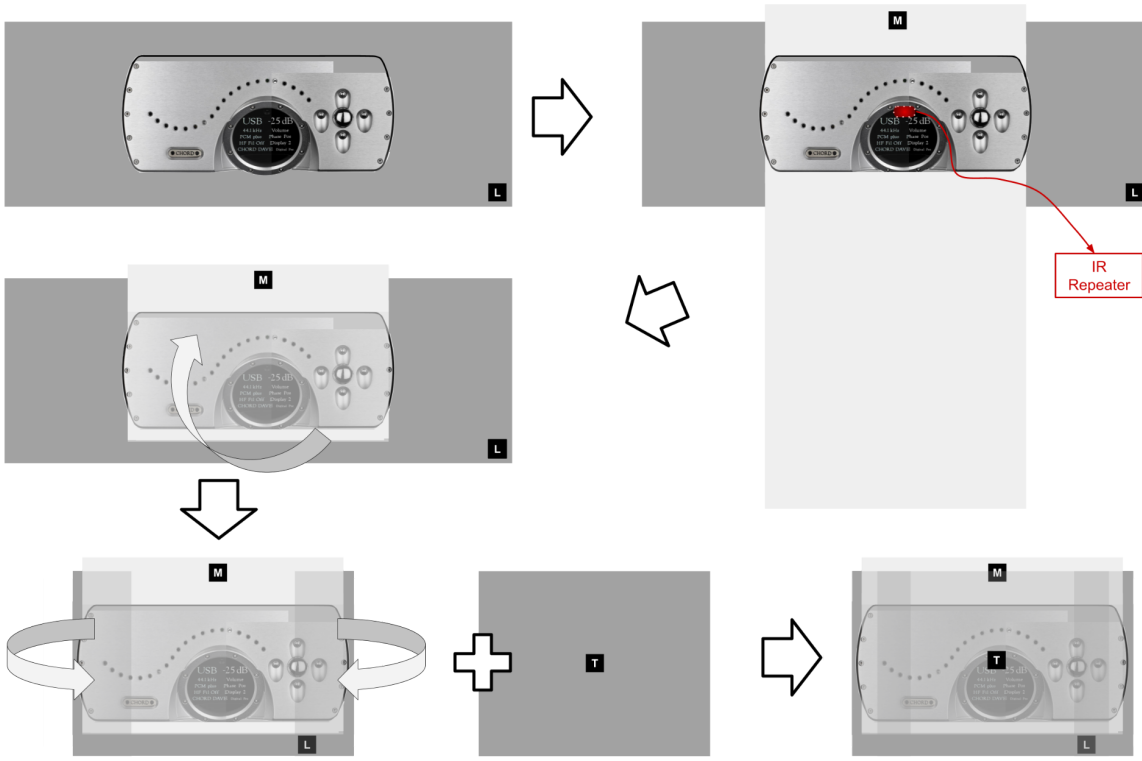
Chord Electronics Dave

A single wrapped DAVE requires two sheets. The lateral sheet **L** wraps around the side. The top sheet **T** rests on the top and is held in place with tape or a small weight. Note that you need to accommodate the volume control knob and display bezel on the top of DAVE's chassis.



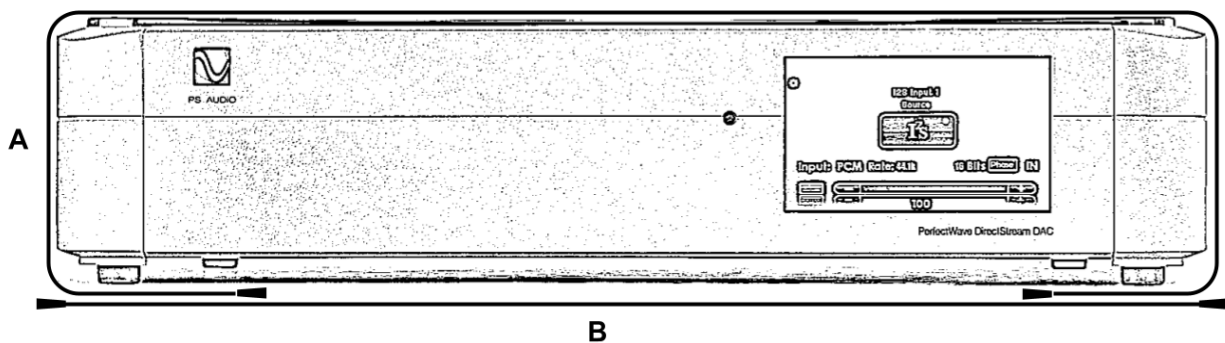
A double wrapped DAVE requires three sheets as below: first install the medial **M** sheet and then the lateral sheet **L** followed by the top sheet **T**.





PS Audio DirectStream DAC

DirectStream (MkI or MkII) requires two sheets of wrap. The main sheet (**A**) wraps around the top and sides to rest on the base sheet (**B**). To install, place the base sheet centered under DirectStream and then, with the connectors attached, lift the left side of DirectStream to tuck in the main sheet underneath. Then loop the main sheet over the top and tuck the right side under the DAC. With the DAC set back down you can then adjust the overlap by hand to get the wrap to fit as closely as possible. The weight of the DAC will hold the wrap in place.



Audiowise Technical Support

If you are experiencing any issues with installation or performance, please email support@audiowise.ca or text +1 905 407 8144.