

INSTRUCTIONS FOR PIBBS
PODOTHERAPY SPAS
FEATURING THE SANIJET
PIPE FREE SPA SYSTEM

MODEL No.
PS71/PS72/PS76P/PS77P/PS78/PS80A
PS84A/PS96P

PIBBS INDUSTRIES 133-15 32ND AVE, FLUSHING, NY 11354
TEL: (718)445-8046 (800)551-5020 FAX (718)461-3910
Be sure to visit us on the Internet at www.pibbs.com

PEDICURE EQUIPMENT CLEANING PROCEDURE FOR PODOOTHERAPHY SPA FEATURING SANIJET PIPELESS TECHNOLOGY

Introduction:

Pibbs Podotherapy Spas featuring SANIJET'S Pipeless jets have been independently certified for their ability to be thoroughly cleaned and disinfected by NSF International under the P-182 Protocol. The P-182 Protocol establishes minimum requirements for health and sanitation characteristics of Pipeless jets used in whirlpool baths and other hydrotherapy equipment intended for residential and institutional use. The performance requirement under the NSF Protocol states that the cleaning efficacy samples shall have an average bacterial count of less than 1 CFU/ml when evaluated. Call Pibbs at (800)551-5020 for a copy of the P-182 Protocol.

Facilities that provide spa pedicures and hydrotherapy foot treatments require specific cleaning and disinfection procedures to protect both the client and the technician. The disinfection procedure detailed on the following page will meet both the P-182 Protocol established by NSF for the proper disinfecting technique for Pipeless jets, and OSHA'S Directive CPL 2-2.69 regarding the protection of workers from the risk of contamination by blood borne pathogens. This procedure provides facility management and nail technicians with a standard cleaning guide for Pipeless Pedicure Equipment.

NOTE: This procedure does not require the pedicure equipment to be filled with a disinfectant between uses.

PIBBS INDUSTRIES 133-15 32ND AVE, FLUSHING, NY 11354

TEL: (718)445-8046 (800)551-5020 FAX (718)461-3910

Be sure to visit us on the Internet at www.pibbs.com

PIBBS PODOOTHERAPY SPAS FEATURING SANIJET PIPELESS TECHNOLOGY

Thank you for purchasing a Pibbs Podotherapy Spa. The Pipeless technology used in our Podotherapy Spas helps provide excellent hydrotherapy, quiet operation and the ability for quick, easy and certified cleanliness.

SANITATION CERTIFICATION: NSF International (nsf.org) confirmed that the Sanijet always be allowed.

Read and follow instructions before using this Pibbs Podotherapy Spa.

DANGER- to reduce the risk of electrical shock:

DO NOT reach for any electrical object that has fallen into water. Unplug immediately.

INSTRUCTIONS PERTAINING TO RISK OF FIRE. ELECTRIC SHOCK OR INJURY TO PERSONS:

1. **DO NOT** leave this appliance unattended when in operation.
2. **DO NOT** drop or insert anything into jet opening.
3. **DO NOT** operate this unit without the complete jets assembly installed or without water filled to the water level indicator above the jets.
4. **DO NOT** overfill.
5. **DO NOT** stand on or in the pedicure sink. Use only while seated.
6. **USE** the Pibbs Podotherapy Spa only for its intended purpose: a fill and drain appliance for foot and ankle hydro massage. **DO NOT** use attachments not recommended by the manufacturer.

WARNINGS

1. Risk of accidental injury or drowning: Children, invalid or disabled persons should not use a hydro massage pedicure sink without adult supervision.
2. To avoid injury, exercise care when entering or exiting the pedicure sink.
3. Risk electric shock: **DO NOT** permit electric appliance (e.g. hair dryer, lamp, telephone, radio, television, etc.) to be within 5feet (1.5m) of this pedicure sink.
4. Keep the electrical cord away from heated surfaces.
5. Connect this appliance only to a properly grounded outlet.
6. Risk of hypothermia and possible drowning: water temperature in excess of 104°F (38°C) may be injurious to your health. Check and adjust water temperature before use.
7. **RISK OF ELECTRIC SHOCK:** Disconnect from electrical supply before serving.
8. Hydrotherapy should be pleasant and comfortable.

9. Should you experience any pain or discomfort while using the pedicure sink, discontinue use immediately and consult your physician.
10. Consult your physician if you are diabetic, have poor circulation, if any area of your feet or if you have any questions about whether you should be using hydro massage equipment.
11. Unless thoroughly cleaned after each use, bath residue will build up within the jets and on the surface area of any whirlpool pedicure sink, which can promote the growth of bacteria.

INSTRUCTIONS-Prior to USE

WARNING: When using electrical products, basic precautions should always be followed including the following:

1. **IMPORTANT:** Read complete instructions before use.
2. This unit requires a 115 volts, 60 Hertz, 2 Amp service and is provided with a power cord with a NEMA 5-15 electrical plug. It is recommended that the unit be connected to a circuit protected by a permanent or portable ground fault circuit interrupter (GFCI). Grounding is required.
3. Remove the appliance from the carton and retain the shipping carton and packing material to reuse in case service becomes necessary. **DO NOT** lift the appliance by its motors, motor shields or electrical cord. Remove the stretch wrapping from the unit and be careful not to apply any pressure to the motor shields.
4. Immediately upon receipt, inspect the entire appliance for any obvious damage **BEFORE** using. Should inspection reveal any damage or defect in the finish, do not use the pedicure sink. Pihhs Industries responsibility for shipping damage ceases upon delivery of the product in good order to the carrier. Refer any claim for damage to the carrier.
5. All pedicure units are factory tested for proper operation and watertight connections prior to shipping. Note: The unit must be filled with water and operated to check for leaks that may have resulted from shipping damage or mishandling.

GROUNDING INSTRUCTIONS

This unit must be grounded. Connect only to an electrical service that is protected by a Ground Fault Circuit Interrupter (GFCI) can be either permanent or portable and should be tested on a routine basis. To test the (GFCI), push the test button. The (GFCI) should interrupt power. Push the reset button. Power should be restored. If the (GFCI) fails to operate in this manner, there is a ground fault, indicating the possibility of electrical shock. **DO NOT USE THE UNIT.** Disconnect the unit and have the problem corrected by a qualified service representative or an electrician before using.

CLEANING AND MAINTENANCE

USING BATH ADDITIVES

Enhance your client's pedicure bath experience with essential oils, aromatherapy products and other additives knowing all residues can be easily and completely removed. The Pipeless Reflexology Pedicure Baths can be used with most foot and skin care products, provide the Cleaning and Disinfection protocols are adhered to systematically.

PRODUCTS NOT RECOMMENDED:

- ❖ Silicate based bath additives/scrubs-may void warranty
- ❖ High foam agents (use only low foam solutions)
- ❖ Abrasive cleaners that might damage the basin or system components.

If you have any questions on products to be used with your Pipeless Reflexology Pedicure Baths, please contact Pibbs Industries at (718)445-8046 or (800)551-5020

PIBBS INDUSTRIES 133-15 32ND AVE, FLUSHING, NY 11354

TEL: (718)445-8046 (800)551-5020 FAX (718)461-3910

Be sure to visit us on the Internet at www.pibbs.com

TROUBLE SHOOTING

NO POWER/ NO OPERATING

1. Power supply
 - a. Ensure switch box power cord is properly plugged into an operational 115 VAC, GFCI power supply.
 - b. Check GFCI reset and circuit fuses.
2. Dry Run Sensor Reset:
 - a. Note: A dry run sensor automatically resets the Pipeless Reflexology pedicure bath if no water is present or if unit had been inadvertently turned or left on.
 - b. **DO NOT OPERATE JET SYSTEM WITHOUT WATER FILLED AT LEAST 1" ABOVE THE JETS.**
 - c. Reset the motor by unplugging the system, waiting 5 seconds, then plugging system back in again.
3. Jet Assembly Alignment
 - a. Check jet assembly is locked in the 9 o'clock "run" position in the jet motor case.
 - b. Ensure magnetic rotor impeller is correctly installed in the jet motor case.
 - c. Inspect separator plate to ensure proper assembly in the jet escutcheon.
 - d. Inspect separator plate to ensure magnets (2) are present and properly installed.

EXCESSIVE NOISE

1. Remove jet assembly (escutcheon and separator plate) and inspect for buildup, debris or damage. Clean or replace if necessary.
2. Remove magnetic rotor impeller and inspect for dirt buildup or debris. Clean or replace if necessary.
3. Switch rotor to other jet to test. (Note: Jet assembly must be reassembled and water refilled 1" above jets for proper test)
4. If noise persists, contact Pibbs Industries for motor replacement information.

PIBBS INDUSTRIES 133-15 32ND AVE, FLUSHING, NY 11354

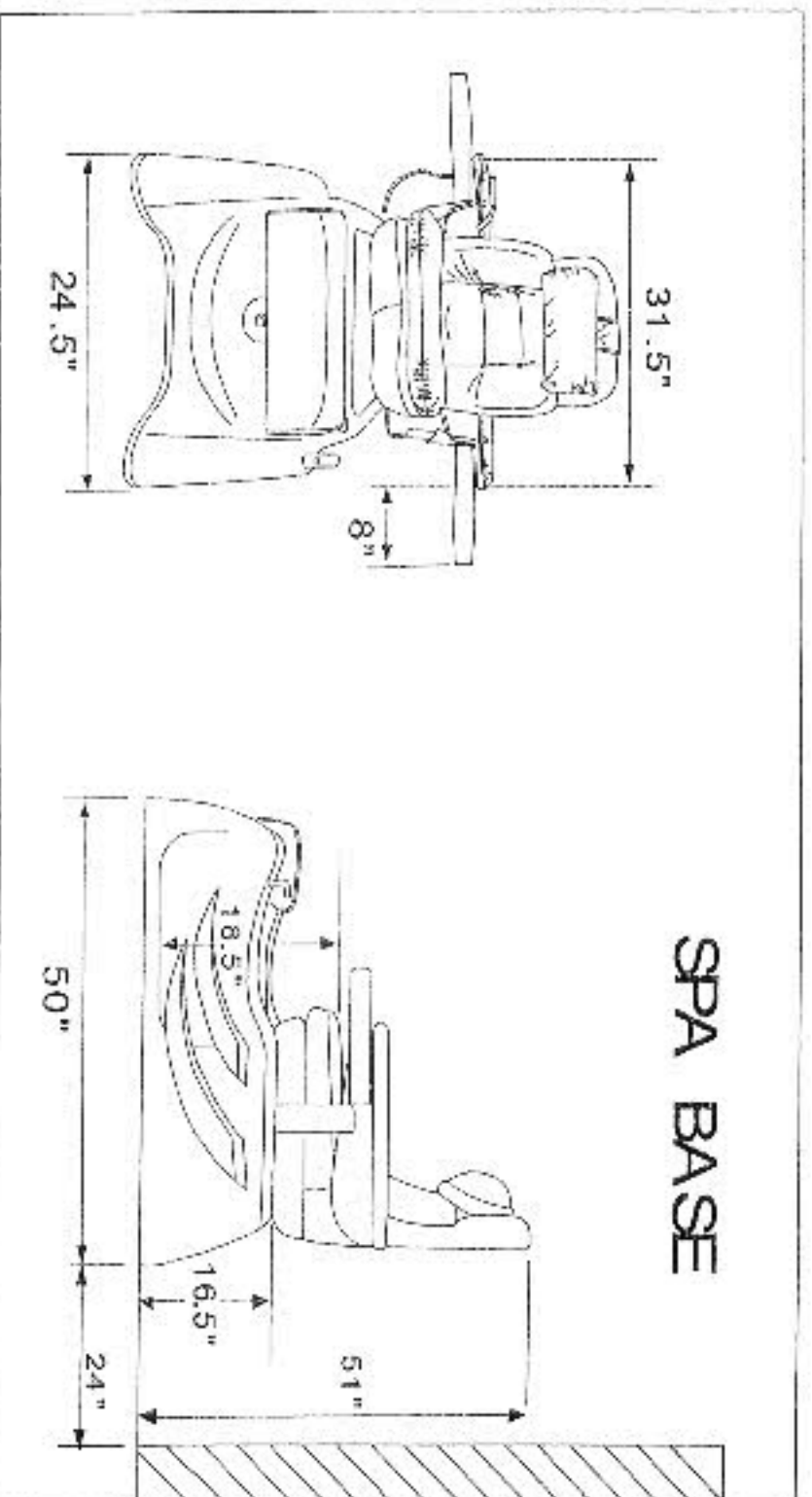
TEL: (718)445-8046 (800)551-5020 FAX (718)461-3910

Be sure to visit us on the Internet at www.pibbs.com

The installation must comply with local , state , and national building, plumbing and electrical codes, where applicable. A licensed plumber should complete the plumbing of the foot spa.

- Step 1 : Location

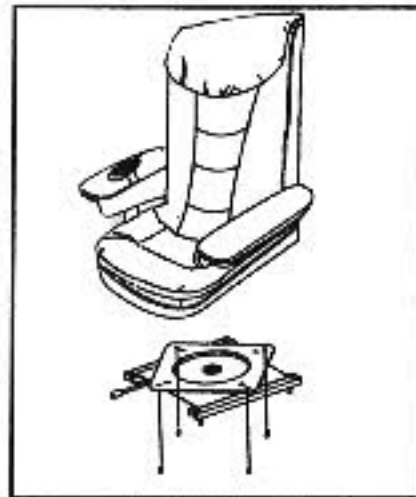
Select a level location where the floor structure beneath the Footspa is capable of supporting the Footspa. For the seat back to fully recline the Footspa base must be mounted a minimum distance from the wall.



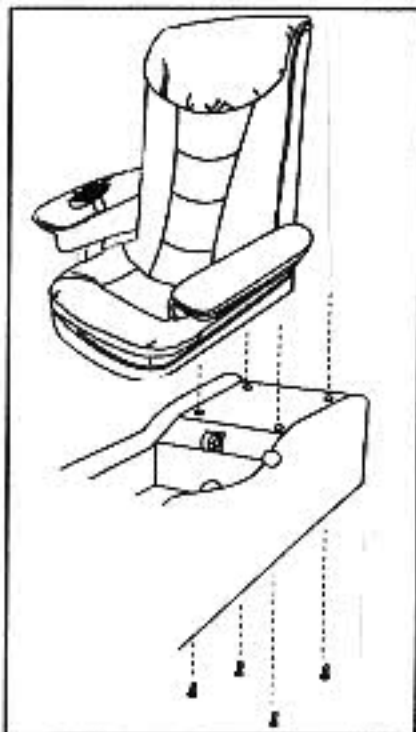
Your Foot spa is shipped with base chair already attached at separate carton box. However, you must install the chair as below.



Suit the holes of chair arm to the metal frame at the bottom of chair seat then



Suit the holes of swivel to the metal frame at the bottom of chair seat then lock it by enclosed tool.



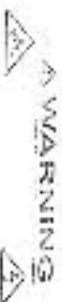
- Insert four bolts with washer into hole of spa.
- Lock washer and nut from the below of spa base.
- Make sure lock it tightly for safety.

USER'S MANUAL

PIBBS INDUSTRIES
133-15 32ND AVE
FLUSHING, NY 11354
PIPE FREE



CLEAN-RELIABLE-WORRY FREE



When using electrical equipment, basic safety precautions should always be followed to reduce the risk of fire, electric shock, and injury to persons, including the following:

1. Read and follow all instructions before using the equipment.
2. Keep the cord out of heavy traffic areas. To avoid the hazard NEVER put the cord under rugs, near heat, or in running lawnmowers.
3. Always turn off the equipment before servicing.
4. Do not trip or insert any object into any openings.
5. Do not operate any equipment with a damaged cord.
6. Any other use not recommended by the manufacturer may void the stock or injury to persons.
7. Never use outdoors.
8. Do not attempt to repair or adjust any electrical or mechanical functions on this unit. Doing so will void the warranty.

After reading this owner's manual, if you have any questions or comments, contact us at 1-800-633-4638 or contact our American customer department at SALES@PIBBS.COM or visit our website at www.pibbs.com for more information.

PLEASE READ AND SAVE THESE IMPORTANT SAFETY INSTRUCTIONS

FEATURES - OPERATIONS

Dura-JET III Features

- Sanitizable - Easy Cleaning - Hygiene First
- Vibration Heavy duty water saving technology- extremely durable
- Dual powerful massage - jet streams with air control
- Easy to install - clean & re-service
- Manufactured in USA

Dura-JET III Installation

1. Describe the surface of the tub that you want to install the unit, ensure that the surface is flat
2. Locate a position to drill a hole with the dimensions as shown in Fig. 1
3. Insert the unit into the hole from inside the tub (Note: It is recommended that the air hoses should be pulled together in the top position while inserting the pump. This makes the pump insertion into the hole easier. Please refer to Fig. 1 below.)
4. Connect the air hoses connector to air control button
5. Use a hand screw driver to tighten the four screws
6. Plug the power cord of the unit into the 50A power box

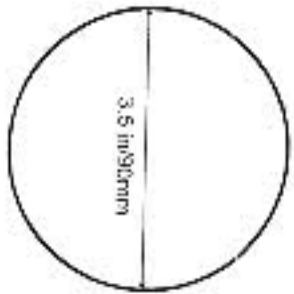


Figure 1. Drill location

Attention: Any modification to the Dura-JET III will void the warranty

Cleaning Instructions

1. Ensure the unit is off
2. Remove the front cover
3. Remove the strainers and the impeller cover
4. Use anti-bacterial and/or bi-killers at the plastic cover
5. Reassemble the system

WARRANTY INFORMATION

TWO (2) YEAR LIMITED WARRANTY

1. This Warranty applies only to the engine purchase of this product
2. This Warranty applies ONLY to repair or replacement of any supplier or manufactured parts of this product. The warranty does not cover disposal or disposal unit
3. This warranty is void if not used by law. The LUBACO Technology, Inc. will not be held responsible for any injury, property or any accidental or consequential damages of any kind resulting from malfunctions, defects, misuse, improper installation or a violation of this product.

Important Instructions

If you need to send a unit to us for service, please follow the steps below.

1. Carefully pack the unit in its original carton or other suitable box to avoid damage in shipping.
2. Before packing your unit, be sure to include:
 - Your name with a full shipping address & telephone number
 - A dated report to PROOF OF PURCHASE
 - Attach a paper with label the problem you are having

Dura-JET Specifications

- Voltage: 120V
- Frequency: 60-62
- Power: 50W

PIBBS INDUSTRIES

133-15 32nd AVE
FLUSHING, NY 11354
TEL: 718-445-8046