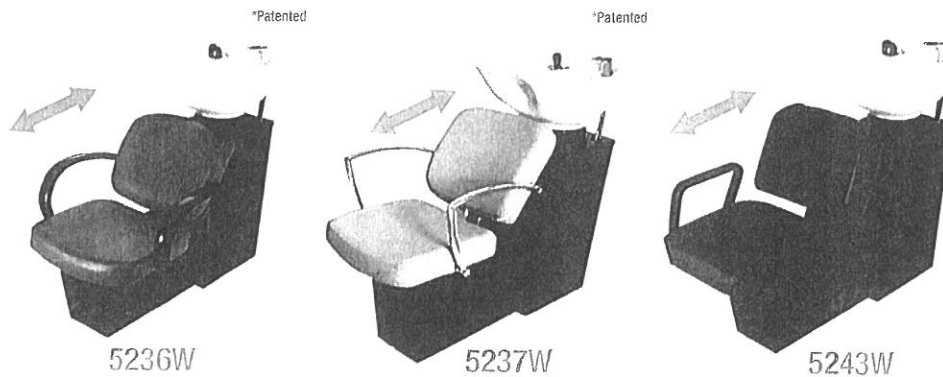




## BACKWASH UNIT INSTRUCTION MANUAL

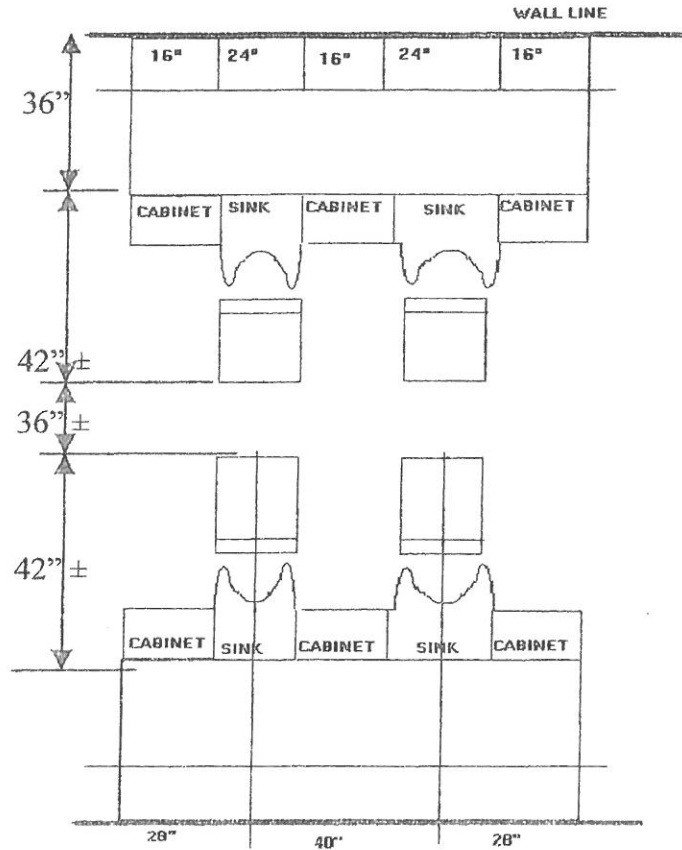
### 5236W& BL/5237W&BL/5243W&BL



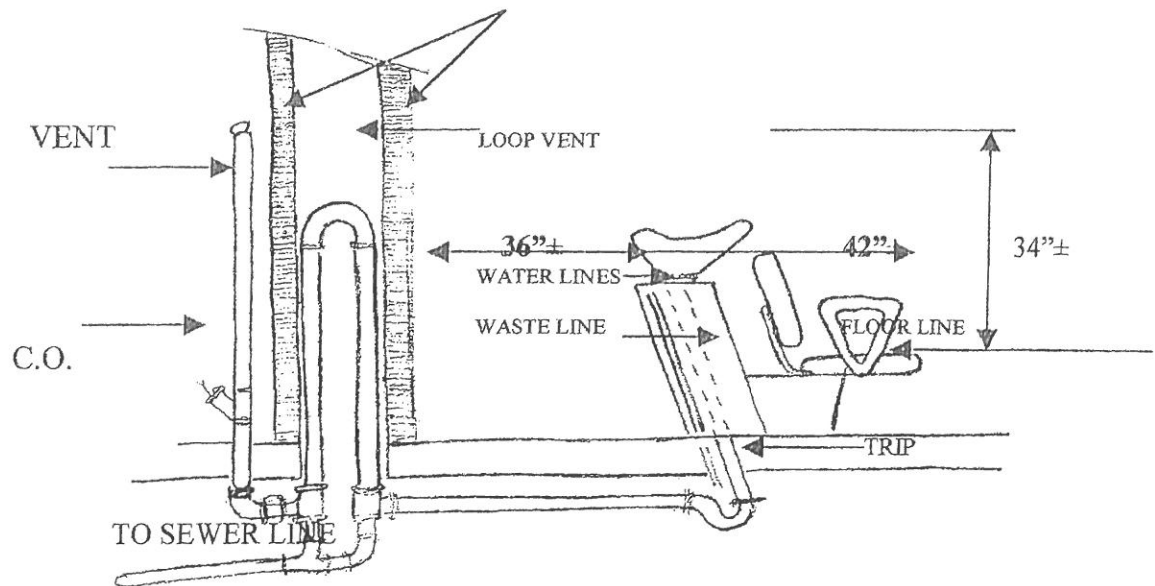
**PLUMBING REQUIREMENTS:** All plumbing to be planned and performed by a qualified, licensed plumber. We cannot be responsible for knowing all local plumbing codes. Therefore, it is solely your responsibility to check your plumbing plan layout with your local plumbing inspector prior to starting any and all plumbing work.

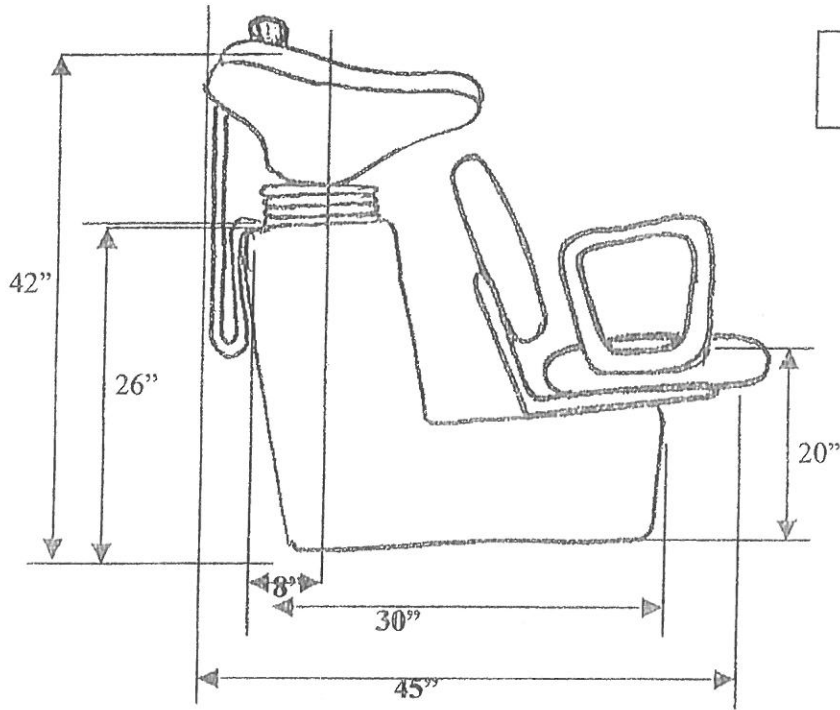
**NOTE:** The 5236-5237-5243 white or black bowl is shipped partially assembled for your convenience. That unit must be bolted ( **BOLTS NOT INCLUDED** ) to the floor using the mounting located at the bottom of the shampoo bowl casing using the following guidelines.

- 1.- Place the unit in the desired location
- 2.- Drill a small pilot hole using the mounting holes in the casing as a guide.
- 3.- Bolt the casing down to the floor with appropriate bolts for your type of floor.
- 4.- Bolts not included with the unit.



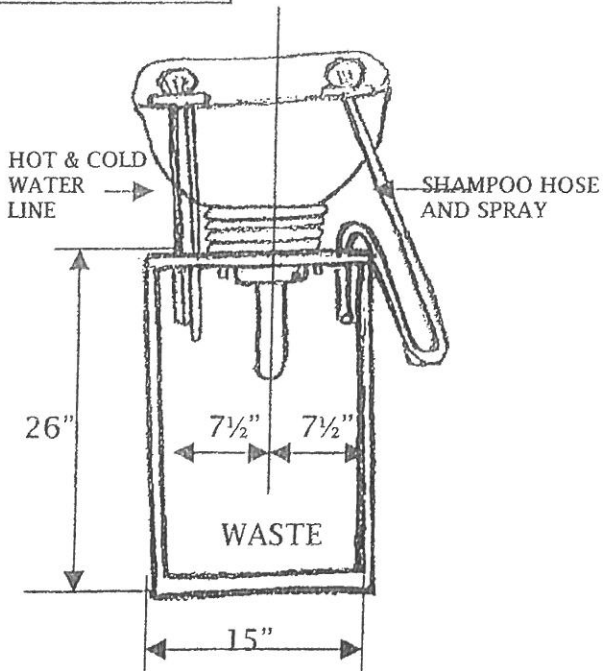
WALLS



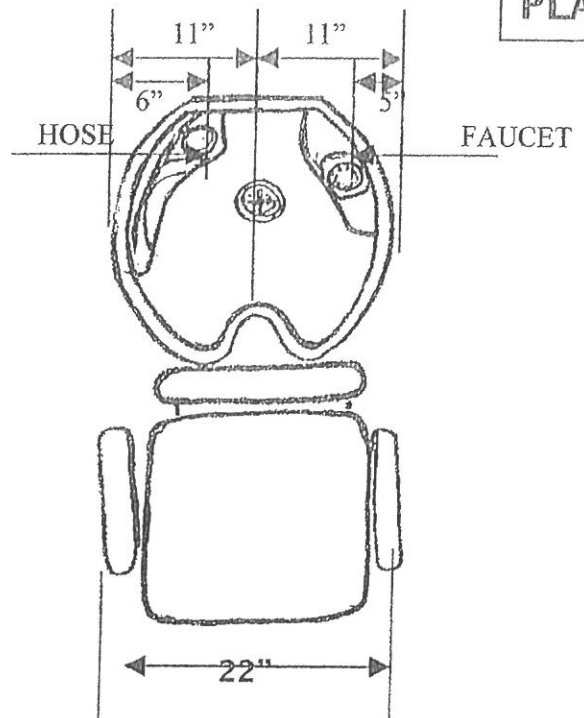


SIDE VIEW

REAR VIEW



PLAN

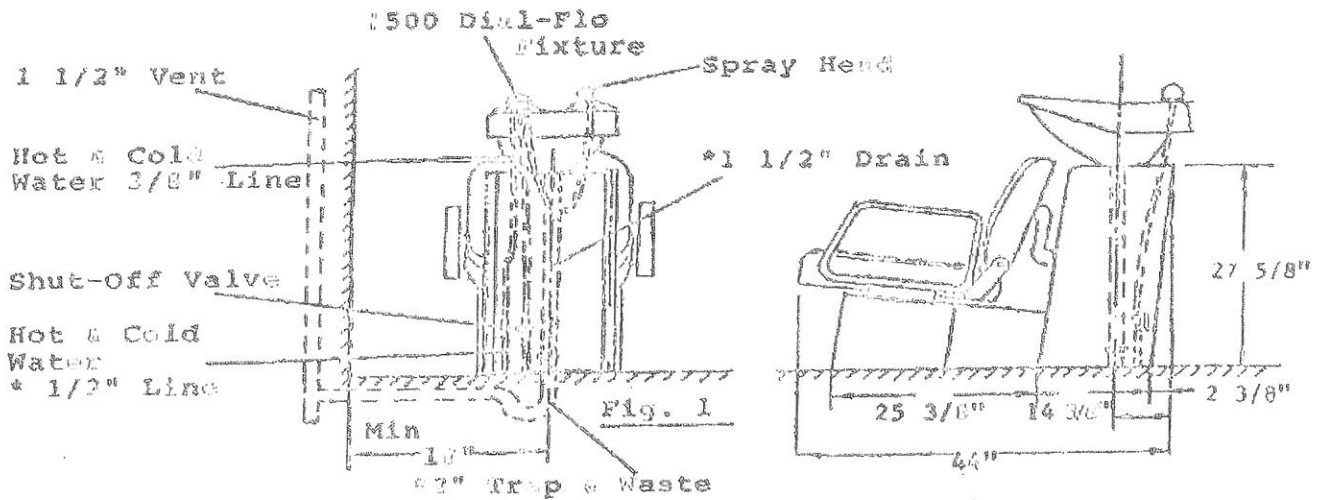




Pibbs Industries  
Saton Furnishings

## SUGGESTED PLUMBING INSTALLATION

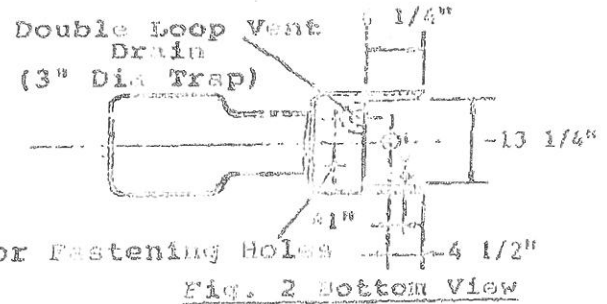
### A. PLUMBING FROM FLOOR W/F TRAP (SINGLE UNIT)



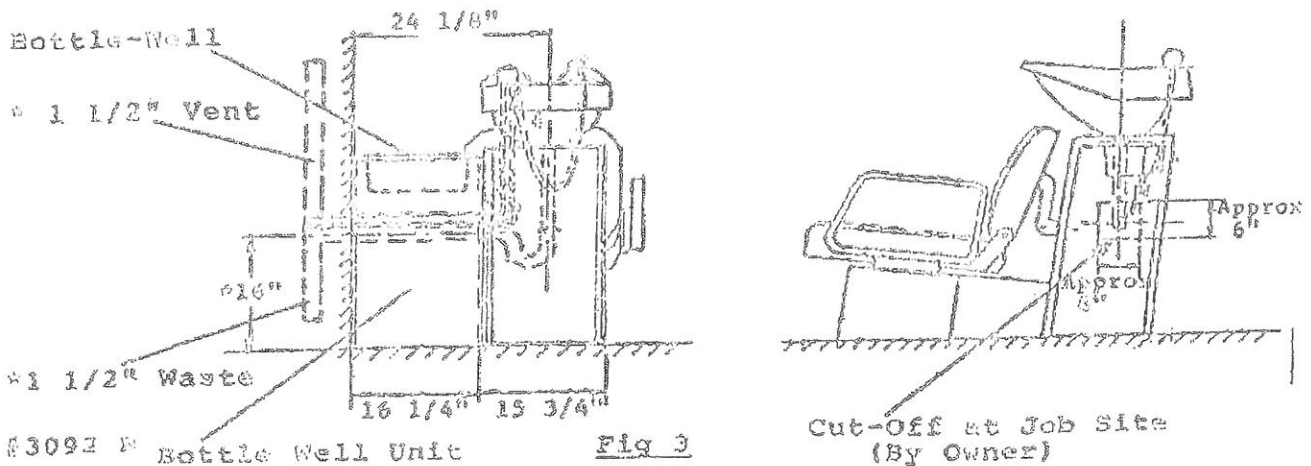
**NOTE:**

\*These dimensions must follow the local plumbing code. Please refer to your plumber.

The unit must be secured to floor in proper manner.



### B. PLUMBING FROM SIDE WALL W/F-TRAP



Application for Extension      Type: Plumbing      Board Meeting Date:      10/1/2008

Manufacturer: P. S. Pibbs Industries

Product Name      Model      Action      Approval Code : Expiration Date/Tabling Reason



Commonwealth of Massachusetts  
Division of Professional Licensure  
Board of Examiners of Plumbers and Gasfitters  
4th Floor  
239 Causeway Street, Boston, MA 02114

P. S. Pibbs Industries  
133-15 32nd Ave.  
Flushing  
NY, 11354 USA

October 3, 2008

You are hereby advised that on 10/1/2008 the Board took action pursuant to your application(s) for extended Product-approval for product(s) as indicated on the attached list.

**Approvals**

The approval number(s) displayed have been granted. Please be advised, the product shall be installed in compliance with CMR 248, the Massachusetts Fuel Gas and Plumbing Code. Your extended Product-approval is in effect for three years beginning 10/1/2008. At the expiration of the extended three year Product-approval it will be necessary for the manufacturer to petition this Board for an additional three year extended Product-approval. You are further advised that the preceding Product-approvals are not to be construed as an endorsement of these products nor is this letter to be used or reproduced as advertisement of the products.

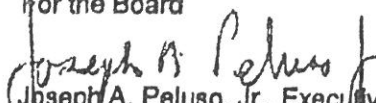
**Tablings**

If an extended Product-approval was Tabled for 'insufficient receipt of (a specified) fee', forward the balance of the fee due, directly to the Board Office at the address shown above. Additionally, if this is the only reason for the Tabling decision, you will not be required to appear before the Board again.

If an extended Product-approval was Tabled due to the absence of a manufacturer's representative-'Failure to Appear' as required, call the Board Office at (617) 727-9952 to reschedule an appearance before the Board. Failure to reschedule within six months of the date of this correspondence will result in the application fee being forfeited and the closing of your file. Note: extended Product-approvals may not require a manufacturer's representative to be present at the Board meeting. Please call the Board Office for verification.

If you have any questions regarding the extended Product-approval decision reached by the Board, please call the Board Office at (617) 727-9952 or email the Board at [Cynthia.E.Johnson@state.ma.us](mailto:Cynthia.E.Johnson@state.ma.us).

Very truly yours,  
for the Board

  
Joseph A. Peluso, Jr., Executive Director  
Board of State Examiners of Plumbers and Gas Fitters

*Application for Extension*      *Type: Plumbing*

*Board Meeting Date:*      10/1/2008

*Manufacturer:* P. S. Pibbs Industries

<i>Product Name</i>	<i>Model</i>	<i>Action</i>	<i>Approval Code : Expiration Date/Tabling Reason</i>	
Complete Faucet w/sprayer	565/568	10/1/2011	P3-1008-107	Approved
Millenium bowl	bowl4/bowl5	10/1/2011	P3-1008-107	Approved
Prince Bowl	0546/0607	10/1/2011	P3-1008-107	Approved
whirlpool pedi spa	PS83	10/1/2011	P3-1008-107	Approved
Young bowl	bowl2/bowl3	10/1/2011	P3-1008-107	Approved

NSF International  
OFFICIAL LISTING

This is a Certification by NSF that these products conform to the requirements of NSF standard 61- Drinking Water Components- Health Effects

June 13, 2002

Saint-Gobain Ceramiques Avancees  
Desmarquest  
48, Rue Des Vignerons  
94685 Vincenees, France  
33 14 818 5183

Plant at: Courtnay Cedex, France

Mechanical Plumbing Device

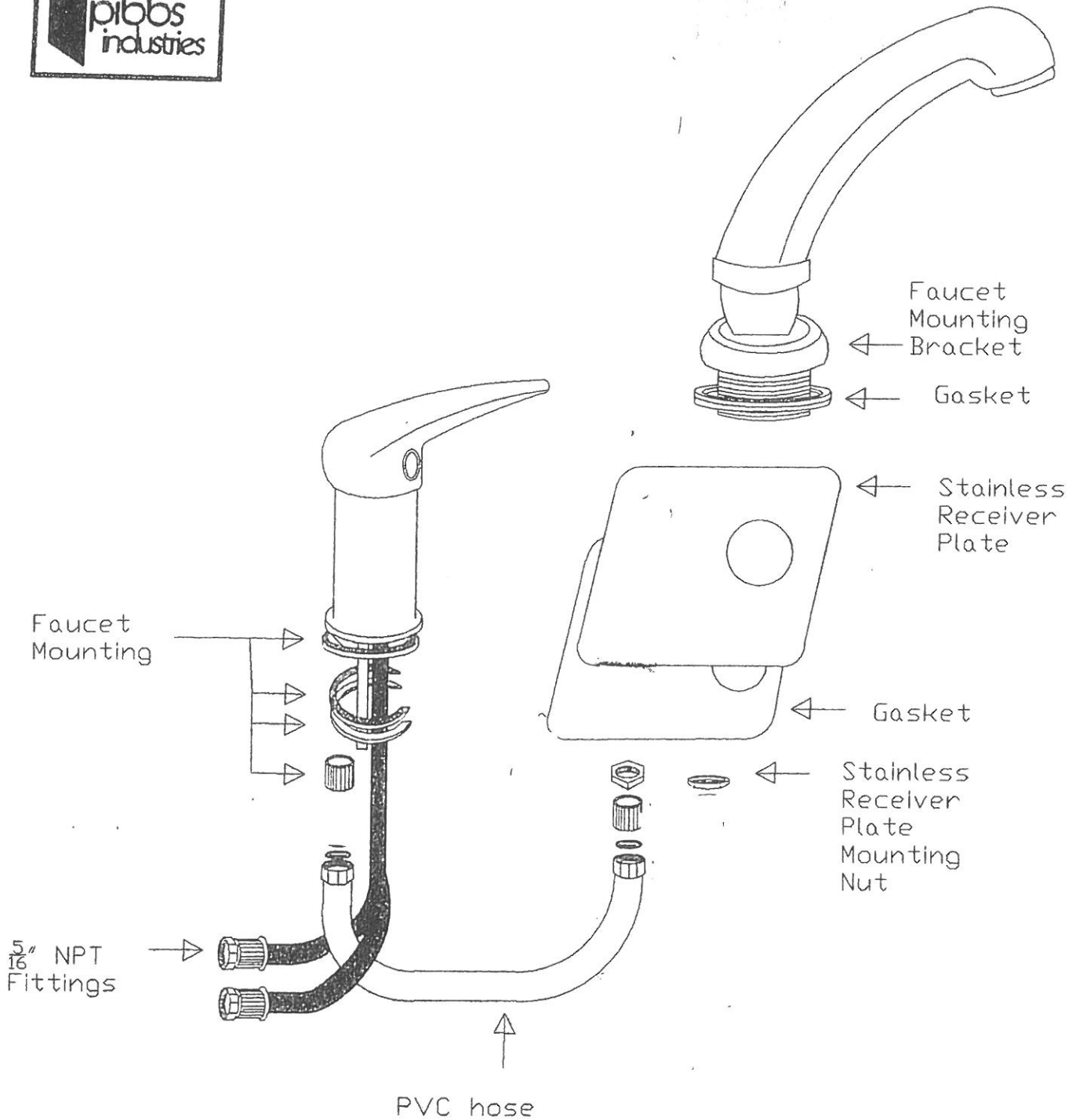
Trade Designation  
Cartridge Valves  
Optima Series [ 1]  
CR 38 F  
OP 35 XYW  
OP 40 XYZ

[1] X=flow option  
F1 or F=restricted flow  
O=free flow  
ES=Spain  
Y=screen option  
SG=without acoustic screen  
G=with acoustic screen  
W=adjustment option  
DI=Distributor lever

THE SHAMPOO SINK USED IN PIBBS MODELS PRINCE, MILLENNIUM AND YOUNG  
COMPLIES WITH THE AMERICAN NATIONAL STANDARD ASME A112.19.2



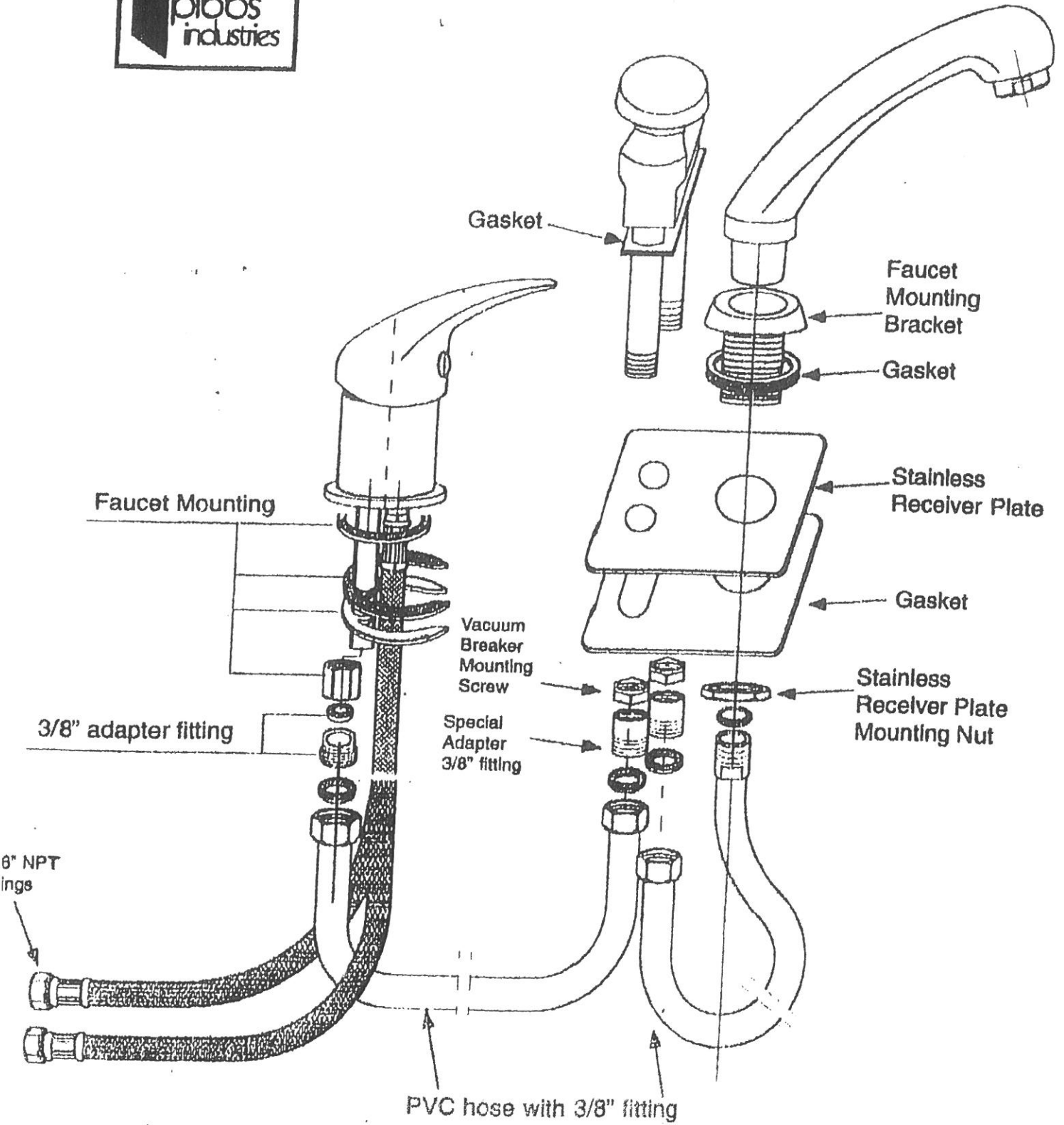
# 565 FAUCET MOUNTING





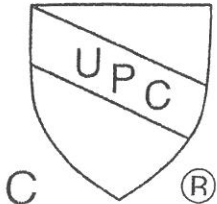


# 565 Faucet Mounting with Optional Vacuum Breaker



# IAPMO RESEARCH AND TESTING, INC.

5001 East Philadelphia Street, Ontario, California 91761-2816 • (909) 472-4100 Fax (909) 472-4244 • www.iapmo.org



## CERTIFICATE OF LISTING

IAPMO Research and Testing, Inc. is a product certification body which tests and inspects samples taken from the supplier's stock or from the market or a combination of both to verify compliance to the requirements of applicable codes and standards. This activity is coupled with periodic surveillance of the supplier's factory and warehouses as well as the assessment of the supplier's Quality Assurance System. This listing is subject to the conditions set forth in the characteristics below and is not to be construed as any recommendation, assurance or guarantee by IAPMO Research and Testing, Inc. of the product acceptance by Authorities Having Jurisdiction.

Effective Date: May 2013 -Rev. 5/8/2013- Void After: May 2014  
Product: Vacuum Breakers (Atmospheric) File No. 4943  
Issued To:  
Pibbs Industries  
133-15 32<sup>nd</sup> ave  
Flushing, NY 11354

Identification: Atmospheric type vacuum breaker assemblies shall be permanently and legibly marked with manufacturer's name or trademark, model number, maximum rated working pressure and temperature, nominal valve size, direction of water flow, and "B64.1.1". If applicable, markings shall include the critical level and "Deck Mounted". Product shall also bear the cUPC® certification mark. Markings shall be either cast, etched, stamped or engraved on the body on the assembly or on a durable metal plate securely fastened to the assembly.

Characteristics: Pipe-applied atmospheric type vacuum breakers to be installed in accordance with the manufacturer's instructions and the requirements of the latest edition of the Uniform Plumbing Code.

Products listed on this certificate have been tested by an IAPMO R&T recognized laboratory. This recognition has been granted based upon the laboratory's compliance to the applicable requirements of ISO/IEC 17025.

Products are in compliance with the following code(s):

  
Chairman, Product Certification Committee

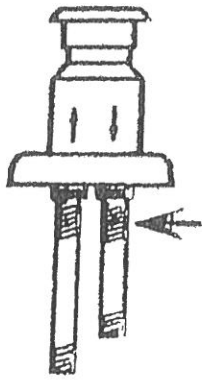
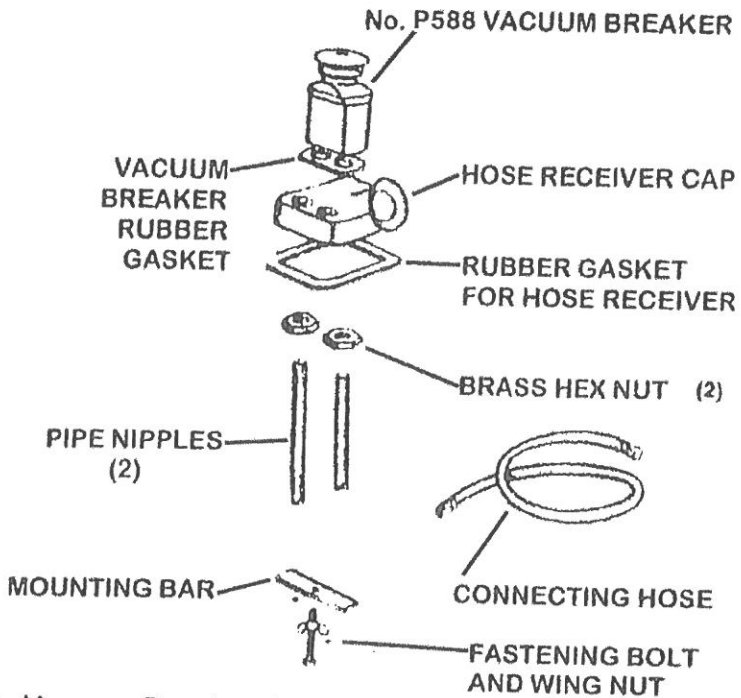
  
CEO, The IAPMO Group

For the most accurate and updated information please visit <http://pld.iapmo.org/4943>

This listing period is based upon the last date of the month indicated on the Effective Date and Void After Date shown above. Any change in material, manufacturing process, marking or design without having first obtained the approval of the Product Certification Committee, or any evidence of non-compliance with applicable codes and standards or of inferior workmanship, may be deemed sufficient cause for revocation of this listing. Production of or reference to this form for advertising purposes may be made only by specific written permission of IAPMO Research and Testing, Inc. Any alteration of this certificate could be grounds for revocation of the listing.



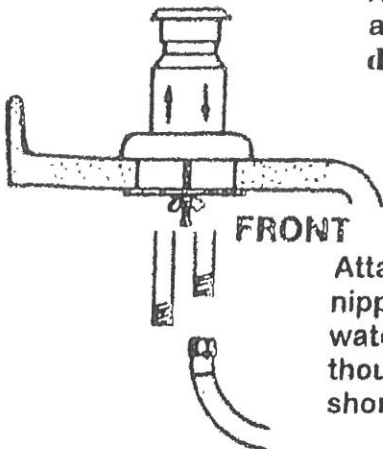
# P588C Vacuum Breaker Kit



Pre-assemble Vacuum Breaker, hose receiver cap and pipe nipples with the short pipe installed in line with the arrow on the Vacuum Breaker body pointing down.

Note: USE TEFLON TAPE ON THREADS

Attach the assembly with rubber gasket to the bowl and place the fastening bolt and wing nut through the mounting bar. Thread bolt in to hose receiver cap, align and tighten securely by hand only, do not over tighten.



Attach connecting hose to the long pipe nipple (arrow pointing up) then to the water outlet on faucet. Insert spray hose through receiver cap and attach to the short pipe (arrow pointing down).

Pibbs Industries  
133-32<sup>nd</sup> Ave  
Flushing, NY 11354  
www.pibbs.com  
Tel. (718) 445-8046  
(800) 551-5020  
Fax. (718) 461-3910



565

P589C

**FAUCET MOUNTING WITH OPTIONAL  
VACUUM BREAKER (FOR BACKWASH UNIT)  
\*\*NOTE-ITEMS # P588C/W INDICATES  
LONGER PIPE NIPPLES-10"-TO COMPLY WITH  
CERTAIN STATE REQUIREMENTS**

