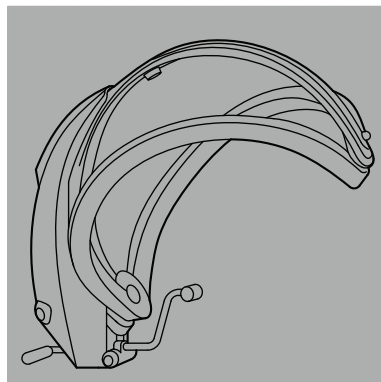


DIR



INSTRUCTION MANUAL

Contents

Product Information	1
Part Instruction	2
Assembly Instructions	3
Control Panel	6
Technical Description	8
Caution & Maintenance	9
Operation Manual	10
Modes-Application & Reference Work State	11
Contact Us	12

Thanks for your purchase of our product:Hair Processors & Steamers DAMITA.

Please read the operation manual before using the product.

Please put the operation manual in the place easy for you to read and you can read it at any time.

Product Information

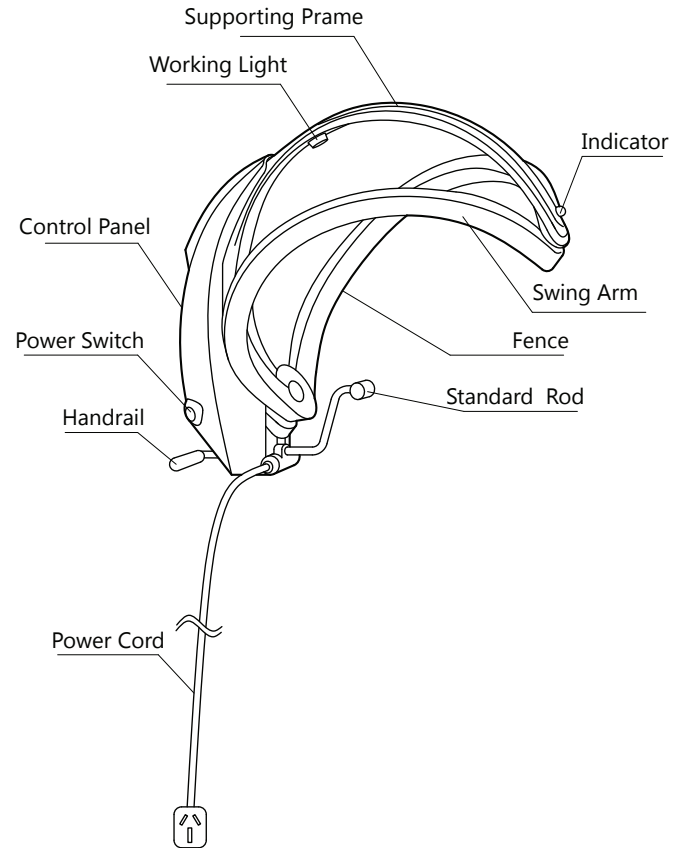
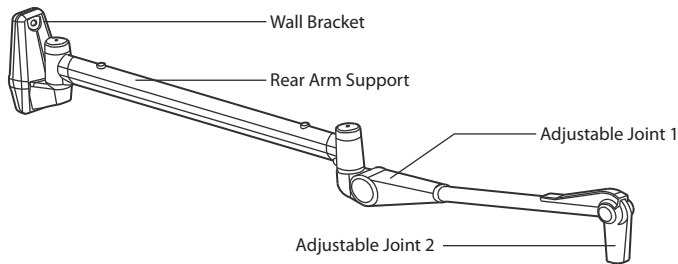
Product Name: DAMITA II
Product Code: H102W

Introducing a new range of Hair Treatment products, exclusive to Dream In Reality Group. The Damita product has characteristics of health care as well as the traditional hair care treatments; Adding moisture and maintaining the hairs natural oils.

DIR

Part Instruction

Product Name: DAMITA II
Product Code: H102W



Assembly Instruction

Installation of Wall Mount Arm

Before Installation

1. Wall

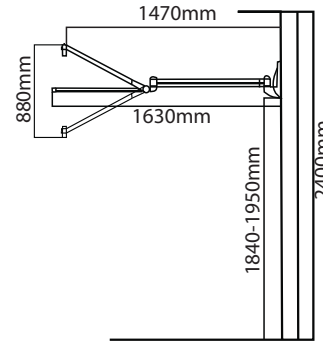
The wall must be strong enough to support the arm assembly.

2. Height

The recommended height of the wall bracket is 1840/1950mm from the floor to the bottom of the bracket (see diagram)

3. Electric Source

An electrical power outlet must be prepared on the wall within 500mm distance from the wall bracket.



Installation of Wall Plate & Wall Bracket

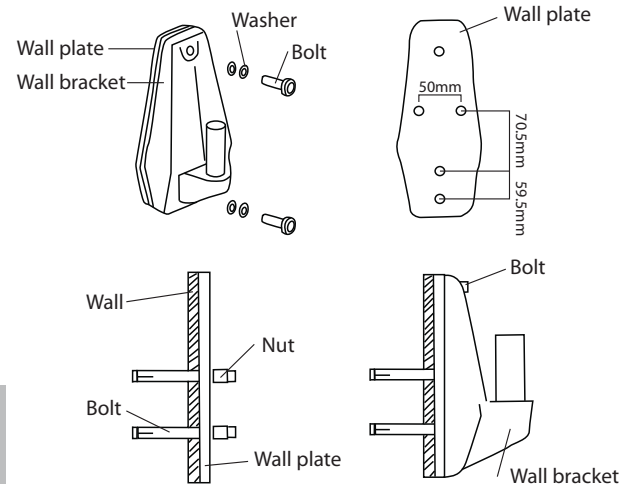
1. The wall plate and wall bracket are already attached together with bolts upon delivery. (See diagram)

2. With the supplied spanner, loosen the bolts and remove the wall plate

3. Use the wall plate as a template and drill three holes on the wall (please refer to diagram for the correct drill positioning). The size and depth of the holes will be in accordance with the bolts supplied.

4. Attach the wall bracket to the wall with the bolts, and then fix with the supplied washers.

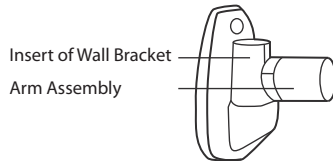
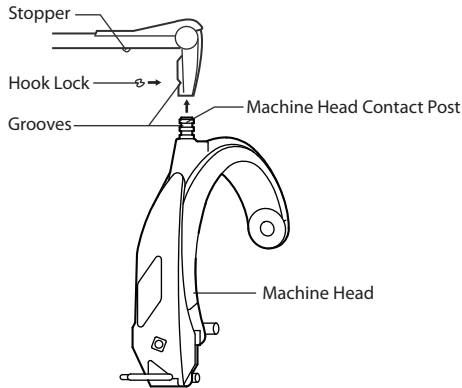
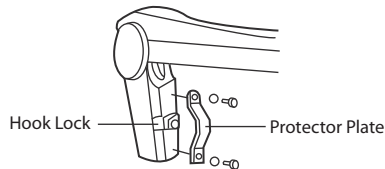
5. Attach the wall bracket to the wall plate, and then tighten with bolts



Caution! As the wall plate and wall bracket are subject to a large load, please make sure that the wall plate is installed correctly and securely.

Do not remove stopper on arm until the machine head is correctly installed. The arm assembly is spring loaded and could cause damage to equipment and customers if not handled correctly.

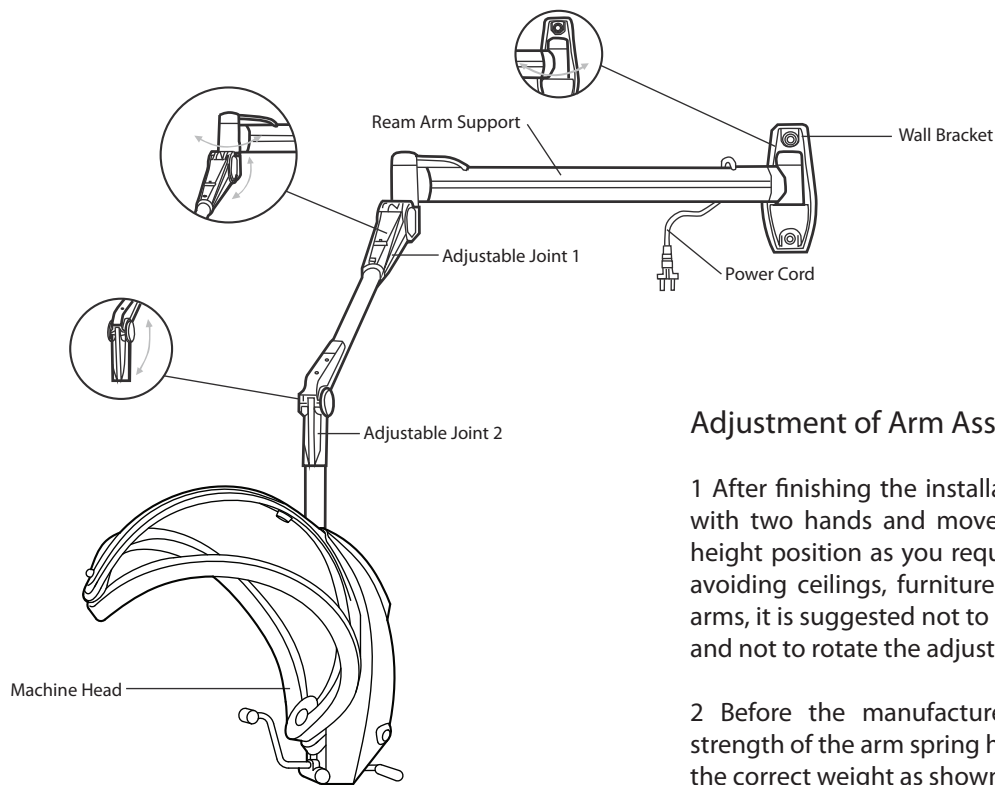
DIR



Arm Assembly & Machine Head

The machine head and the arms are fairly heavy, it is suggested that the installation is done by two persons, as instructed in the following steps.

- 1 Remove the screw on the protector plate and rotate the protector plate anti-clockwise until it is vertical. Remove the hook lock after loosening the screw.
- 2 Stand the machine with head facing floor and keep upright with two hands. Another person will need to insert the tip of the arm into the machine head.
- 3 Reinstall the hook lock to the groove and then tighten the groove screw firmly.
- 4 Turn the protector plate clockwise back to its original position and then tighten the screw at the protector plate either side.
- 5 Separately, two persons hold up the machine head and the arm assembly at the same time. Place the arm assembly to the insert of the wall bracket.
- 6 Remove the stopper and fix it in an opposite way for future spare use. Only after the installation is complete will you be able to move the arm assembly up/down, or it will damage the arms.
- 7 Connect the power cable into the wall socket.



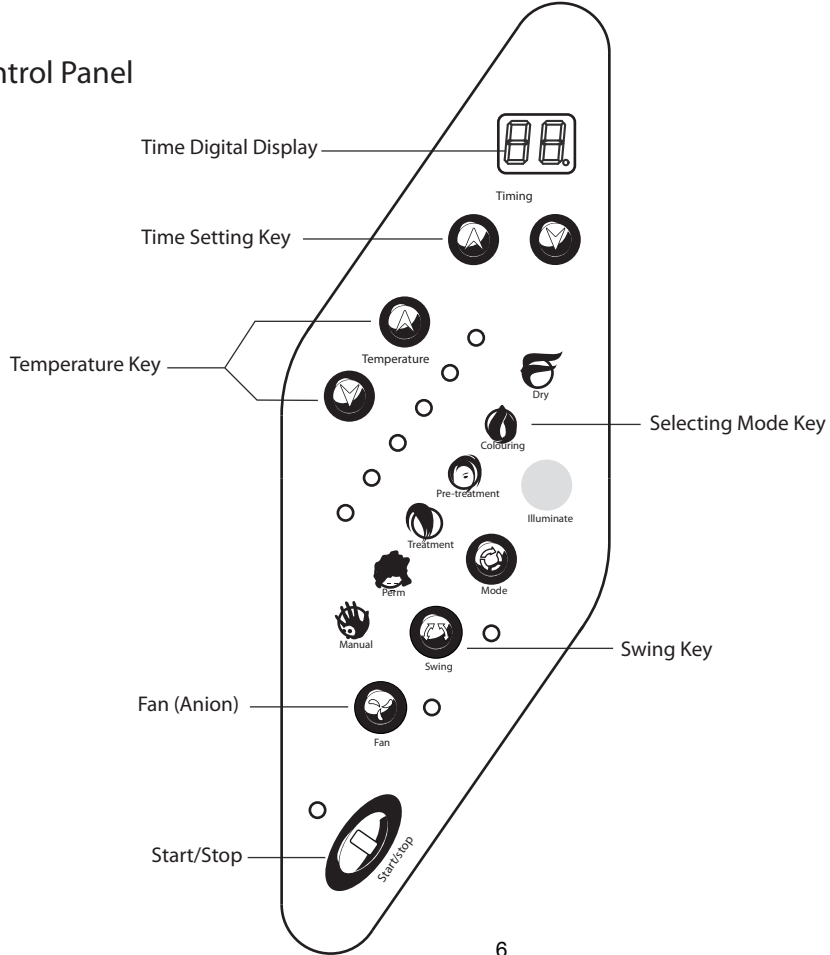
Adjustment of Arm Assembly

1 After finishing the installation, hold the machine body with two hands and move up and down to adjust the height position as you require. Please operate with care avoiding ceilings, furniture etc. In order to protect the arms, it is suggested not to remove the cover off the arms and not to rotate the adjusting bolt.

2 Before the manufacturer delivers the product the strength of the arm spring has been adjusted. Please load the correct weight as shown on the arm assembly.

DIR

Control Panel



Control Panel

Start/Stop

Press this key to start or end treatments. When the machine is on the control panel will illuminate, when the machine/treatment stops the control panel will not illuminate.

Fan(Anion)

Push this key to start/stop the fan. By pressing once the treatment will begin at a weak level, press twice for middle level, three times for strong level and by pressing four times the treatment will end; although the fan will still circulate.

The control panel will illuminate if the fan is in operation, once the treatment has come to an end the control panel will not light.

Swing Key

Push this key to stop the arms swinging refraining from any movement, by pressing this key twice the arms will resume movement. The control panel will illuminate when the arms are in operation, when the arms are no longer in use the panel will not light.

Selecting Mode Key

By pressing this key this machine enables you to choose from one of the six built in modes, listed below...

A. Perm	B. Colouring 1	C. Colouring 2	D. Treatment	E. Dry	F. Manual
---------	----------------	----------------	--------------	--------	-----------

The control panel will illuminate the mode selected.

Temperature Keys

Press Δ to increase the temperature by 1 level.

Press ∇ to decrease the temperature by 1 level.

The temperature selected will illuminate on the control panel.

Time Setting Keys

Press Δ to increase the time by 1 minute, hold the key to increase time up to 60minutes.

Press ∇ to decrease the temperature by 1 level, hold the key to decrease time down to 1 minute.

The temperature selected will illuminate on the control panel.

Digital Indicator

The indicator will show the time remaining on the current treatment. When the treatment has come to an end the control panel will show as "00" and will continue to show extra time.

Technical Description

AC 110-120V	50/60Hz	1100W
AC 220-240V	50/60Hz	1100W

To get the best results out of this product and to ensure customers comfort, please follow the steps listed below...

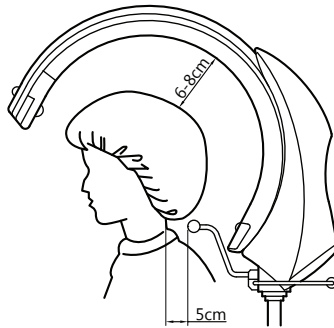


Diagram 1

Step 1

Alida should be adjusted and placed 6-8cm from the back of the customer's head and 5cm (2") from the rear of the customer's neck.

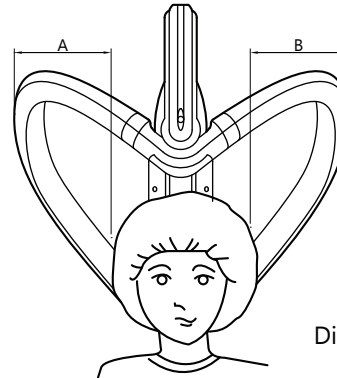


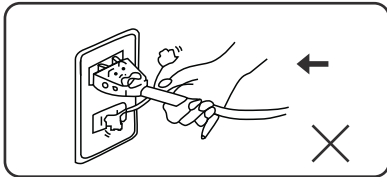
Diagram 2

Step 2

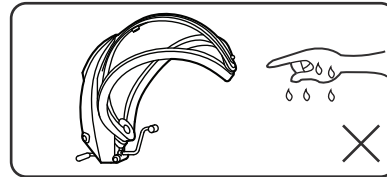
The distances between A and B should be exact. (As in diagram)

Caution & Maintenance

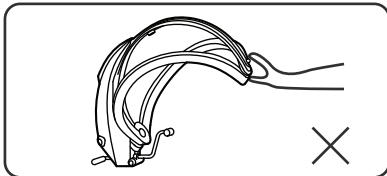
1. Avoid use in extreme hot or cold temperatures.
2. Please use correct power source



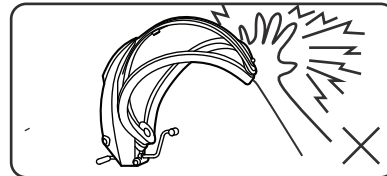
3. Do not disconnect the power plug by pulling the cable. Hold the plug and then pull.



4. Dry hands before use.



5. Do not touch during operation – Hot Surfaces.



6. Do not move or lift product when in use. This could damage the machine as well as causing damage to customer/stylist.

DIR

Operation Manual

Note: Please read the information regarding suitable positioning, before operating.

Turn on Machine

1. Turn on the power switch, the LED light will glow.
2. The control panels default is set to "Manual"

Select a Mode

1. Select "Choose Mode" and select the treatment required.
2. Temperature level, time and fan can be adjusted according to treatment.

Start/Stop

1. The machine will start to heat as per the selected working mode, during this time the LED control panel will glow.
2. The LED will continue to glow until the machine stops.
3. The arms will start movement and heating

During Operation

1. The start/stop, temperature and time indicators LED will continue to light during operation.
2. During the working mode you may alter the time and temperature by using the time/temp buttons.

Changing Current Mode

1. Push the "start/stop" key to interrupt the treatment. The arms and indicator light will enter standby mode.
2. The modes and temperature levels will shine after you have reselected a new programme.
3. Time light will be off and the indicator will show the preliminary set time.
4. Select the new mode you wish to switch to then select the "start/stop" key. The machine will now resume with the new selected mode.

Finish Treatment

1. The control panel will sound when the treatment has come to an end.
2. The arms will automatically move back to the default position and stop heating.
3. Start/Stop and Indicator light will turn off.
4. The modes and temperature levels will glow.
5. The digital time indicator will show as "0" when the machine has finished operation. The time light will then flash once per second to start counting down any extra time.

Turn Off Power Source

1. Turn off machine by the power switch.
2. Please pull out the power plug, if machine is not in use for a long period of time

Note: During operation, the fan can be turned on/off at your will. The machine can resume to original position when the set time is up. The control panel will sound and the time will indicate as "00" and begin to re-calculate the time.

Modes-Application & Reference Work State

Mode	Application	Pre-fixed Functions				
		Time	Fan	Rotation	Temp level	Initiative time of temp level
Perm	When perming, adjust time and temp level according to type of hair & treatment	10 min	Off	On	4	2.5 min
		Adjustable according to condition and method				
Colouring	When dying hair, adjust time and temp level according to type of hair & treatment	15 min	Off	On	4	2.5 min
		Adjustable according to condition and method				
Pre-treatment	Adjust time and temp level according to type of hair & treatment	20 min	Off	On	5	3 min
		Adjustable according to condition and method				
Treatment	Used for perm, colouring & treatments with bleach	15 min	On	On	4	2.4 min
		Adjustable according to condition and method				
Dry	Used for drying hair & natural styling	18 min	On	On	6	3.5 min
		Adjustable according to condition and method				
Manual	Used for several modes. Works together according to technique or hairstylist	10 min	On	On	3	2 min
		Adjustable according to condition and method				
Notes: 1. Machine default is set to manual.						

DIR

Contact Us

DIR BIRMINGHAM

93-96 Floodgate Street
Birmingham
B5 5SR
UK

Sales: +44(0)800 085 3667
Customer Service: +44(0)121 6433877
Fax: +44(0)121 6333291
Email: sales@dirgroup.co.uk

DIR COLOGNE

Konrad-Adenauer-Straße 25
50996 Köln
Germany

Sales: + 49 (0) 221 / 88888.128
Fax: + 49 (0) 221 / 88888.122
Email: sales@dirgroup.de

DIR LONDON

Unit 1 River Road Business Park
33 River Road, Barking
Greater London IG11 0DA
UK

Sales: +44(0)20 8591 9310
Fax: +44(0)20 8594 4147
Email: sales.london@dirgroup.co.uk

DIR IRELAND

Unit 5 Block E, Riverview Business
Park, Nangor Road, Dublin 12
Republic of Ireland

Sales: +353 (01) 429 7969
Email: sales.ireland@dirgroup.ie

DIR NEW YORK

24 Woodward Ave, Suite C
Ridgewood, NY 11385
USA

Sales: +1 (718)628-6668
+1 (800)728-2008
Fax: +1 855-628-5168
Email: sales@dirsalonfurniture.com

If you have any enquires regarding the product warranty, please contact our customer services team .

DIR

www.dirgroup.co.uk

DIR (Headquarters)

93-96 Floodgate Street, Birmingham, B5 5SR, UK | TEL: +44(0)800 0853667 +44(0)121 6433877 | Email: sales@dirgroup.co.uk