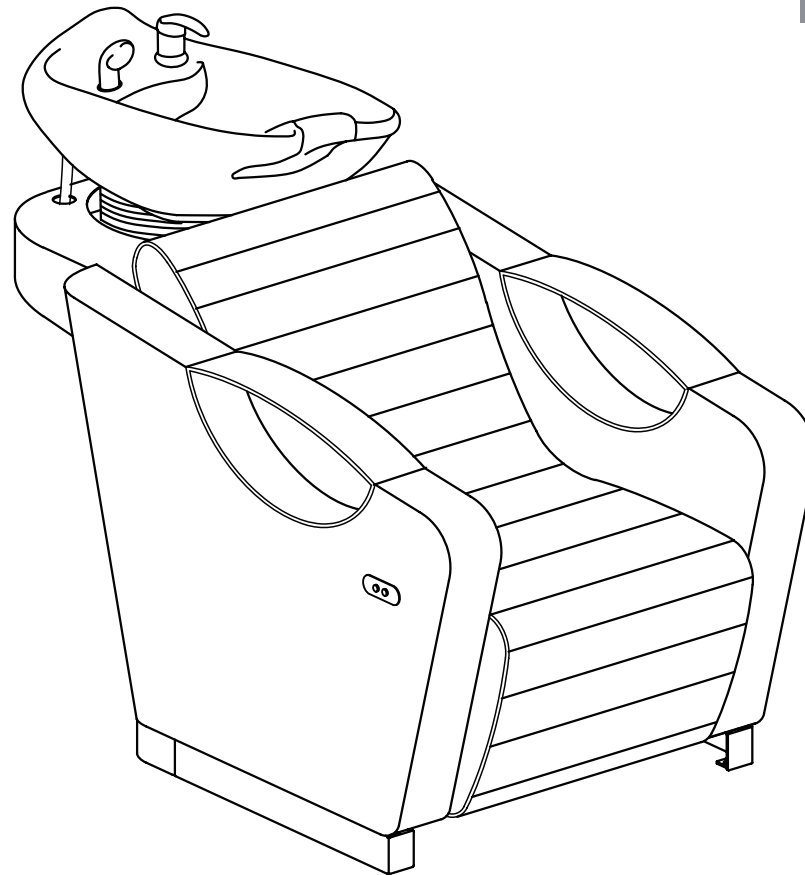


# Victoria

7062

INSTRUCTION MANUAL



EN

# CONTENTS

Product Introduction	3
Warranty	4
Assembly Instructions	5
_List of Parts	5
_Tools Necessary	8
_Instructions	9
Plumbing Instructions	16
_Wall Plumbing	17
_Floor Plumbing	18
Floor Anchor Instructions	19
Assembly Complete	21
Aftercare Instructions	22
Contact Us	23

Please read the operation manual before using the product.

Please put the operation manual in the place easy for you to read and you can read it at any time.

Product Name: Victoria  
Product Code: 7062

Thank you for placing your order with the DIR. Our materials inc. faux leather etc, are specially sourced to provide quality and performance, as well as meeting UK/EU safety regulations to ensure customer satisfaction.

All of our backwashes are produced with strong resilient faux leather, tested by our manufacturer to ensure strength, memory, heat resistance and stain proofing. We also fit our backwash with fire-retardant, pre-moulded memory foam to ensure continual use and sustained durability, as well as a heavy duty hydraulic base we offer a one year warranty to ensure customer confidence in our products and our company.

# WARRANTY

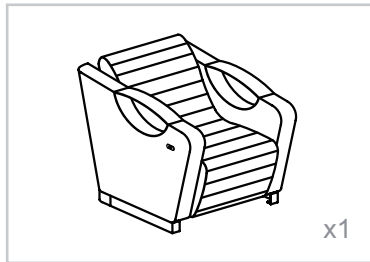
The warranty period is one year. DIR warrants to you, the original buyer, that goods shall be free of defects in material and/or workmanship attributable to manufacture for one year from date of buyer's receipt of product. Damage resulting from improper handling after merchandise is received, or from exposure to weather or extreme atmospheric conditions is not covered by the warranty.

For any other information please contact our support team:

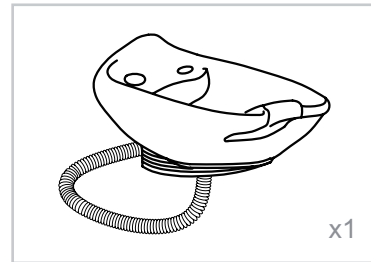
DIR BIRMINGHAM	DIR LONDON	DIR NEW YORK	DIR COLOGNE	DIR IRELAND
66 Rea Street South Birmingham B5 6LB UK ----- Tel: +44(0)121 6433877 ----- Email: sales@dirgroup.co.uk	Unit 1 River Road Business Park 33 River Road, Barking Greater London IG11 0DA UK ----- Tel: +44(0)20 8591 9310 ----- Email: sales.london@dirgroup.co.uk	24 Woodward Ave. Suite C Queens, NY 11385 USA ----- Tel: +1 (718)628-6668 +1 (800)728-2008 ----- Email: sales@dirsalonfurniture.com	Konrad-Adenauer-Straße 25 50996 Köln Germany ----- Tel: + 49 (0) 221/88888.128 ----- Email: sales@dirgroup.de	Unit 5 Block E, Riverview Business Park, Nangor Road, Dublin 12 Republic of Ireland ----- Tel: +353 (01) 429 7969 ----- Email: sales.ireland@dirgroup.ie

## ASSEMBLY INSTRUCTIONS

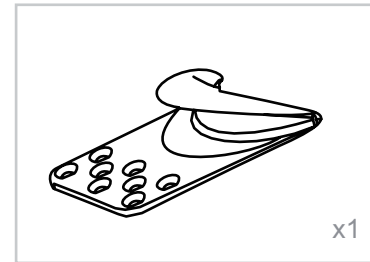
### List of Parts



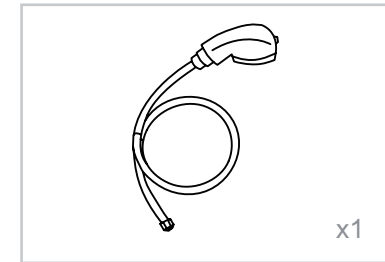
Base



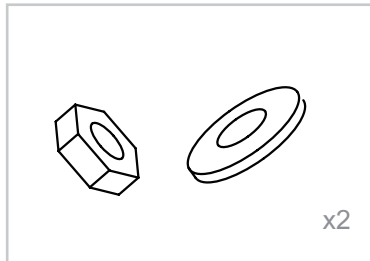
Sink + Drain Pipe  
 $\phi = 3.2\text{cm} * 100\text{cm}$



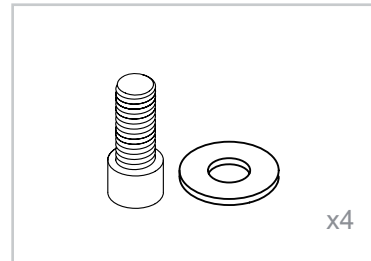
Neck Rest



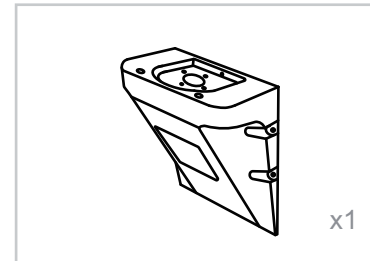
Sprayer Head  
 $\phi = 1/2$



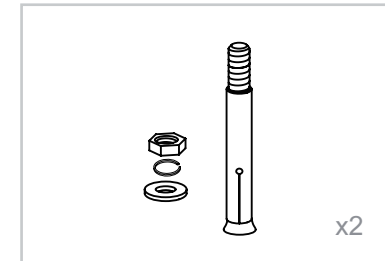
Washer & Gasket



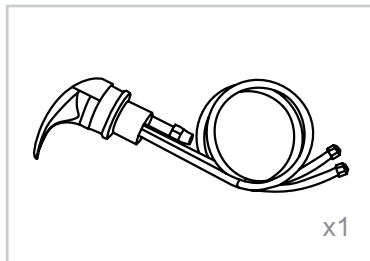
Washer & Gasket  
( $\phi 8 \times 50\text{mm}$ )



Frame



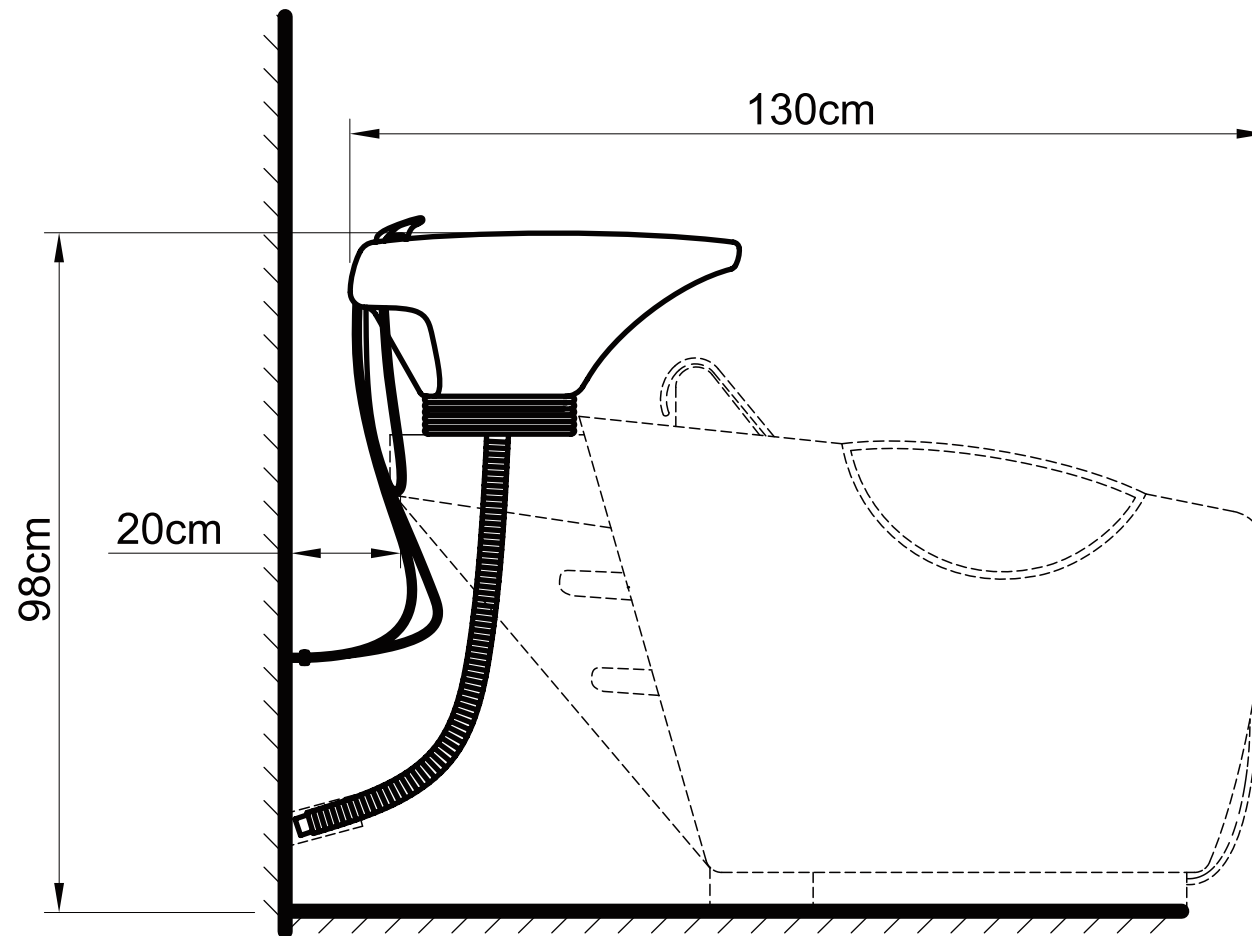
Floor Anchor

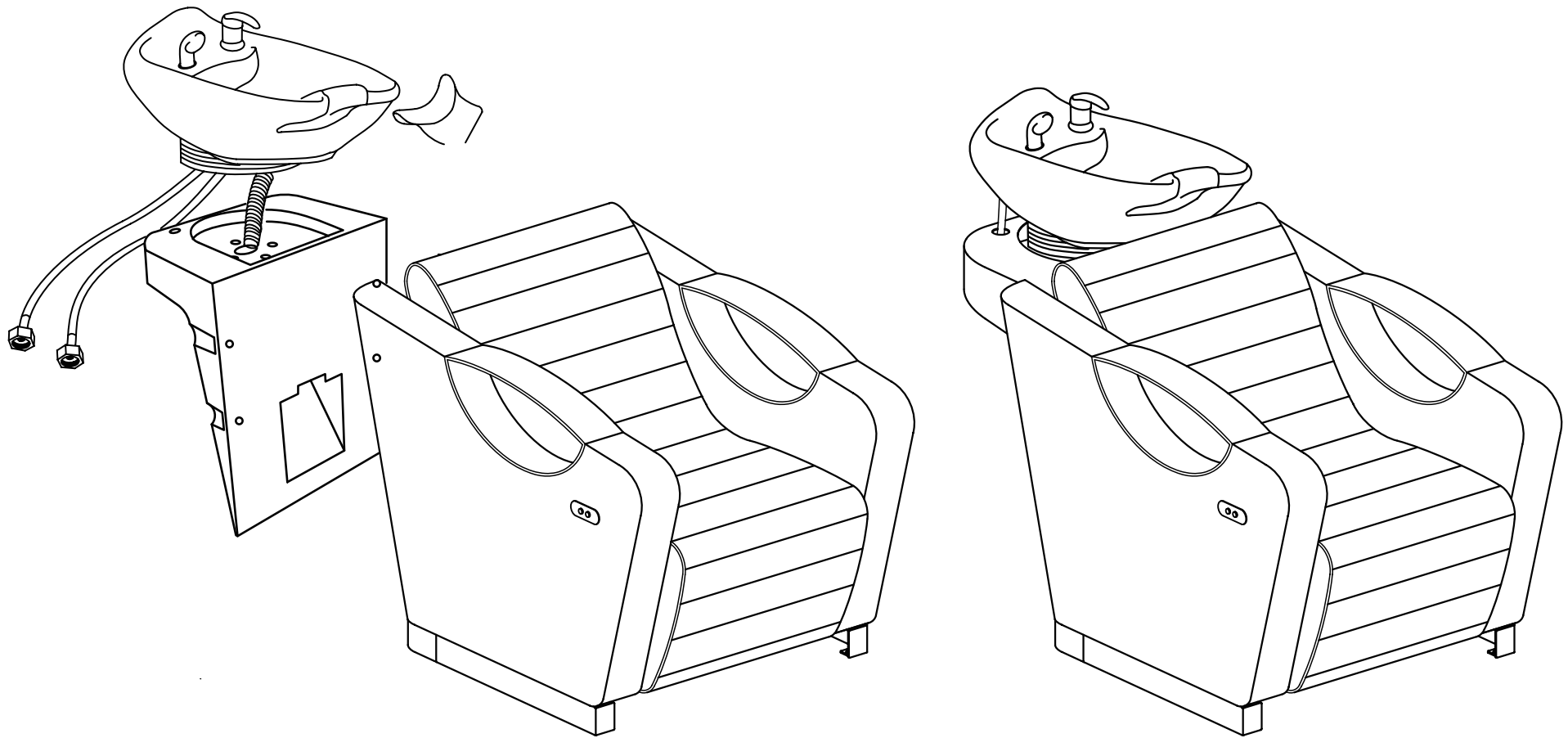


Faucet +  
Red Hot Water Pipe ( $\phi = 1/2$ ) +  
Blue Cold Water Pipe ( $\phi = 1/2$ )

# ASSEMBLY INSTRUCTIONS

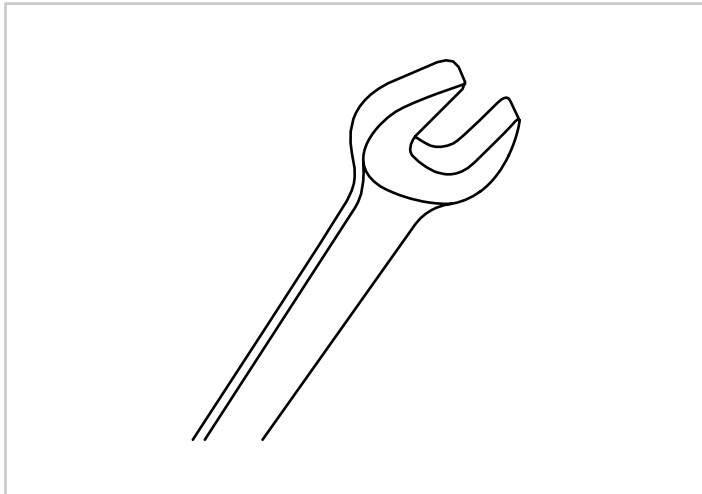
Please leave minimum 20cm of space measuring from finished wall to the back of the sink to allow sink's tilting position.



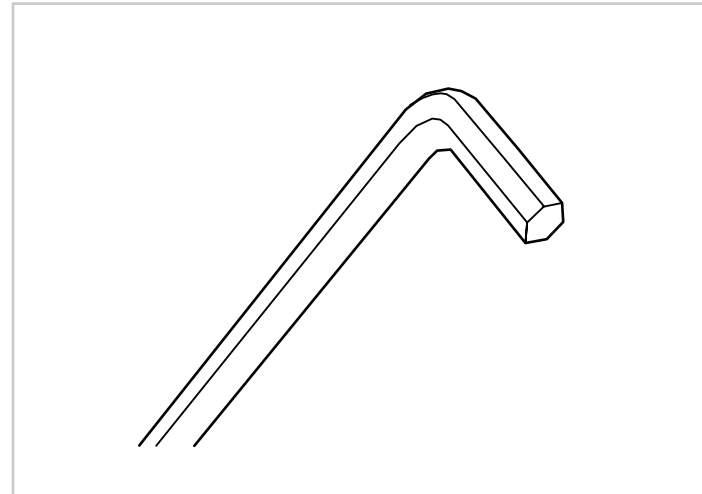


# ASSEMBLY INSTRUCTIONS

## Tools Necessary

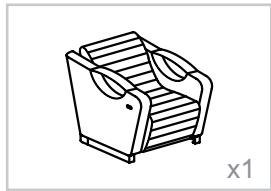


14mm Spanner (included)

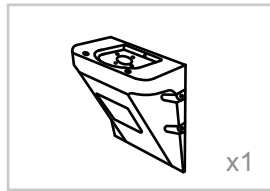


6mm Allen Key (included)

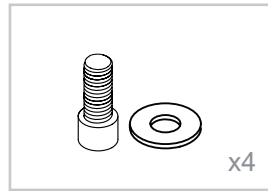




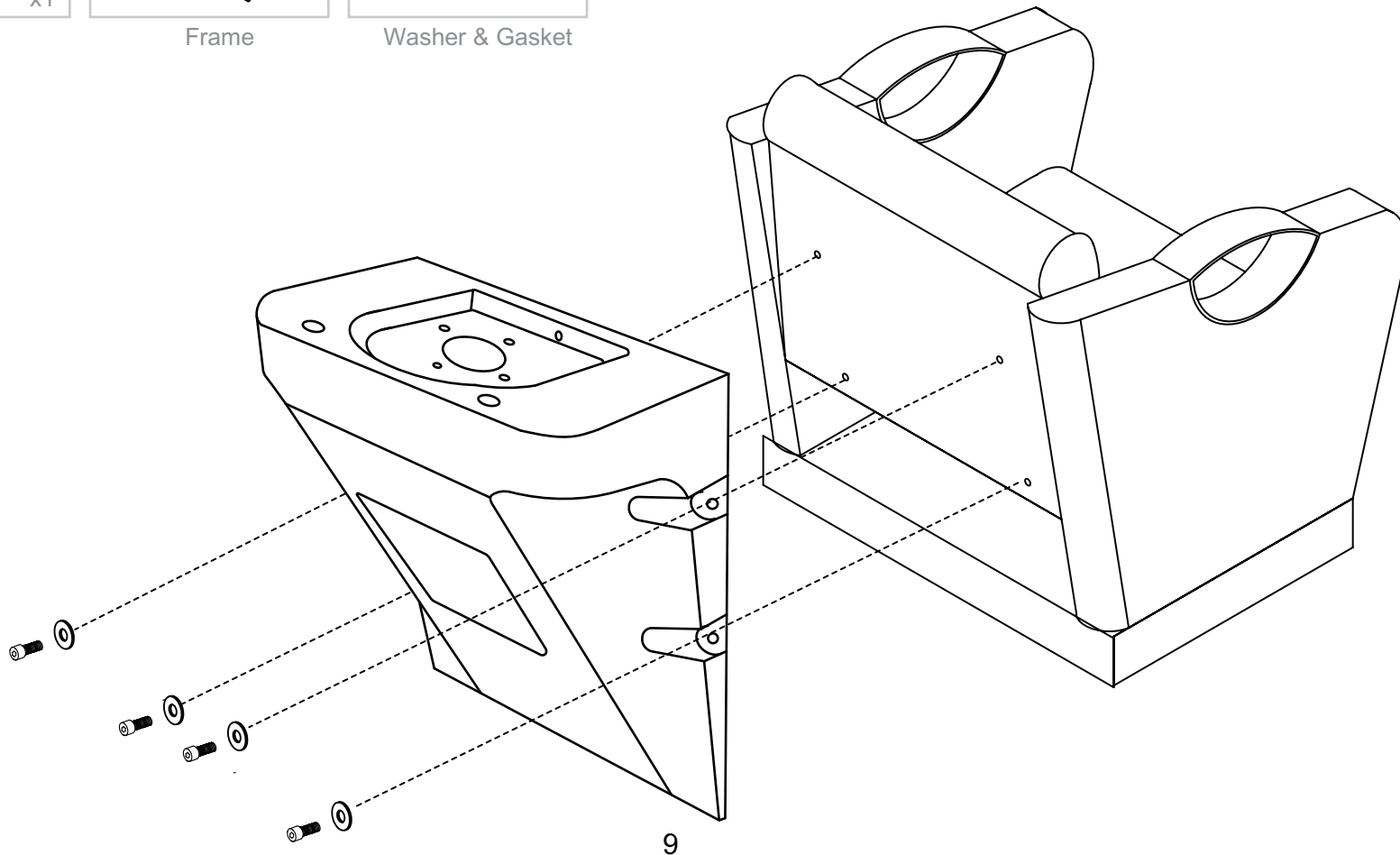
Base



Frame

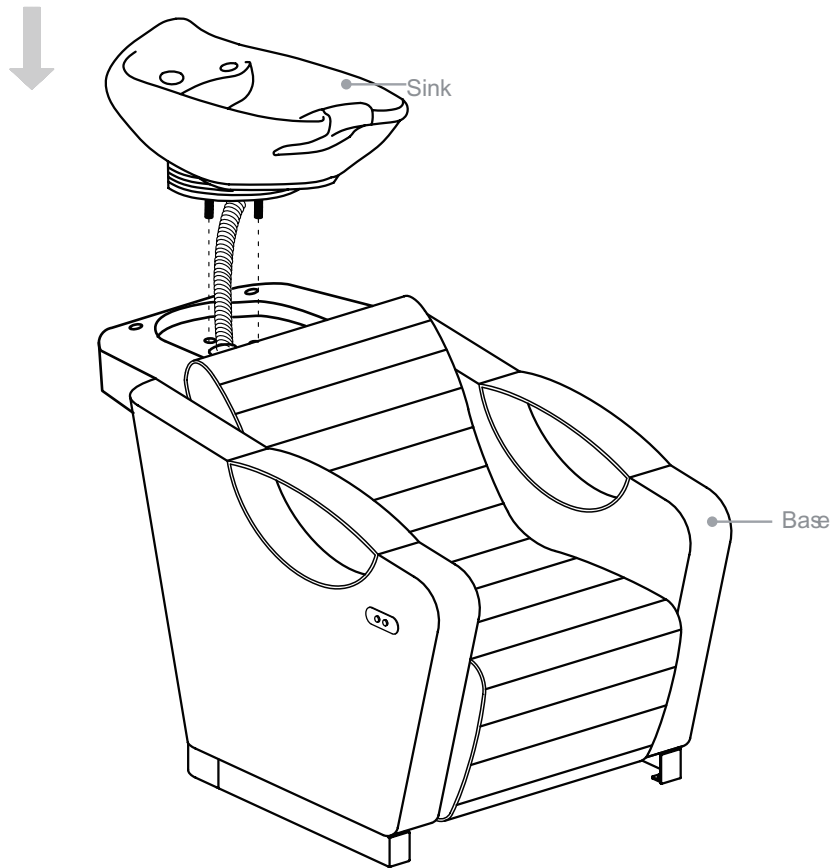


Washer & Gasket

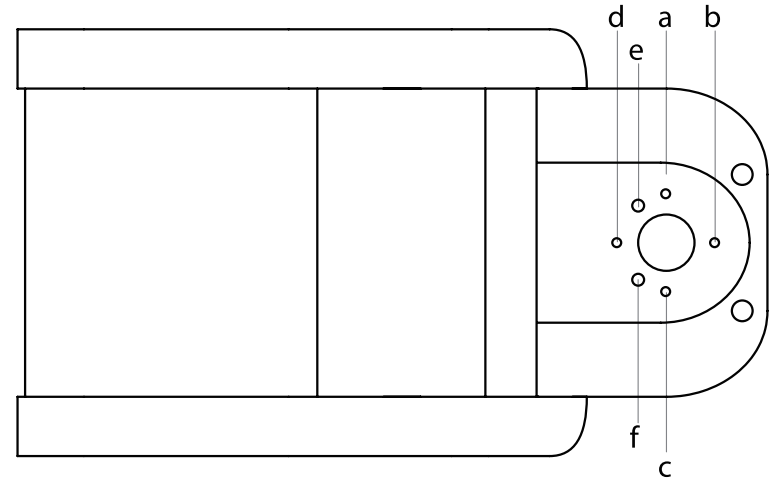


# ASSEMBLY INSTRUCTIONS

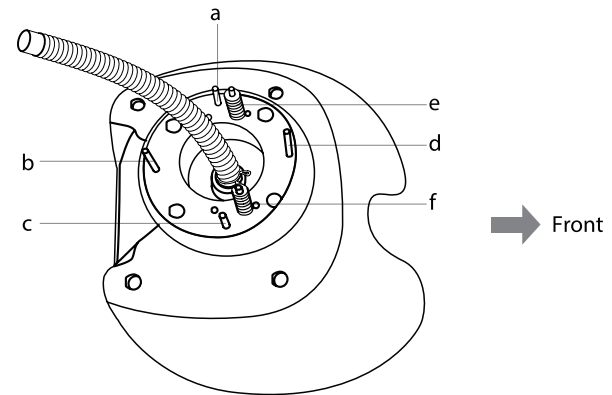
## Sink Assembly Instruction



Front ←



Topview of Base



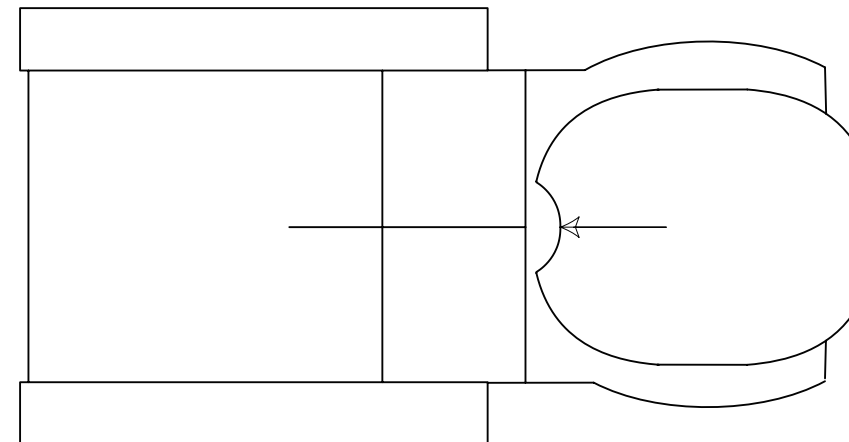
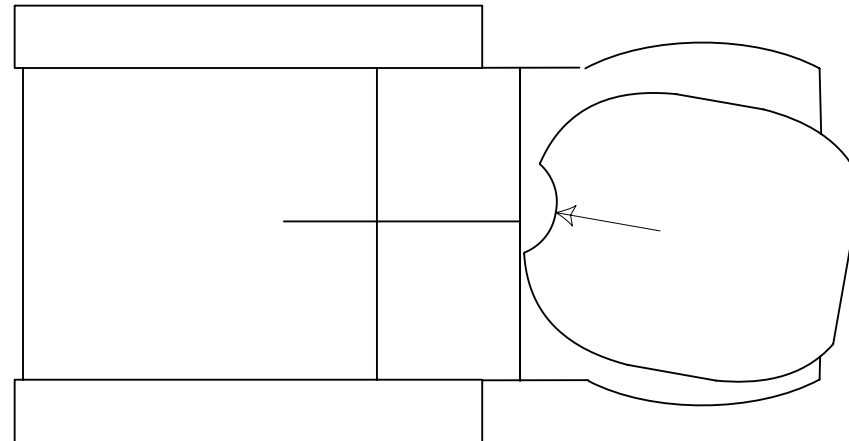
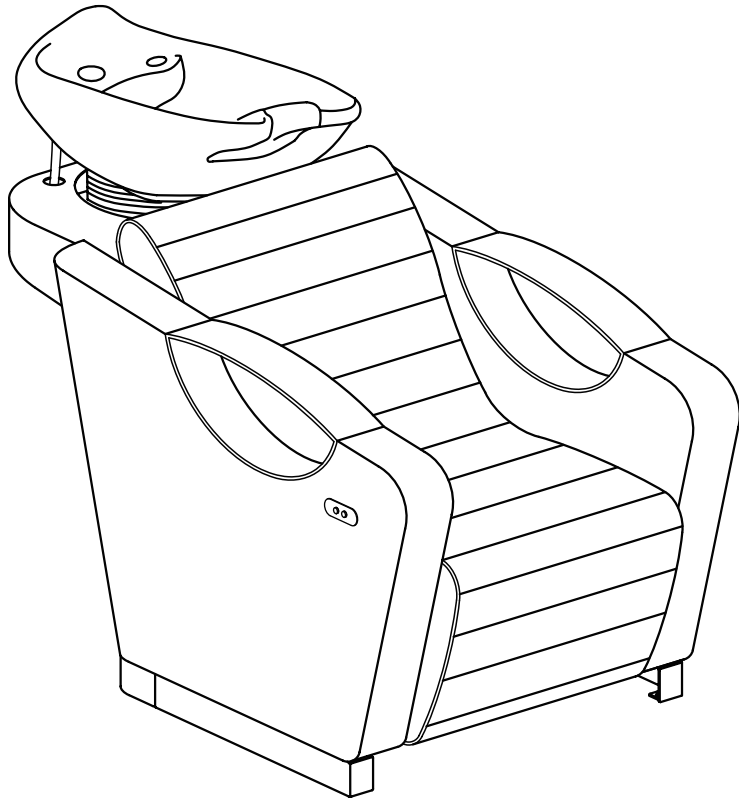
Sink

Align the sink to the base as shown in the diagram.

# DIR

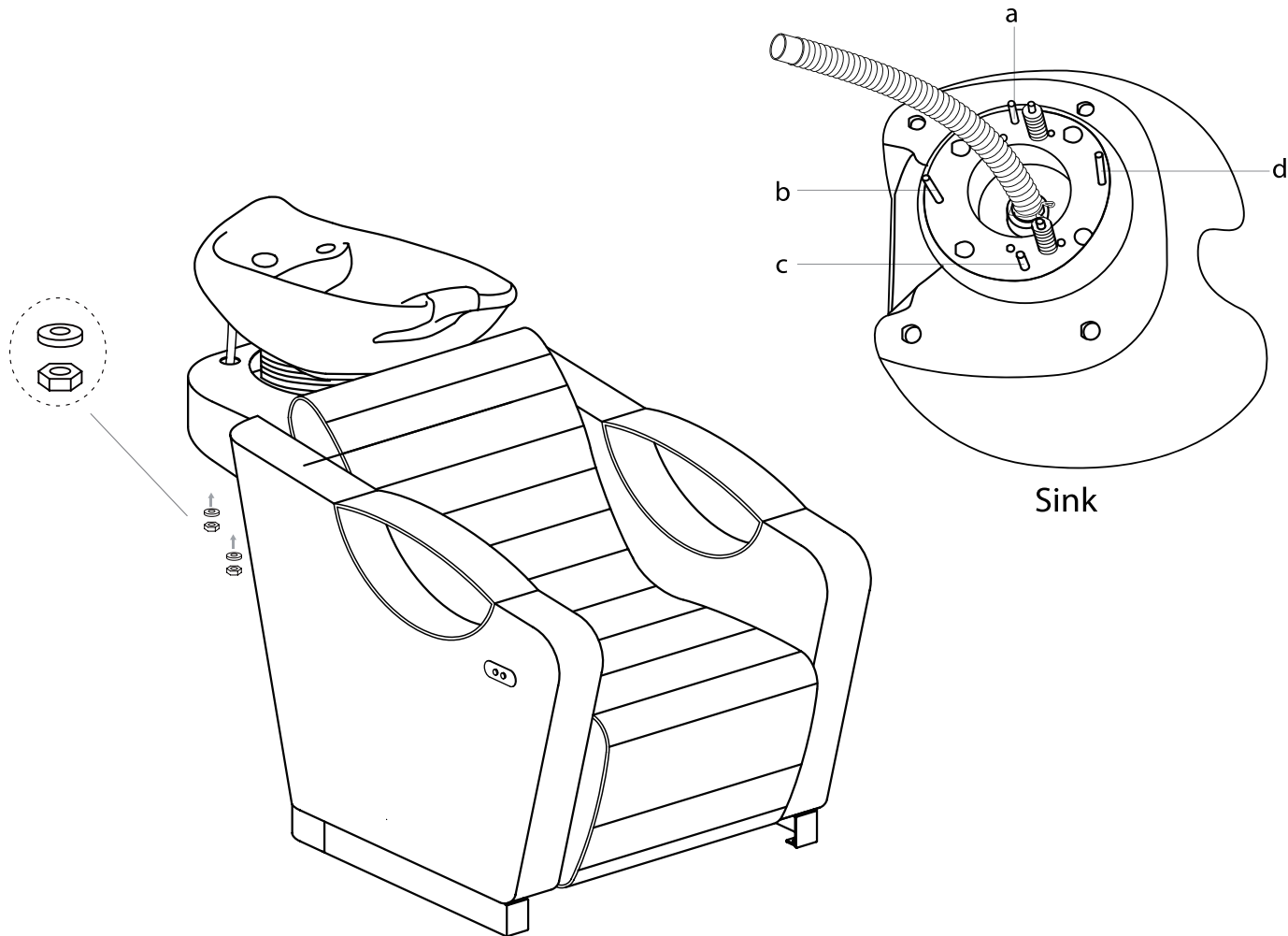
www.dirgroup.co.uk

## ASSEMBLY INSTRUCTIONS



# ASSEMBLY INSTRUCTIONS

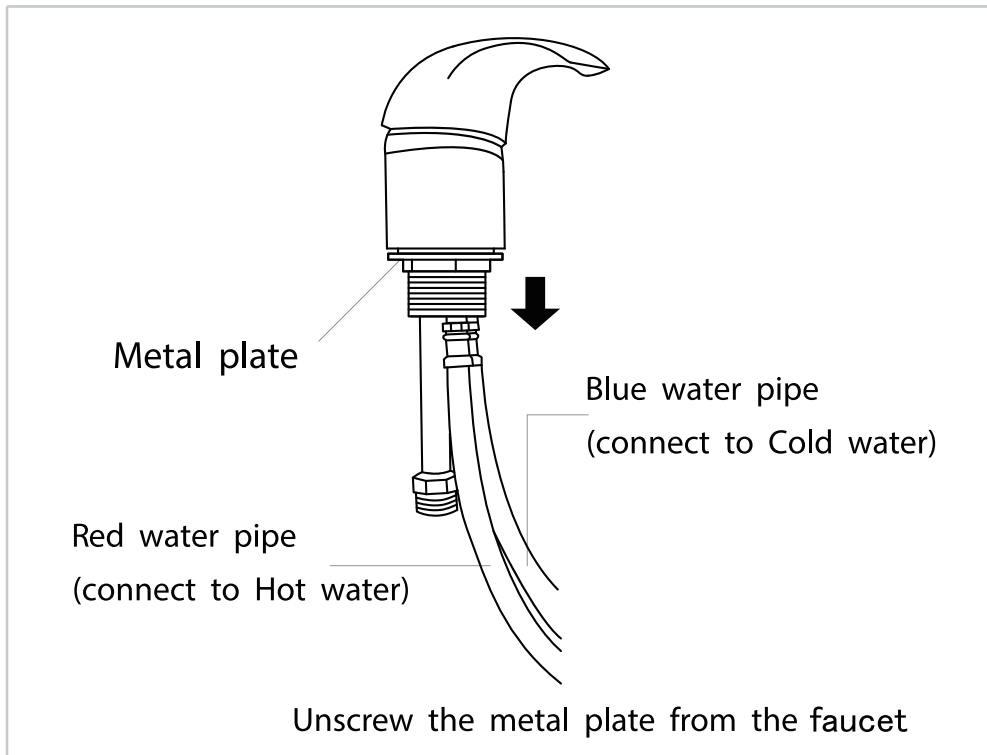
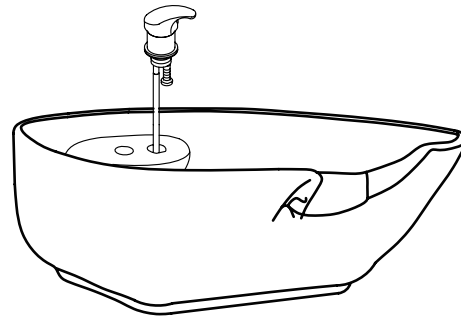
## Sink Assembly Instruction



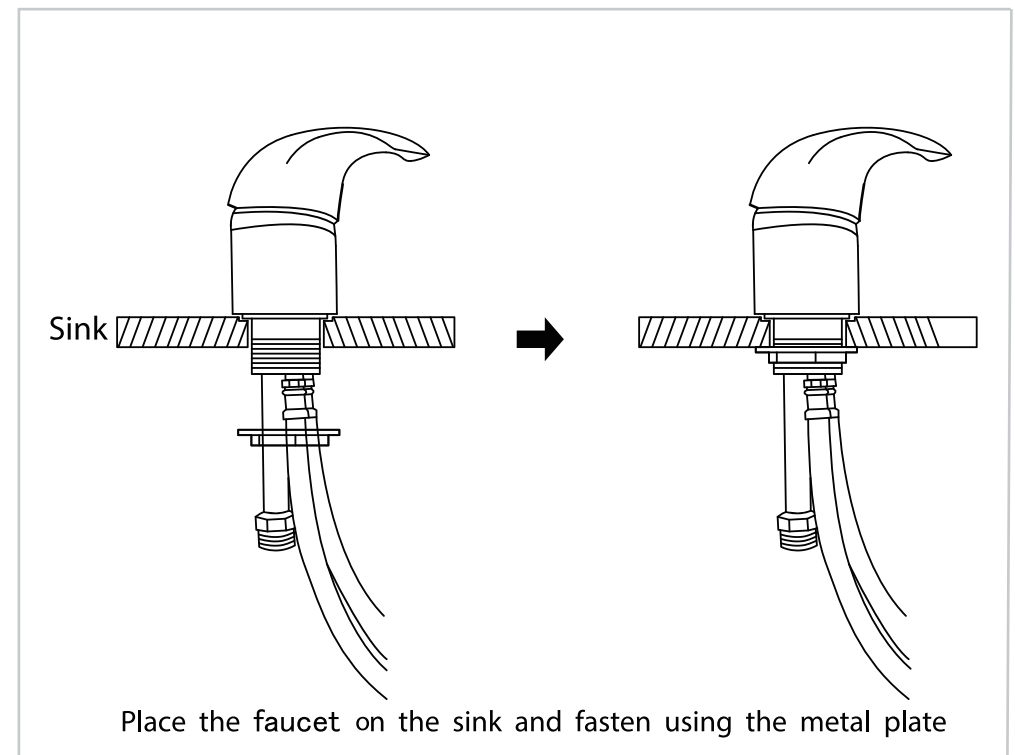
Undo the access panel by twisting clockwise then using the 4\* 14mm washers & gaskets provided fasten the sink to the base.

## ASSEMBLY INSTRUCTIONS

### Faucet Assembly Instruction



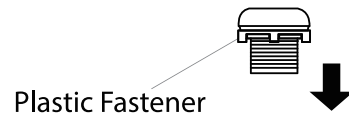
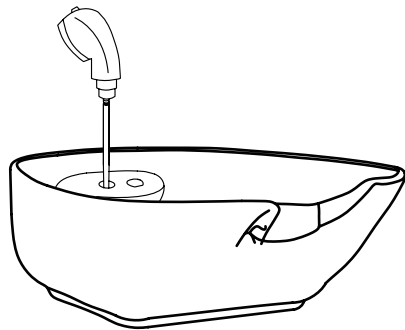
STEP 1



STEP 2

# ASSEMBLY INSTRUCTIONS

## Sprayerhead Assembly Instruction



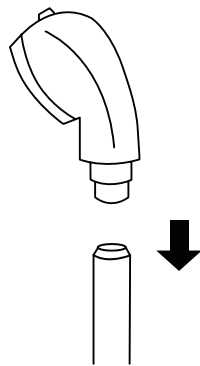
Unscrew the fastener from the sprayerhead holder.

STEP 1



Fasten the sprayerhead holder to the sink with the plastic fastener.

STEP 2



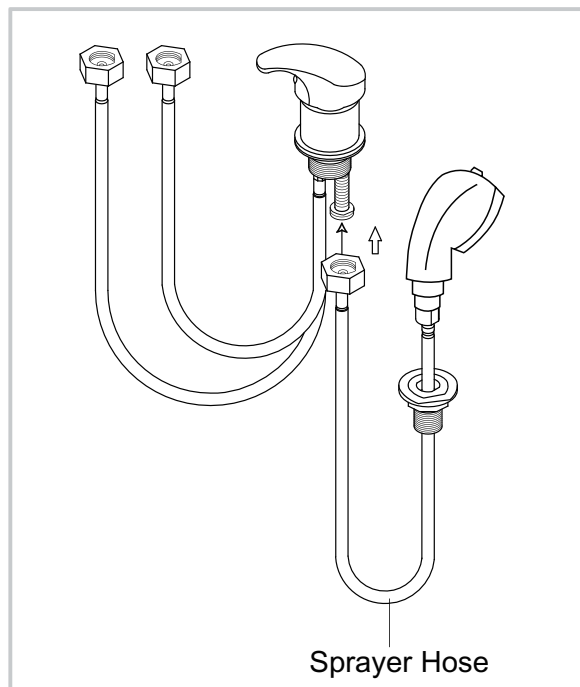
Unscrew the sprayerhead from the sprayer hose.

STEP 3

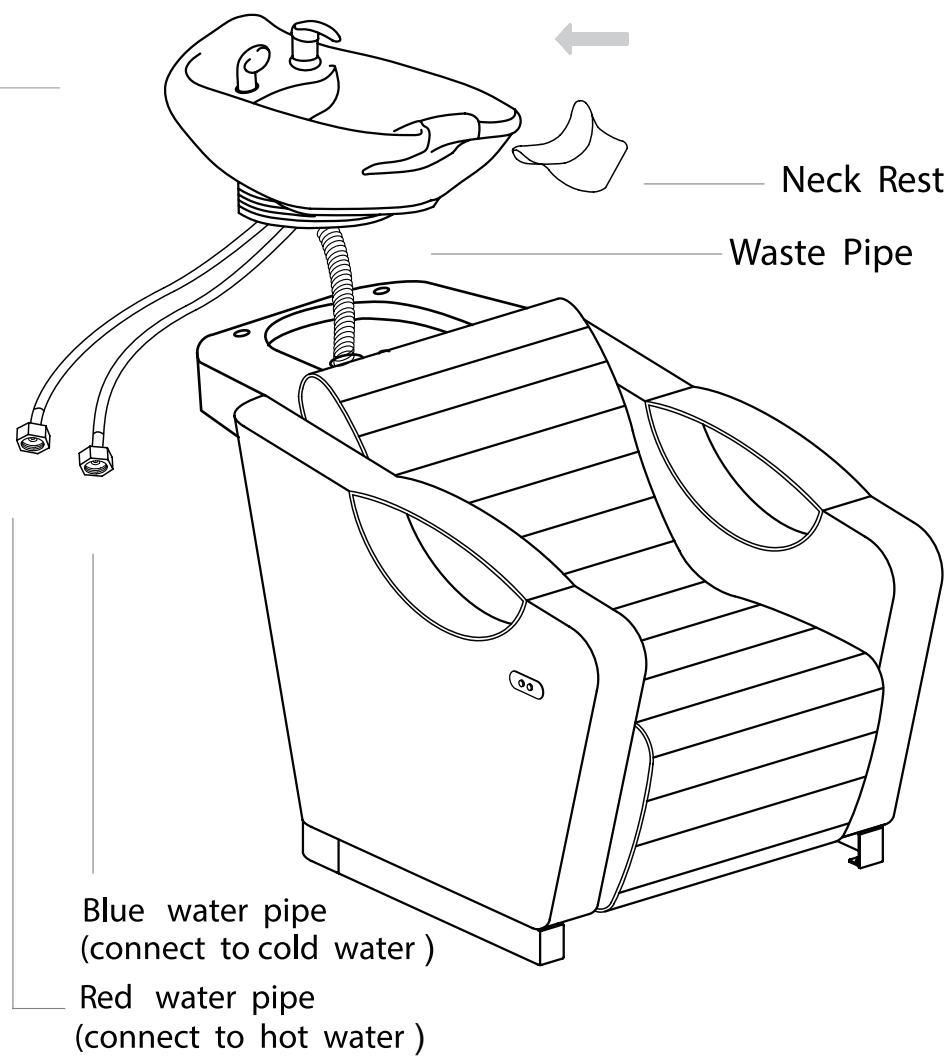


Place the sprayer hose from underneath through the sprayerhead holder and fasten the sprayerhead to the sprayer hose.

STEP 4

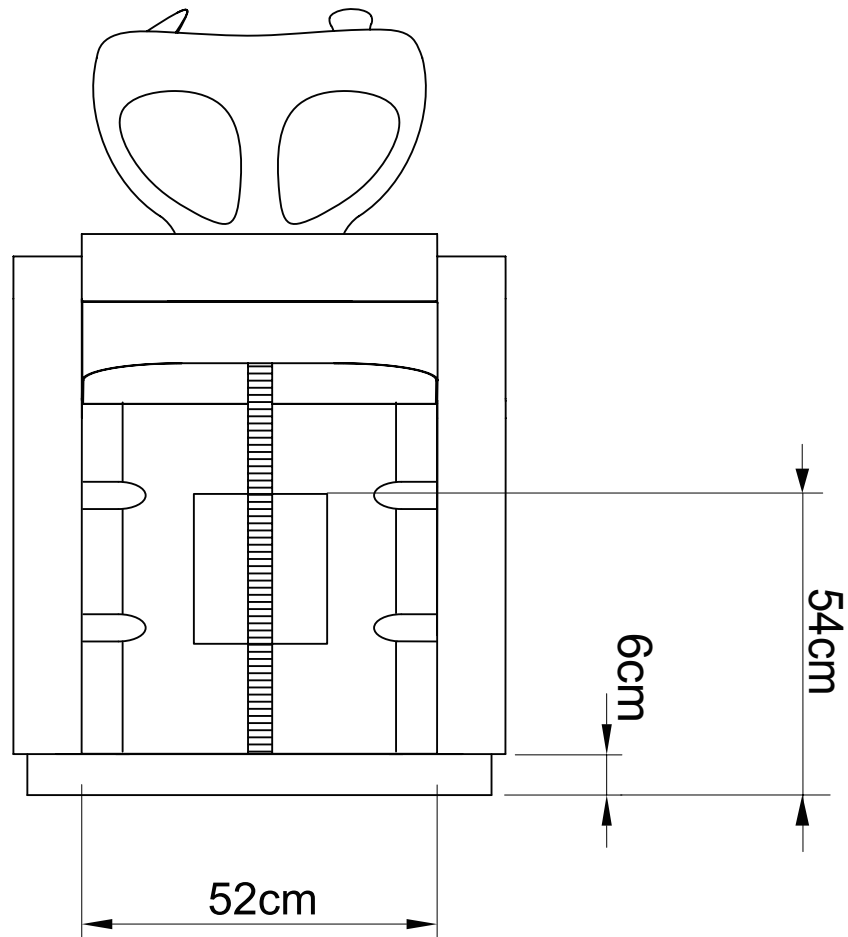


Connect to sprayer hose to the tap shown in the diagram.



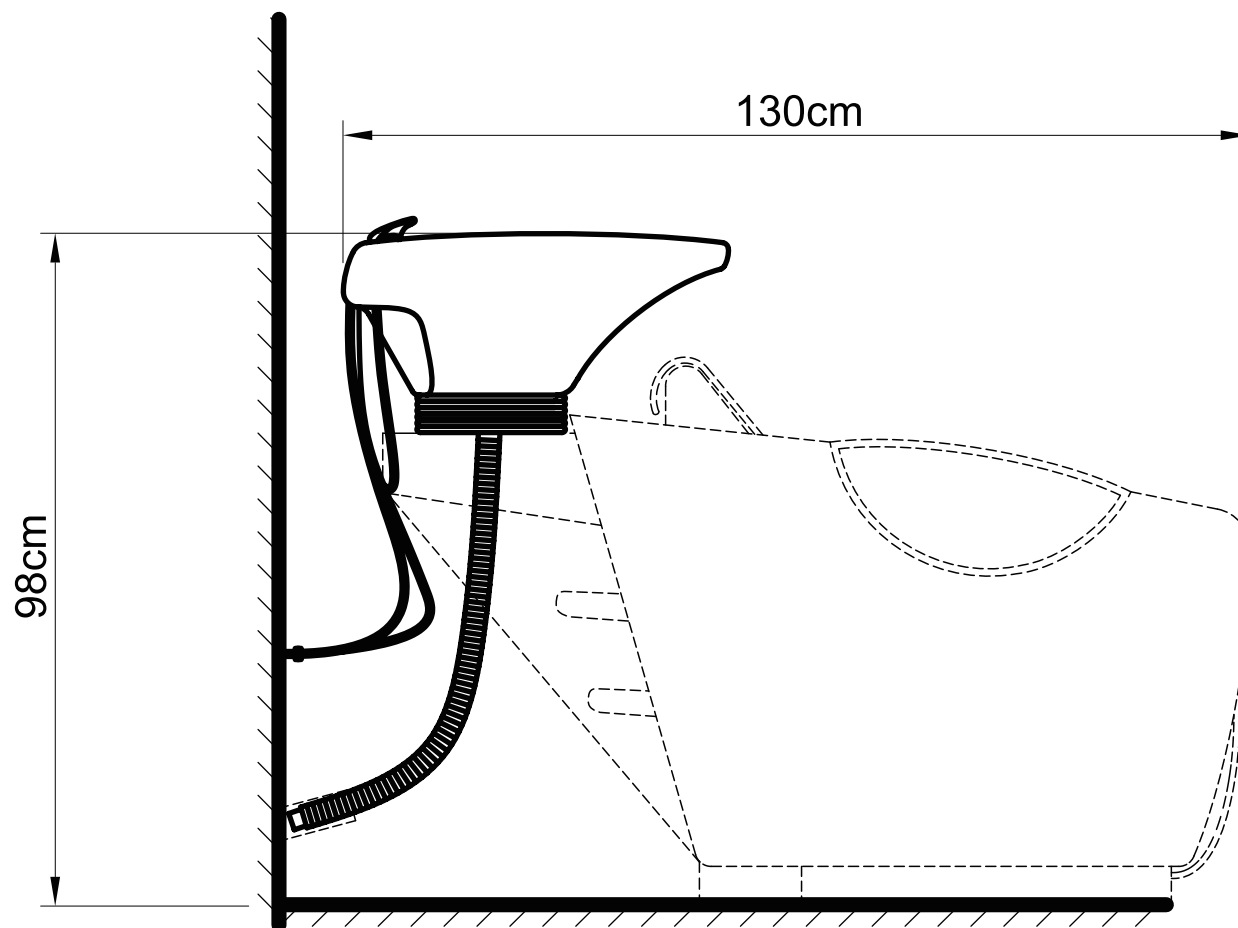
# PLUMBING INSTRUCTIONS

Plumbing setup:  
\*removable back panel to route both  
water supply lines and make all connections.





Wall plumbing setup:  
Circle opening on removable back for drain pipe exit



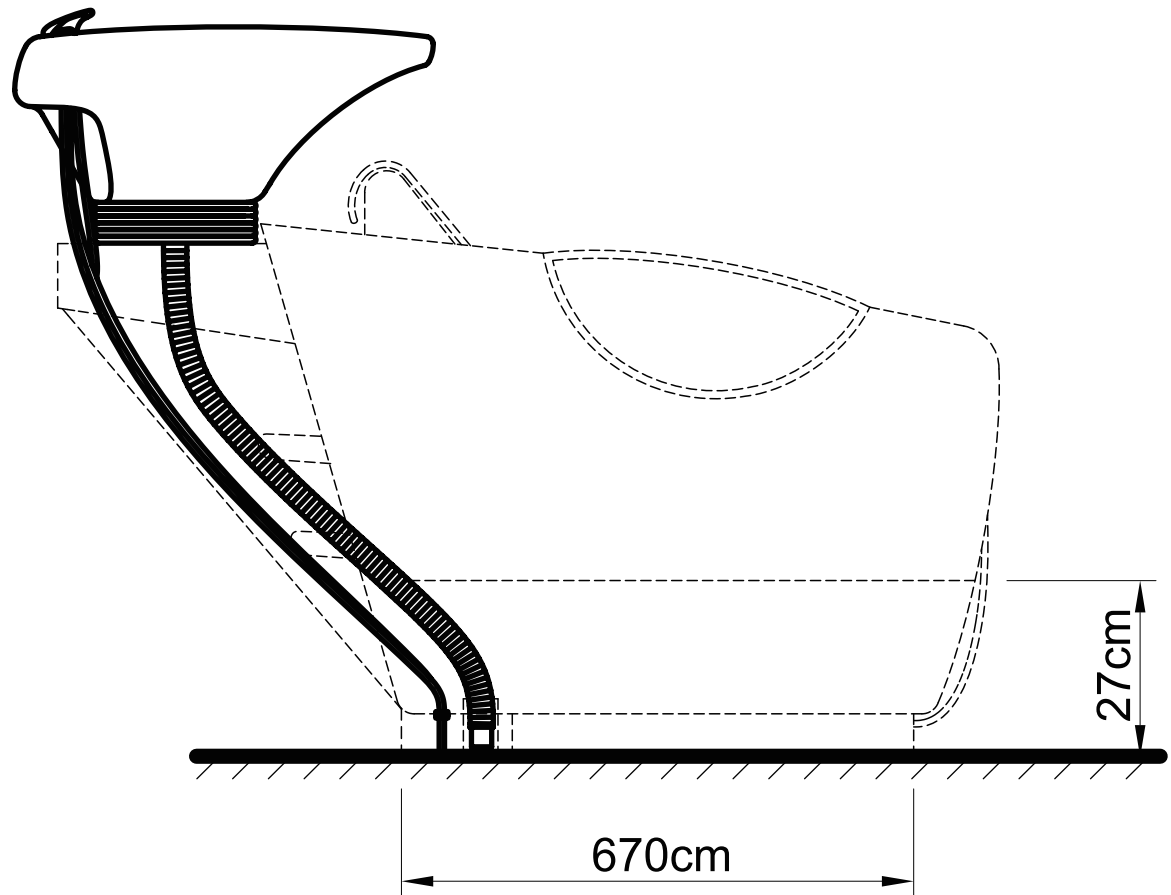
# PLUMBING INSTRUCTIONS

## Floor Plumbing

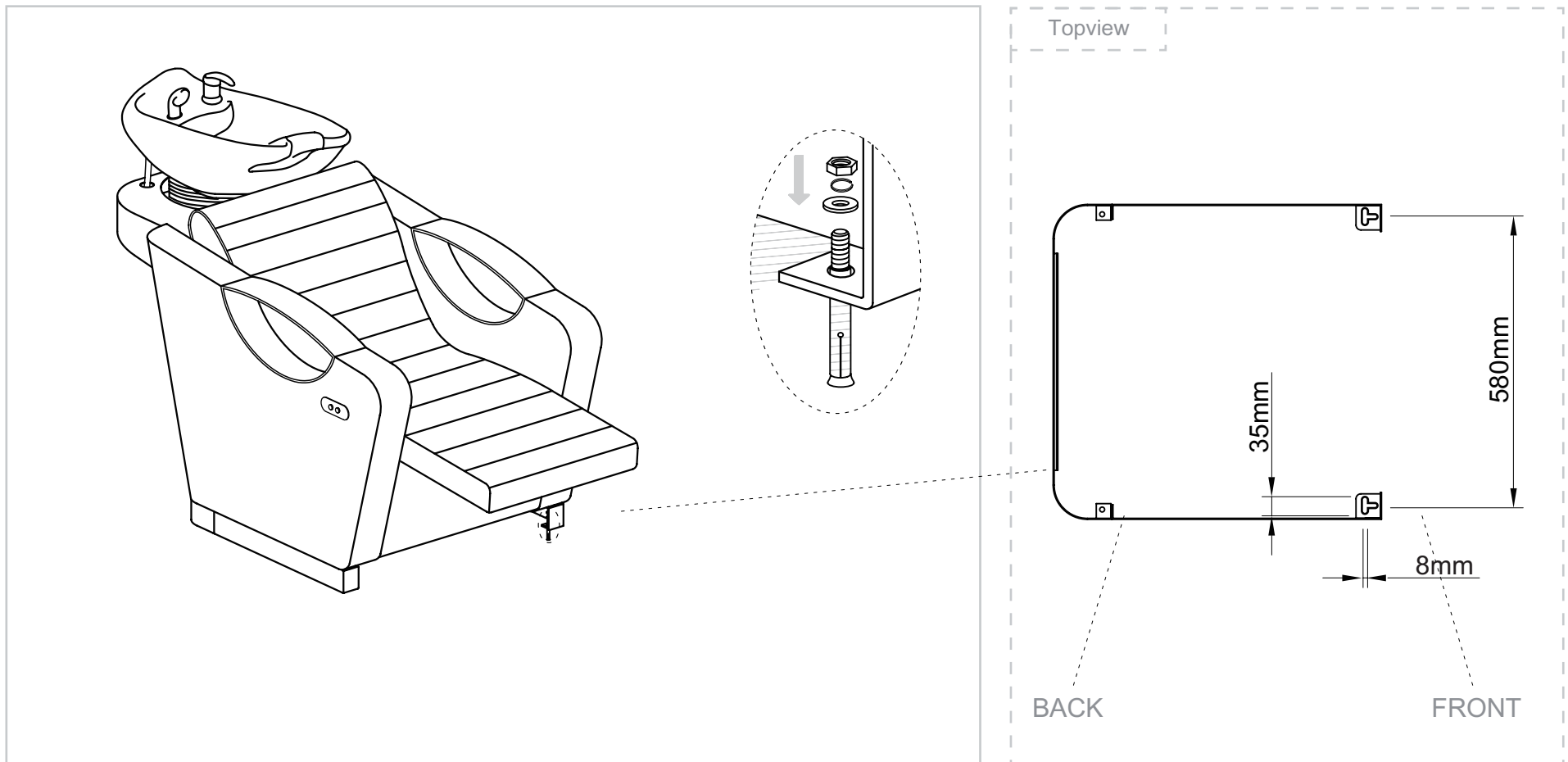
Floor plumbing setup:

All connection pipes are enclosed within the base unit.

Water supply lines are routed into the unit via circle opening on the back of the base.

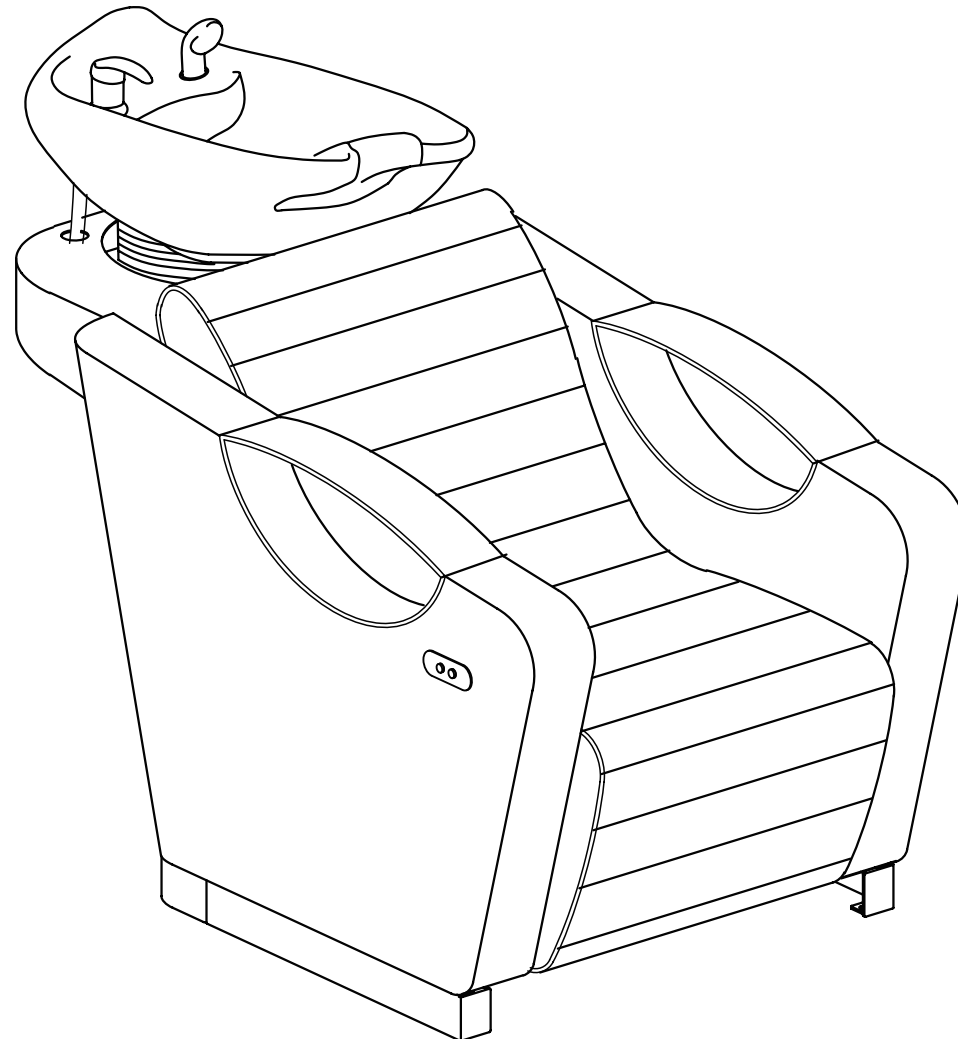


Secure the backwash on the floor by the provided floor anchors.

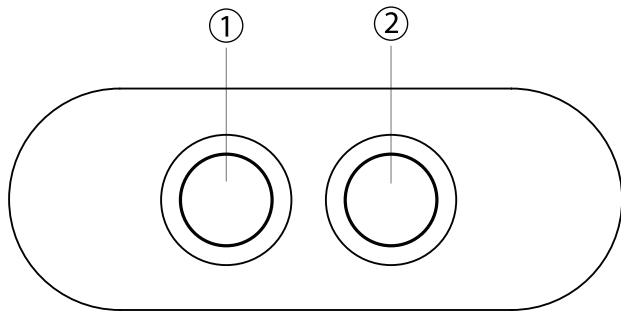


ASSEMBLY COMPLETE

DIR  
[www.dirgroup.co.uk](http://www.dirgroup.co.uk)

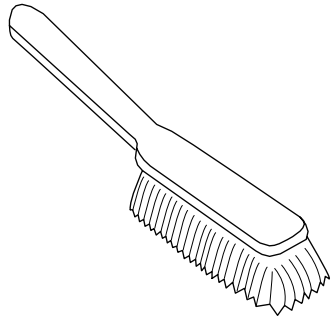


## ASSEMBLY INSTRUCTIONS Control Panel

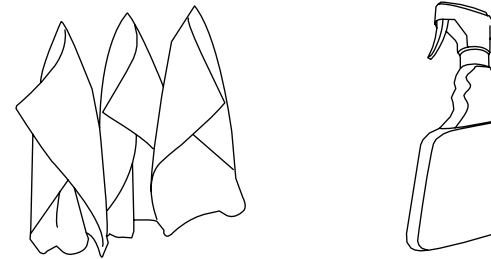


- ① — Press the button to raise the legrest of the Back Wash.
- ② — Press the button to lower the legrest of the Back Wash.

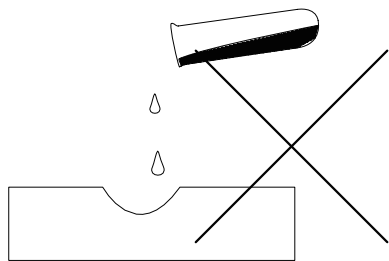
## AFTERCARE INSTRUCTIONS



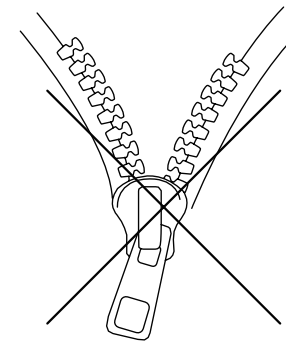
Brush away excess hair



Wipe clean with a cloth dampened in a mild leather cleaner or wipe dry with a clean cloth



Avoid the use of abrasives, bleaches or solvents



Never remove and wash leather covers

After an initial period of use, check all fastenings for any loosened screws etc. If found, please tightened appropriately

### DIR BIRMINGHAM (HEADQUARTERS)

66 Rea Street South  
Birmingham  
B5 6LB  
UK  
Sales: +44(0)800 085 3667  
Customer Service: +44(0)121 6433877  
Fax: +44(0)121 6333291  
Email: sales@dirgroup.co.uk  
Website: www.dirgroup.co.uk

### DIR LONDON

Unit 1 River Road Business Park  
33 River Road, Barking  
Greater London IG11 0DA  
UK  
Sales: +44(0)20 8591 9310  
Fax: +44(0)20 8594 4147  
Email: sales.london@dirgroup.co.uk  
Website: www.dirgroup.co.uk

### DIR NEW YORK

24 Woodward Ave.  
Suite C  
Queens, NY 11385  
USA  
Sales: +1 (718)628-6668  
+1 (800)728-2008  
Fax: +1 855-628-5168  
Email: sales@dirstalonfurniture.com  
Website: www.dirstalonfurniture.com

### DIR COLOGNE

Konrad-Adenauer-Straße 25  
50996 Köln  
Germany  
Sales: + 49 (0) 221 / 88888.128  
Fax: + 49 (0) 221 / 88888.122  
Email: sales@dirgroup.de  
Website: www.dirgroup.de

### DIR IRELAND

Unit 5 Block E  
Riverview Business Park  
Nangor Road  
Dublin 12  
Republic of Ireland  
Sales: +353 (01) 429 7969  
Email: sales.ireland@dirgroup.ie  
Website: www.dirgroup.ie

### FOLLOW US



**DIRSalon**



**DIRSalon**

If you have any enquires regarding the product warranty, please contact our customer services team.

**[www.dirgroup.co.uk](http://www.dirgroup.co.uk)**