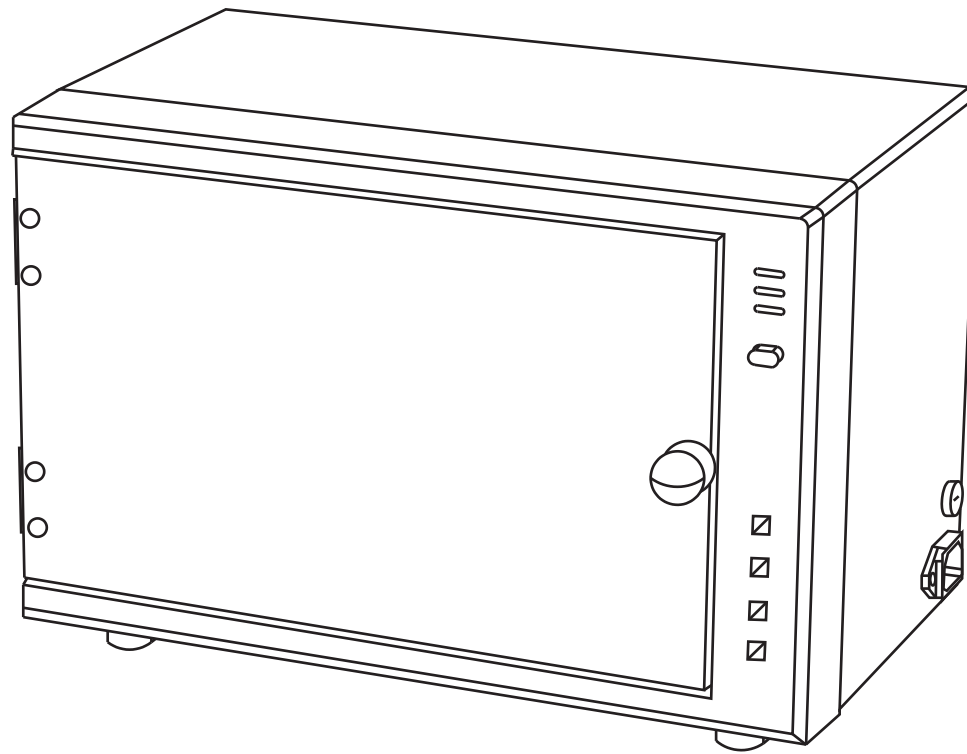


DIR[®]

UV SANITIZER

UV260

INSTRUCTION MANUAL



EN

Operation Instructions

1. OPERATION INTRODUCTION

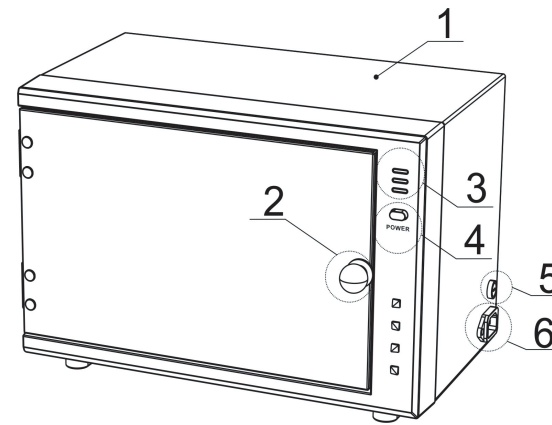
The instrument is composed of inner case, outer case, and UV light etc.

2. FUNCTIONS

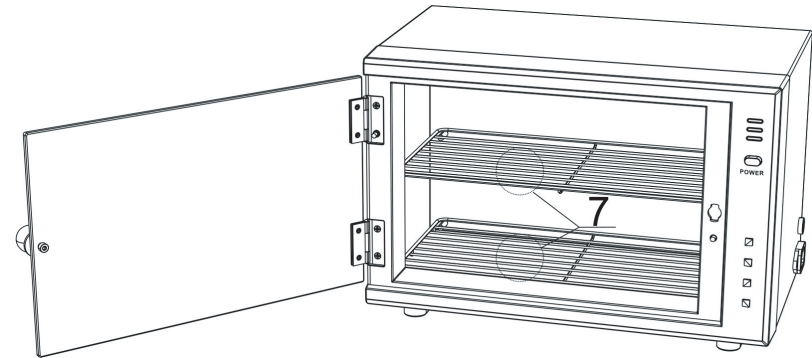
A useful basic appliance with UV light for an optical sterilization of kind of instrument, brush, surgical tools, knife, scissors etc.

3. SPECIFICATIONS AND TECHNICAL DATA:

Product Name	UV Sterilizer	
Item No.	H6555	
Rated Voltage	ac. 100-130V	ac. 220-240V
Working Frequency	50/60Hz	
Rated power	11W	15W
Dimension	362*241*235mm	
N.W	4.2 kg	
G.W	4.9kg	



- 1.Host Machine
- 2.handle
- 3.indicator light
- 4.power switch
- 5.Protective tube plug
- 6.Power input plug



- 7、 wire netting

5. OPERATING GUIDANCE

- 1.put the tools into the sterilizer, and then close the door, switch on the "power" button to start sterilizing.
- 2.please take out the tools after one hour sterilizing.

6. CAUTIONS:

Do not open the sterilizer in private. Please contact with our agent and qualified technician if failure or power cable damage

7.WARNING

- 1.Please shut off power after operation.
- 2.Read through the manual before operating the machine.
- 3.Don't open the machine in private. Please send back the machine to our company or our authorized agent for shooting the failure. Especially the power cord broken.
- 4.Operating the machine in a room temperature of 0-40 centigrade degree.
- 5.When using the machine.
 - a.Need the special person to look at the machine when operating.
 - b.Please notice cooling the machine.
 - c.When using the glass accessories, please take care of the glass accessories to avoid hurt to the customer.
 - d.Please put the machine in the place that the children cannot reach to avoid the accident.
 - e.It is hot when the machine is working: don't touch the shelves in the cabinet by hand.
 - f.Do not use the machine in the shower room or the place near the water.
- 6.Do not move the machine while it's ON or operating
- 7.Please test the accessories by operator first if the accessories need to touch the skin directly, and then apply in the skin of the customer.
- 8.We do not responsible for the results caused from the wrong installation of the machine. Such as: incompletely grounded device, not fixing the cover of the water cup, not fixing well the stand and soon.

※ If the picture on owner manual is different from the current product , then pls subject to current product. Our company will keep our right to improve .Pls forgive that the improvement would not notify if it is not affect normal use.

Warranty

The warranty period is one year. DIR warrants to you, the original buyer, that goods shall be free of defects in material and/or workmanship attributable to manufacture for one year from date of receipt of product. Damage resulting from improper handling after merchandise is received, or from exposure to weather or extreme atmospheric conditions is not covered by the warranty. For any other information please contact our support team:

DIR BIRMINGHAM

66 Rea Street South
Birmingham
B5 6LB
UK

Tel:
+44(0)121 6434777

Email:
dirsalon@gmail.com

DIR LONDON

Unit 1 River Road
Business Park
33 River Road, Barking
Greater London
IG11 0DA
UK

Tel:
+44(0)20 8591 9310

Email:
dirsalon@gmail.com

DIR NEW YORK

575 Underhill Blvd.
Suite 170
Syosset, NY 11791
USA

Tel:
+1 (718)628-6668
+1 (800)728-2008

Email:
sales@dirsalonfurniture.com

DIR IRELAND

Unit 20, Goldenbridge Ind.
Estate Tyrconnell Road
Inchicore
Dublin 8
Republic of Ireland

Phone:
+353 (1) 429 7969

Email:
sales.ireland@dirgroup.ie