

# APOLLO

8716

INSTRUCTION MANUAL



EN

# CONTENTS

Product Introduction	3
Warranty	4
Assembly Instructions	5
Technical data	5
Instructions	6
Control panel	7
Pedal control method	8
Height adjustment	9
Backrest adjustment	10
Seat tilt/recline adjustment	11
Footrest adjustment	12
The pillow adjustment	13
Footrest extension adjustment	14
Attentions	15
Aftercare Instructions	17
Contact Us	18

Please read the operation manual before using the product.

Please put the operation manual in the place easy for you to read and you can read it at any time.

Product Name: APOLLO

Product Code: 8716

Thank you for placing your order with the DIR In Reality Group. Our materials inc. faux leather etc, are specially sourced to provide quality and performance, as well as meeting UK/EU safety regulations to ensure customer satisfaction.

All of our facial beds are produced with strong resilient faux leather, tested by our manufacturer to ensure strength, memory, heat resistance and stain proofing. We also fit our facial beds with fire-retardant, pre-moulded memory foam to ensure continual use and sustained durability which we offer a 1 year warranty to ensure customer confidence in our products and our company.

# WARRANTY

The warranty period is one year. DIR warrants to you, the original buyer, that goods shall be free of defects in material and/or workmanship attributable to manufacture for one year from date of buyer's receipt of product. Damage resulting from improper handling after merchandise is received, or from exposure to weather or extreme atmospheric conditions is not covered by the warranty.

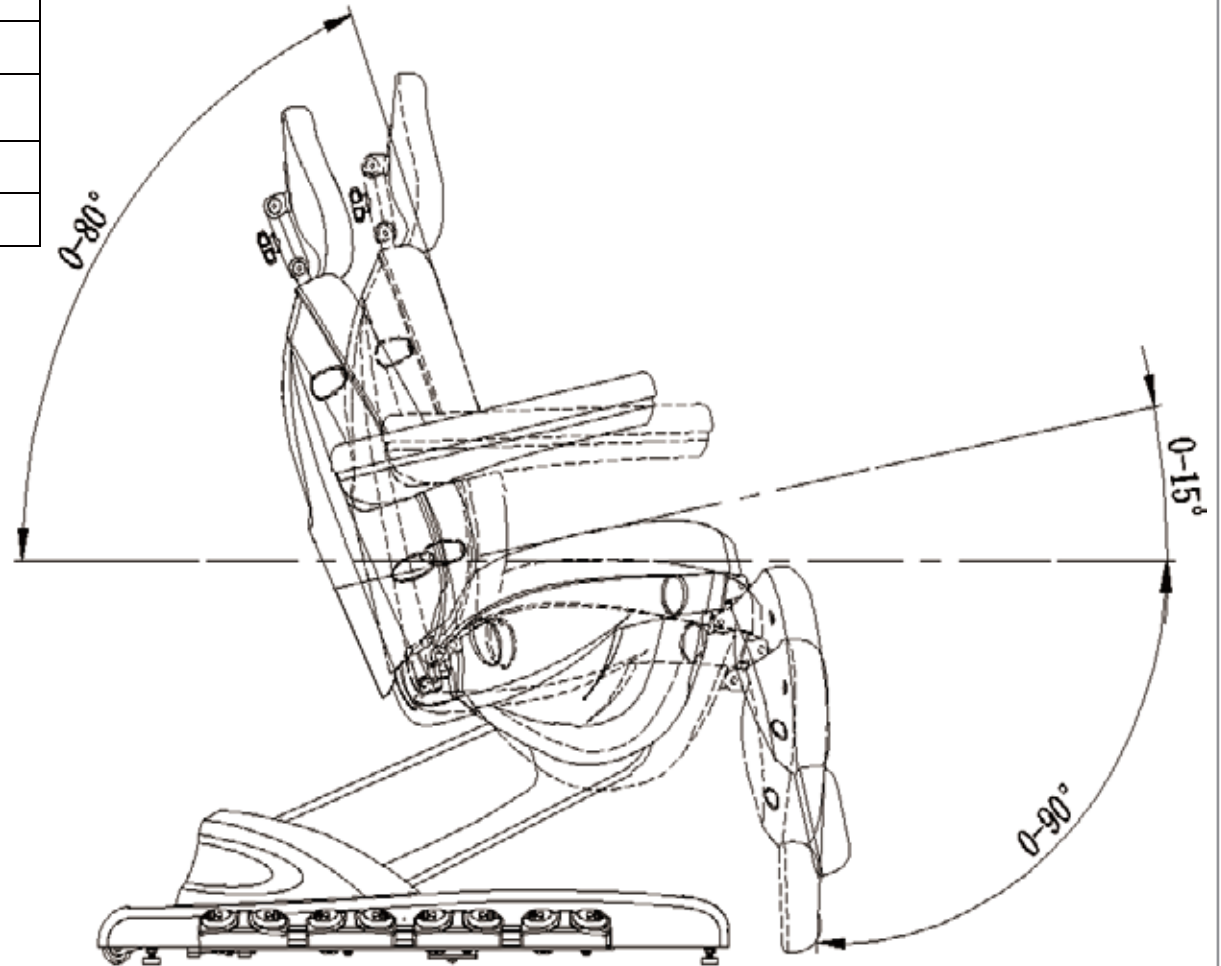
For any other information please contact our support team:

DIR BIRMINGHAM	DIR LONDON	DIR NEW YORK	DIR COLOGNE	DIR IRELAND
66 Rea Street South Birmingham B5 6LB UK ----- Tel: +44(0)121 6433877 ----- Email: sales@dirgroup.co.uk	Unit 1 River Road Business Park 33 River Road, Barking Greater London IG11 0DA UK ----- Tel: +44(0)20 8591 9310 ----- Email: sales.london@dirgroup.co.uk	24 Woodward Ave. Suite C Queens, NY 11385 USA ----- Tel: +1 (718)628-6668 +1 (800)728-2008 ----- Email: sales@dirsalonfurniture.com	Konrad-Adenauer-Straße 25 50996 Köln Germany ----- Tel: + 49 (0) 221/88888.128 ----- Email: sales@dirgroup.de	Unit 5 Block E, Riverview Business Park, Nangor Road, Dublin 12 Republic of Ireland ----- Tel: +353 (01) 429 7969 ----- Email: sales.ireland@dirgroup.ie

## ASSEMBLY INSTRUCTIONS

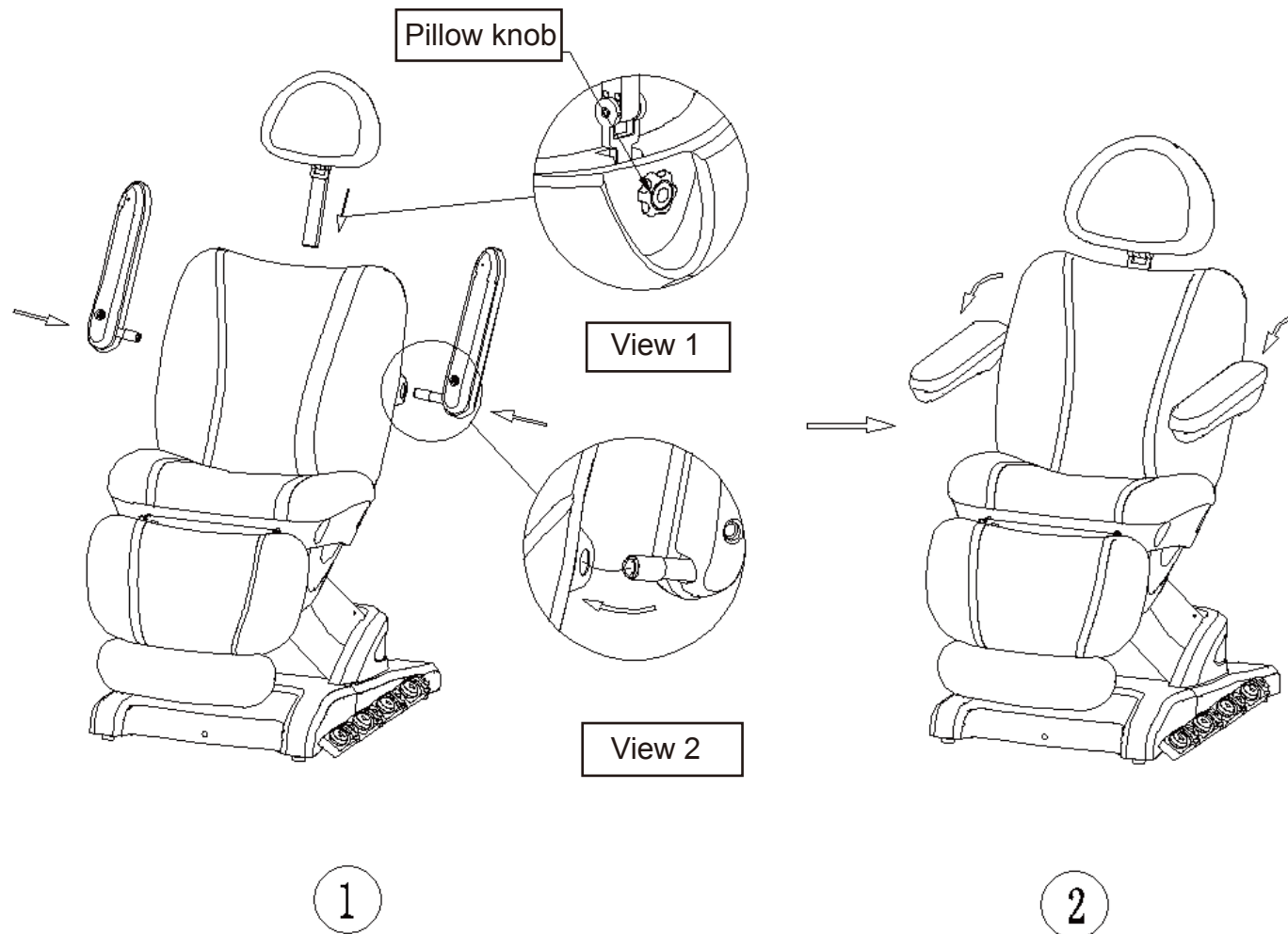
### Technical data

Measurement	1790x845x610-910mm
Maximum load	200kg
Net weight	73.5kg
Hydraulic height	610-910mm
Input voltage	AC100~130V/220~240 , 50/60Hz
Output voltage	DC 24V

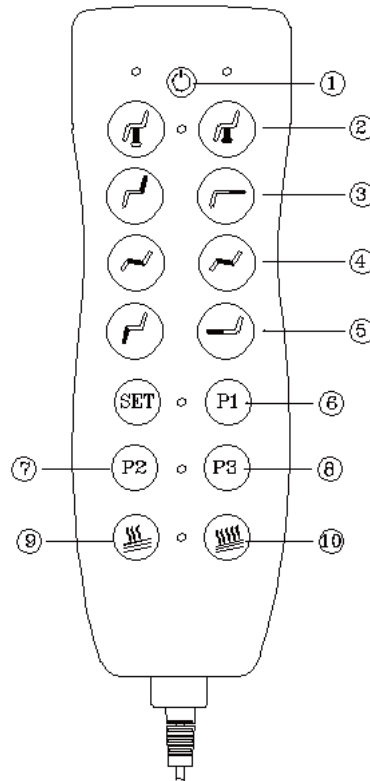


# ASSEMBLY INSTRUCTIONS

## Instructions



- (1) Install the pillow, connect it to the bed, loosen the knob to adjust the height of the pillow, as shown in picture 1.
- (2) Install the armrests, connect the bar of left and right armrests with the inner pin of the bed, rotate the armrests by 90 degrees counterclockwise, as shown in picture 2.



### Introduction for control panel

Press button ① to power ON the bed and be able to use all controls. Press ① again to power OFF the bed and the bed will return to its original state.

Press button ② to adjust the whole bed up and down.

Press button ③ to adjust the backrest up and down.

Press button ④ to adjust the incline angle for the seat.

Press button ⑤ to adjust the footrest up and down

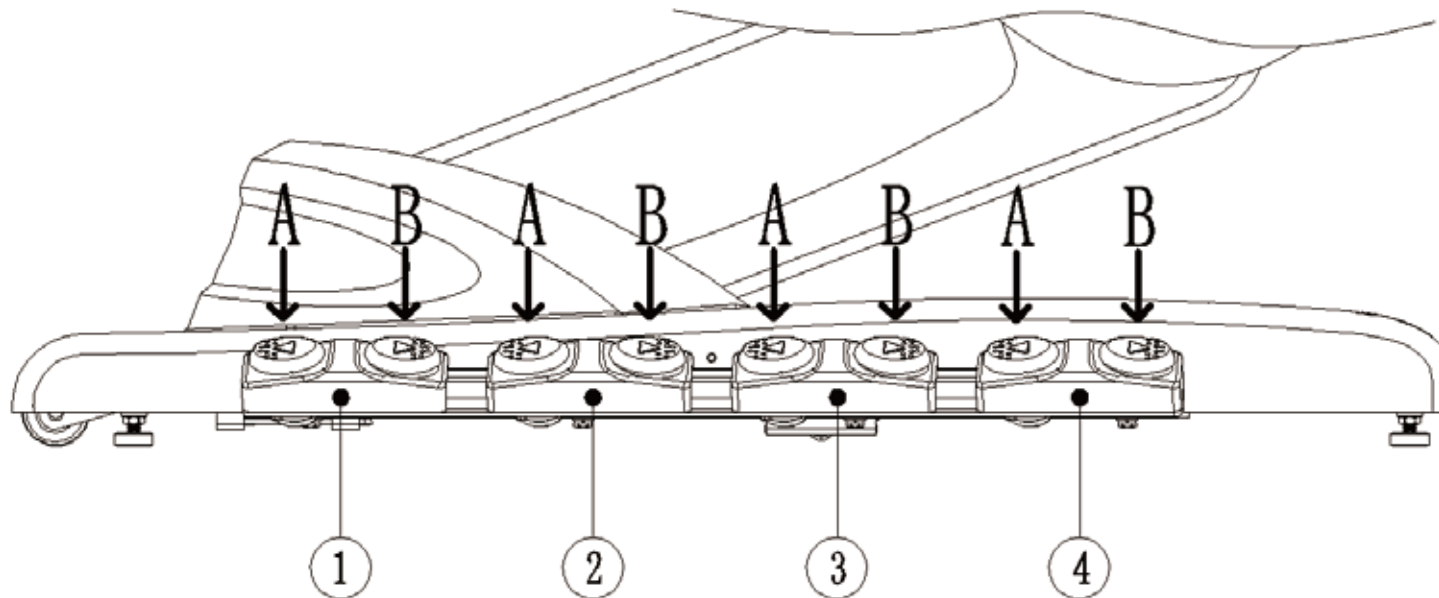
Press button ⑥-⑧ for your pre-set preferred height & chair position, you can preset up to 3 different pre-set positions

Press button ⑨ to turn off the heating function.

Press button ⑩ to turn on the heating function.

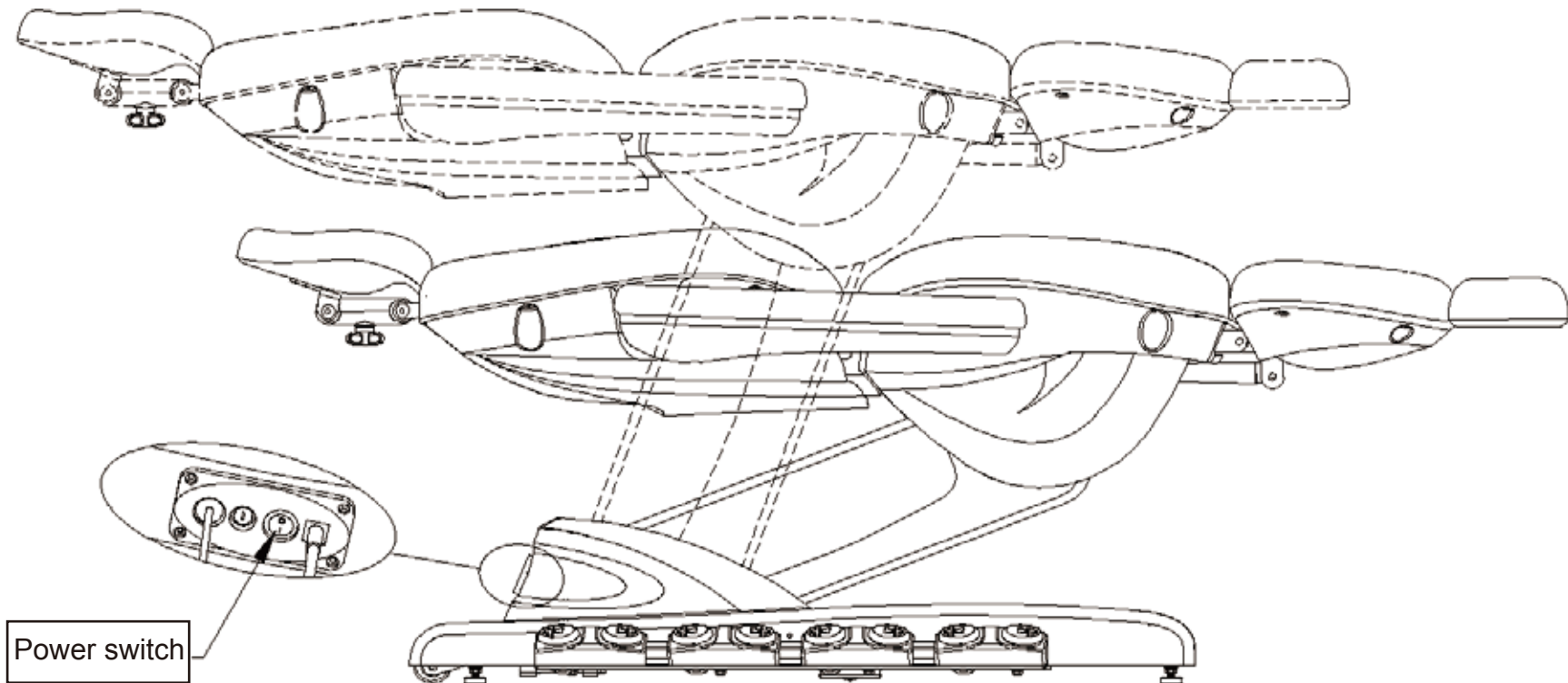
# ASSEMBLY INSTRUCTIONS

## Pedal control method



Please make sure the unit is turned ON before operating all adjustments.

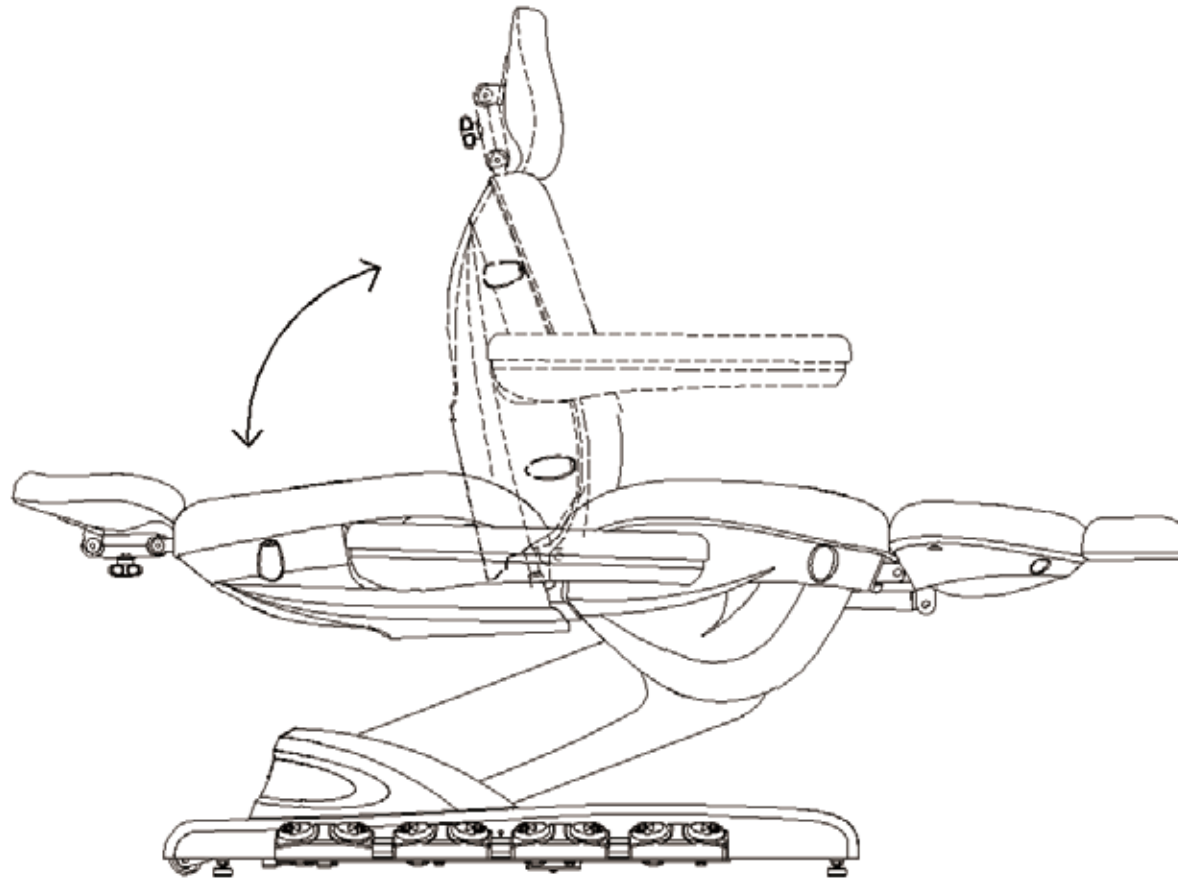




Pedal Control #1 controls the bed's height adjustment, step on A & B to raise or lower the bed.

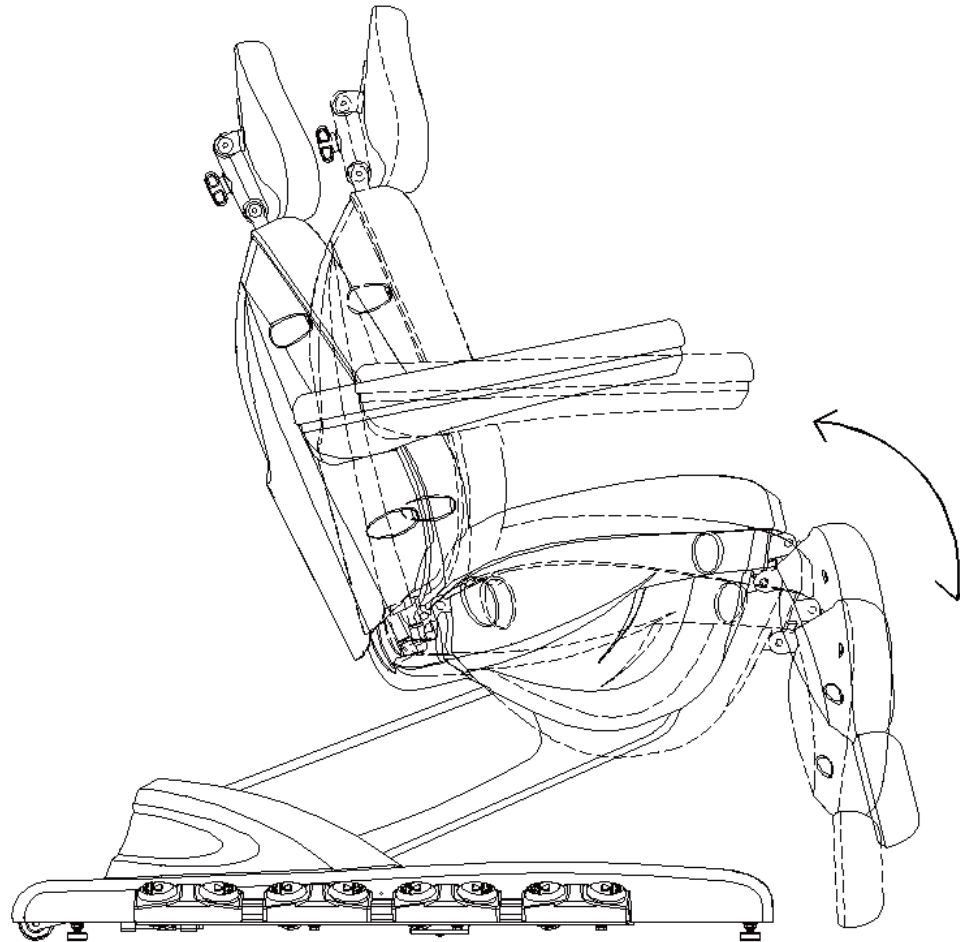
# ASSEMBLY INSTRUCTIONS

## Backrest adjustment



Step on A or B on the pedal control #2 to adjust the angel of the backrest, as shown in below picture

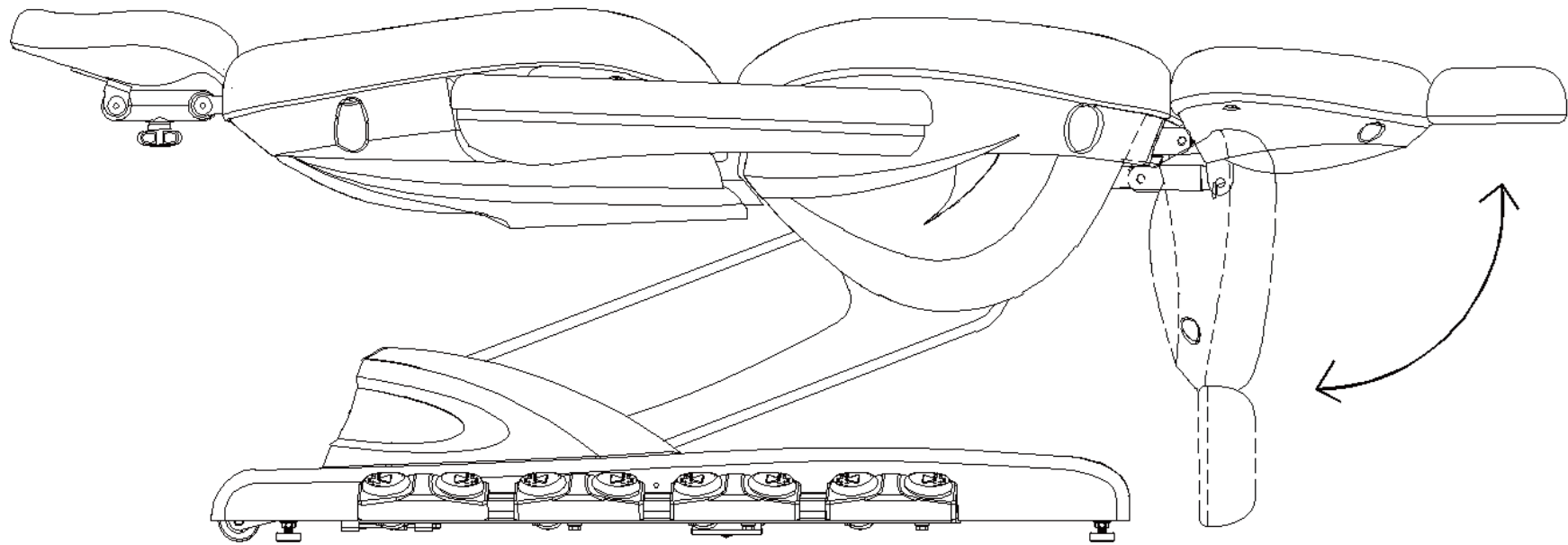
## ASSEMBLY INSTRUCTIONS Seat tilt/recline adjustment



Step on A or B on the pedal control #3 to adjust the incline angel of the seat, as shown in below picture

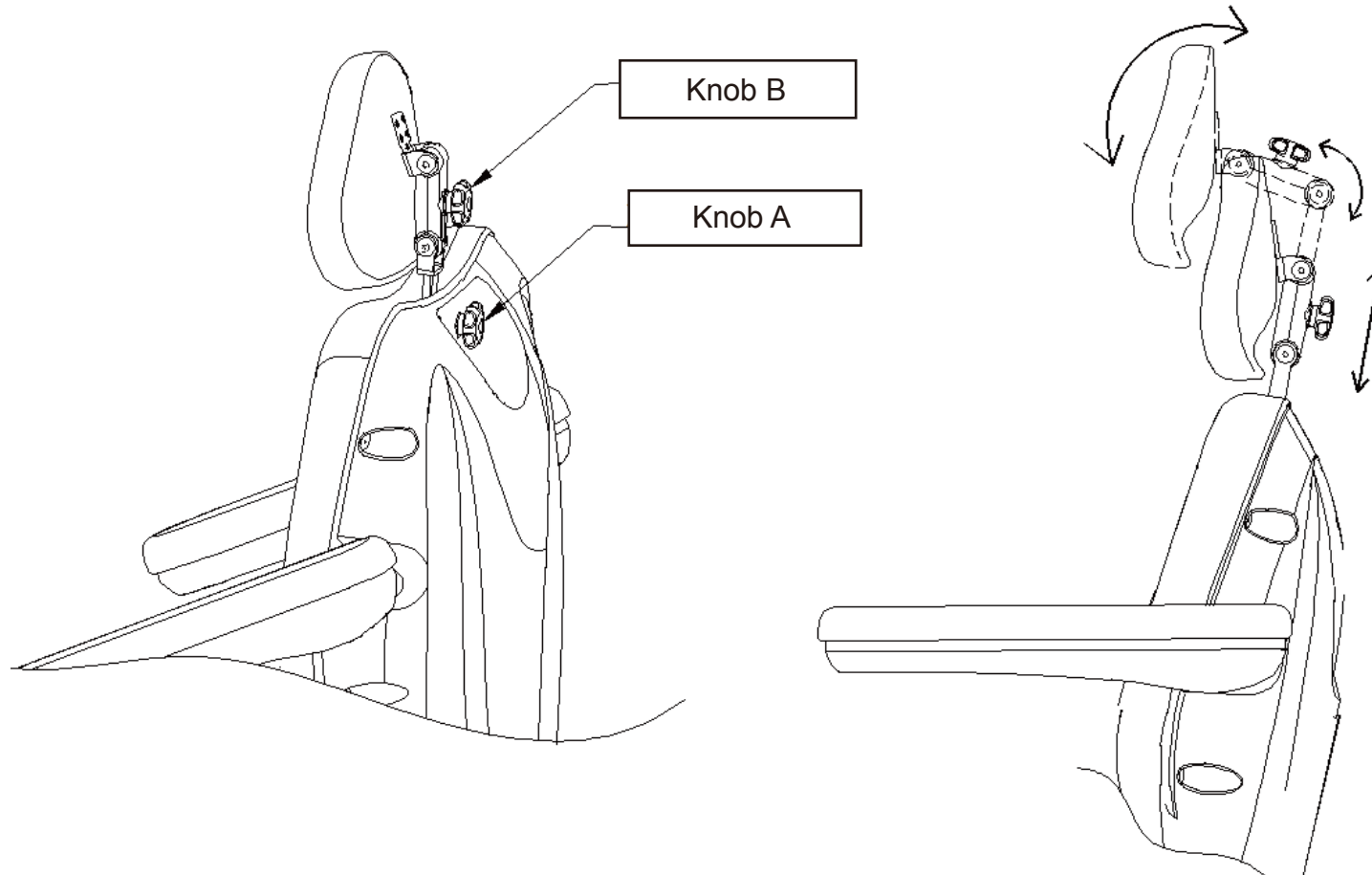
# ASSEMBLY INSTRUCTIONS

## Footrest adjustment



Step on A or B on the pedal control #4 to adjust the incline angel of the footrest, as shown in below picture

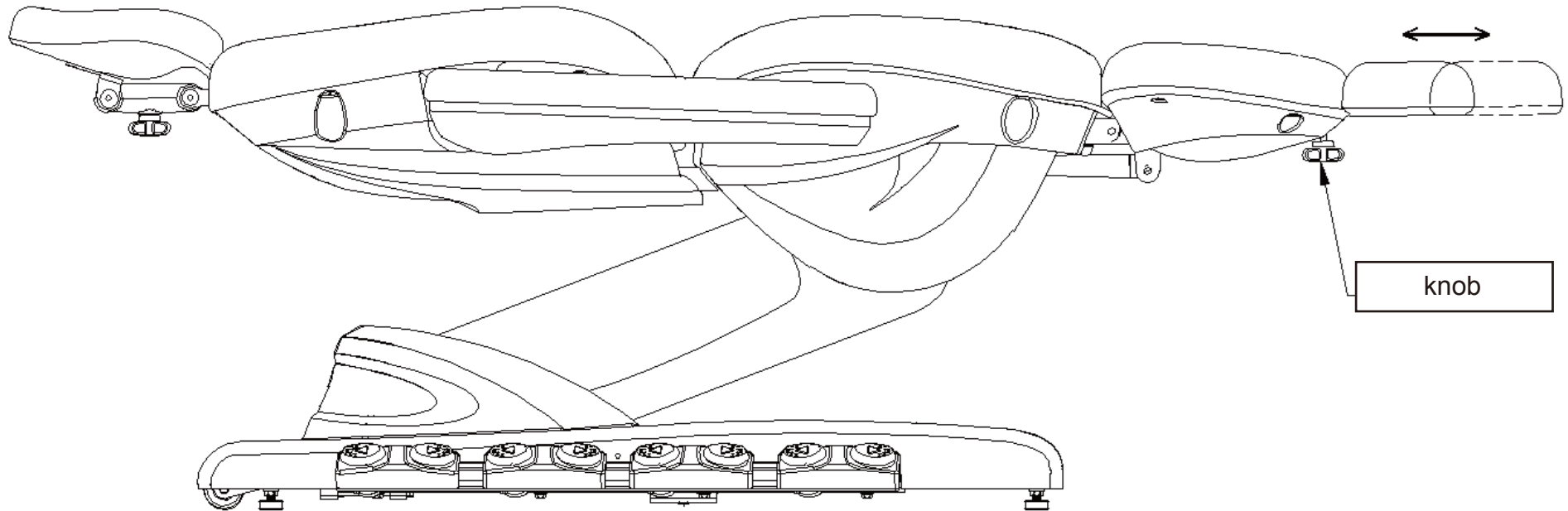
## ASSEMBLY INSTRUCTIONS The pillow adjustment



The height of the pillow can be adjusted by loosening knob A. You can rotate or flip over the pillow by loosen the knob B, as shown in below picture.

# ASSEMBLY INSTRUCTIONS

## Footrest extension adjustment



Adjust the extension of the footrest by loosening the knob under the footrest, as below picture shown.

### The suggestive instructions

1. Before connection, operation and adjust the bed, please read and the user manual carefully.
2. This electric massage bed uses a three-wire power cable. Meanwhile it should be inserted into the three-prong outlet where there is a ground electrode. And it should be assured that it can be connected to the ground electrode smoothly so that it can prevent people from getting electric shock while functioning normally.
3. Please keep remote, wiring and unit away from water.
4. Keep hands and legs away from gaps when adjusting the bed.
5. It is prohibited to use when plugs, buttons and other components connected to the power cable are damaged.

### Attentions

1. Breakages of the power cable and plug should be eliminated before it's normally used. Breakages should be dealt with by someone professionals or service providers.
2. The voltage should accord with the safety voltage before it's officially used. And the wrong voltage may lead to the breakdown of the product.
3. Wet hand is not allowed to touch power cord to avoid shock.
4. The product should not plug in before it's already installed.
5. The power cable should be tuck away safely to avoid tripping
6. Unit should be turned OFF when not in use

## Maintenance

1. Daily cleaning

You can wipe out the dust by using soft dry towel.

2. Eliminating the stubborn dirt

As we all know, it is hard to eliminate the stubborn dirt by using normal dry towel. In this case, you can use soft towel with diluted neutral detergent to clean it first. And then you can use a dry towel to scrub.

3. It's prohibited to use benzene, diluent, gasoline or other solvent.

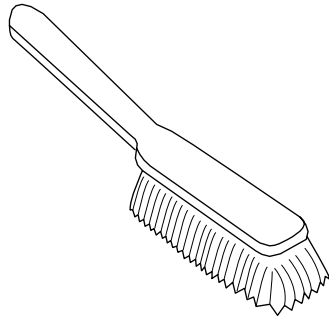
These solvents may damage the leather or it may cause the corrosion of the products' appearance.

4. Storage and operating environment

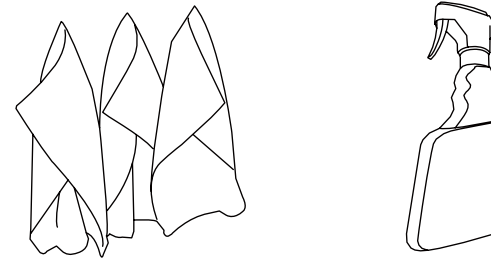
Don't put the product under the strong sunlight and moisture environment. Otherwise it may cause the damages of the product.



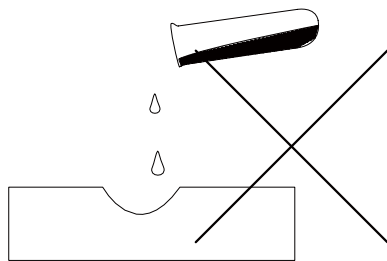
## AFTERCARE INSTRUCTIONS



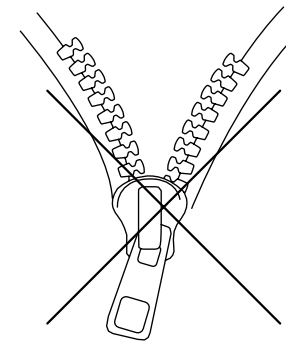
Brush away excess hair



Wipe clean with a cloth dampened in a mild leather cleaner or wipe dry with a clean cloth



Avoid the use of abrasives, bleaches or solvents



Never remove and wash leather covers

After an initial period of use, check all fastenings for any loosened screws etc. If found, please tightened appropriately

## CONTACT US

### DIR BIRMINGHAM (HEADQUARTERS)

66 Rea Street South  
Birmingham  
B5 6LB  
UK  
Sales: +44(0)800 085 3667  
Customer Service: +44(0)121 6433877  
Fax: +44(0)121 6333291  
Email: sales@dirgroup.co.uk  
Website: www.dirgroup.co.uk

### DIR LONDON

Unit 1 River Road Business Park  
33 River Road, Barking  
Greater London IG11 0DA  
UK  
Sales: +44(0)20 8591 9310  
Fax: +44(0)20 8594 4147  
Email: sales.london@dirgroup.co.uk  
Website: www.dirgroup.co.uk

### DIR NEW YORK

24 Woodward Ave.  
Suite C  
Queens, NY 11385  
USA  
Sales: +1 (718)628-6668  
+1 (800)728-2008  
Fax: +1 855-628-5168  
Email: sales@dirsalonfurniture.com  
Website: www.dirsalonfurniture.com

### DIR COLOGNE

Konrad-Adenauer-Straße 25  
50996 Köln  
Germany  
Sales: + 49 (0) 221 / 88888.128  
Fax: + 49 (0) 221 / 88888.122  
Email: sales@dirgroup.de  
Website: www.dirgroup.de

### DIR IRELAND

Unit 5 Block E  
Riverview Business Park  
Nangor Road  
Dublin 12  
Republic of Ireland  
Sales: +353 (01) 429 7969  
Email: sales.ireland@dirgroup.ie  
Website: www.dirgroup.ie

### FOLLOW US



If you have any enquires regarding the product warranty, please contact our customer services team.

**[www.dirgroup.co.uk](http://www.dirgroup.co.uk)**