

“Kotai” rectangular dining table / *mesa rectangular*

T457

180 cm / 70.75”

IN

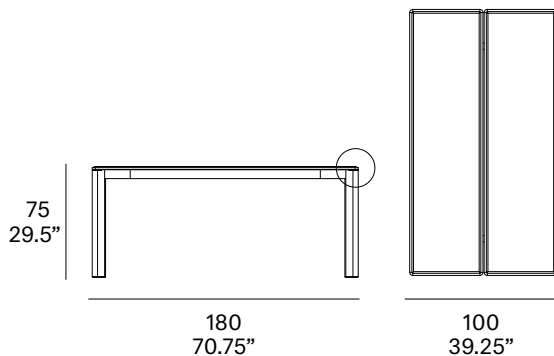


Structure made of solid wood profile from European oaks. Tabletop made of solid wood from European oaks with 22 mm/0.87” of section. Also available in European oak veneer.

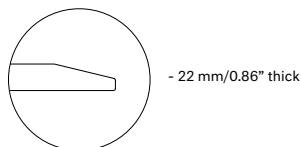
Estructura fabricada en perfiles maciza de roble europeo. Tapa fabricada en madera maciza de roble europeo de 22 mm de sección. Existe una versión en tablero chapado de roble europeo.

Shipment details

Qty	1 dining table (1 box)
Volume	0,27 m ³ / 9.6 ft ³
Gross weight	52 kg / 115 lb
Net weight	44 kg / 97 lb
Item dimensions (width x depth x height)	180 x 100 x 75 cm 70.75” x 39.25” x 29.5”



Tabletop:



“Kotai” rectangular dining table / *mesa rectangular*

T457

200 cm / 78.75”

IN

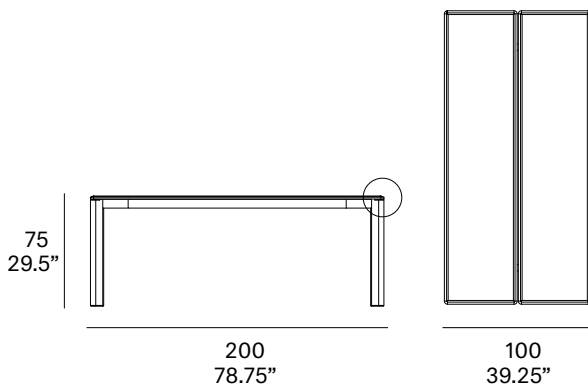


Structure made of solid wood profile from European oaks. Tabletop made of solid wood from European oaks with 22 mm/0.87” of section. Also available in European oak veneer.

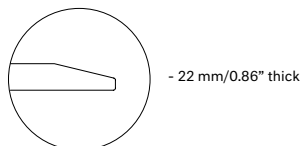
Estructura fabricada en perfilera maciza de roble europeo. Tapa fabricada en madera maciza de roble europeo de 22 mm de sección. Existe una versión en tablero chapado de roble europeo.

Shipment details

Qty	1 dining table (1 box)
Volume	0,30 m ³ / 10.6 ft ³
Gross weight	57 kg / 126 lb
Net weight	49 kg / 108 lb
Item dimensions (width x depth x height)	200 x 100 x 75 cm 78.75” x 39.25” x 29.5”



Tabletop:



“Kotai” rectangular dining table / *mesa rectangular*

T457

220 cm / 86.5”

IN

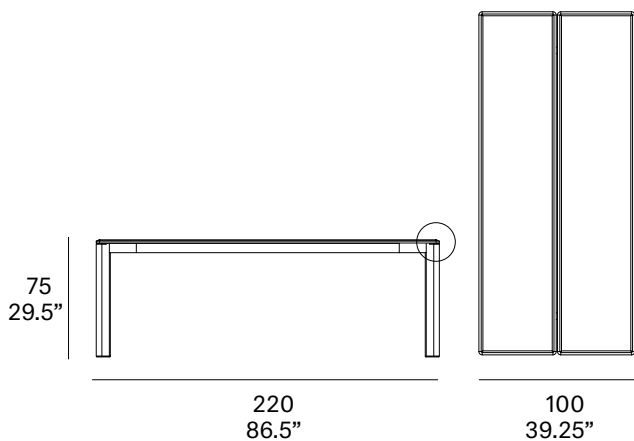


Structure made of solid wood profile from European oaks. Tabletop made of solid wood from European oaks with 22 mm/0.87” of section. Also available in European oak veneer.

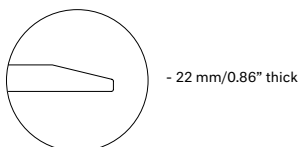
Estructura fabricada en perfilera maciza de roble europeo. Tapa fabricada en madera maciza de roble europeo de 22 mm de sección. Existe una versión en tablero chapado de roble europeo.

Shipment details

Qty	1 dining table (1 box)
Volume	0,33 m ³ / 11.7 ft ³
Gross weight	62 kg / 137 lb
Net weight	54 kg / 119 lb
Item dimensions (width x depth x height)	220 x 100 x 75 cm 86.5” x 39.25” x 29.5”



Tabletop:



“Kotai” rectangular dining table / *mesa rectangular*

T457

240 cm / 94.5”

IN

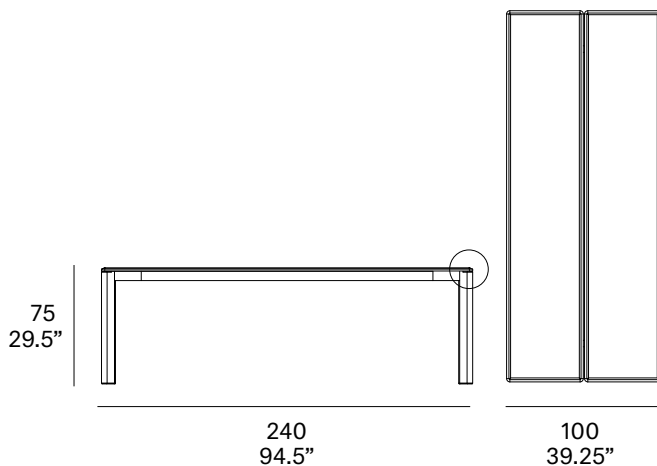


Structure made of solid wood profile from European oaks. Tabletop made of solid wood from European oaks with 22 mm/0.87” of section. Also available in European oak veneer.

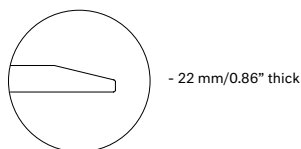
Estructura fabricada en perfilera maciza de roble europeo. Tapa fabricada en madera maciza de roble europeo de 22 mm de sección. Existe una versión en tablero chapado de roble europeo.

Shipment details

Qty	1 dining table (1 box)
Volume	0,36 m ³ / 12.7 ft ³
Gross weight	67 kg / 148 lb
Net weight	59 kg / 130 lb
Item dimensions (width x depth x height)	240 x 100 x 75 cm 94.5” x 39.25” x 29.5”



Tabletop:



“Kotai” rectangular dining table / *mesa rectangular*

T457

260 cm / 102.25"

IN

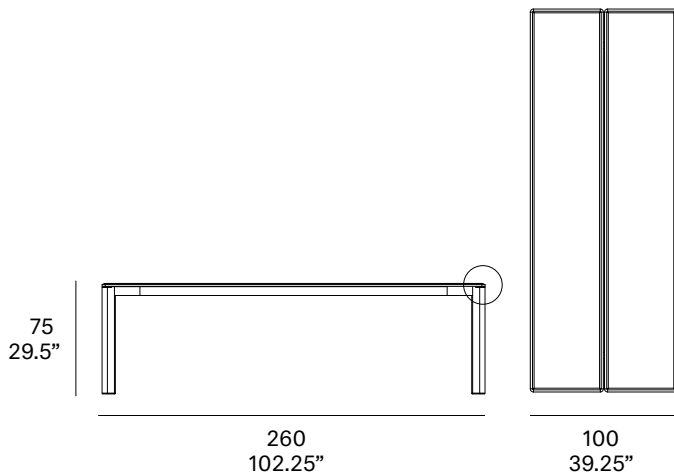


Structure made of solid wood profile from European oaks. Tabletop made of solid wood from European oaks with 22 mm/0.87" of section. Also available in European oak veneer.

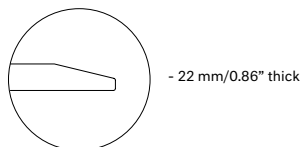
Estructura fabricada en perfilera maciza de roble europeo. Tapa fabricada en madera maciza de roble europeo de 22 mm de sección. Existe una versión en tablero chapado de roble europeo.

Shipment details

Qty	1 dining table (1 box)
Volume	0,38 m ³ / 13.4 ft ³
Gross weight	72 kg / 159 lb
Net weight	64 kg / 141 lb
Item dimensions (width x depth x height)	260 x 100 x 75 cm 102.25" x 39.25" x 29.5"



Tabletop:



solid wood / maderas macizas



water varnished



white stained



grey stained

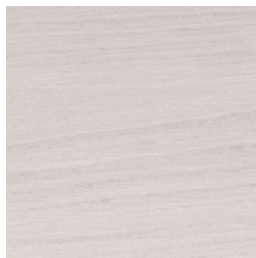


black stained

venerado / tablero chapado



water varnished



white stained



grey stained



black stained