

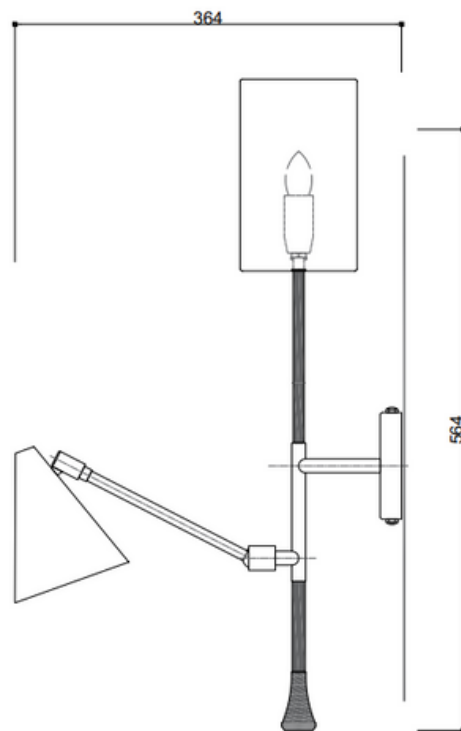
# JAS

JONATHAN AMAR STUDIO

## DE.LIGHT-W2

### Specification sheet

---



---

#### DESCRIPTION

The De-Light is a solid brass double wall light with a leather sheathed stem detail. The main structure tops an opal glass diffuser or a cylinder fabric shade and the directional stem features a conic shade mounted with a moveable joint. Perfect as a bedside reading lamp or to illuminate wall art.

For hotels and restaurants, where lighting optimization is often a Challenge, Ancora IX redefines layout possibilities with functionality and design. In private spaces, this model is an ideal addition to any living room, bedroom or vanity.

750€

---

#### DIMENSION

H 22.45 ", 57 cm

D 14.34 ", 36.4 cm

Arm length 24cm

Rectangular shade 11cm x 18cm H

Conical shade : D 11.5cm x 13cm H

Finish: Polished (as pictured) or aged

Leather colour: garnet, black, dark or light brown, camel, green

1x60 W Max G9 1x60 W Max E14

230 V - LED Integrated

120 V - LED

---

JONATHAN AMAR STUDIO

+(212) 661 41 45 00 - [agence@amar.fr](mailto:agence@amar.fr) - [www.jonathanamar.net](http://www.jonathanamar.net) - [@jonathanamarstudio](https://www.instagram.com/jonathanamarstudio)

