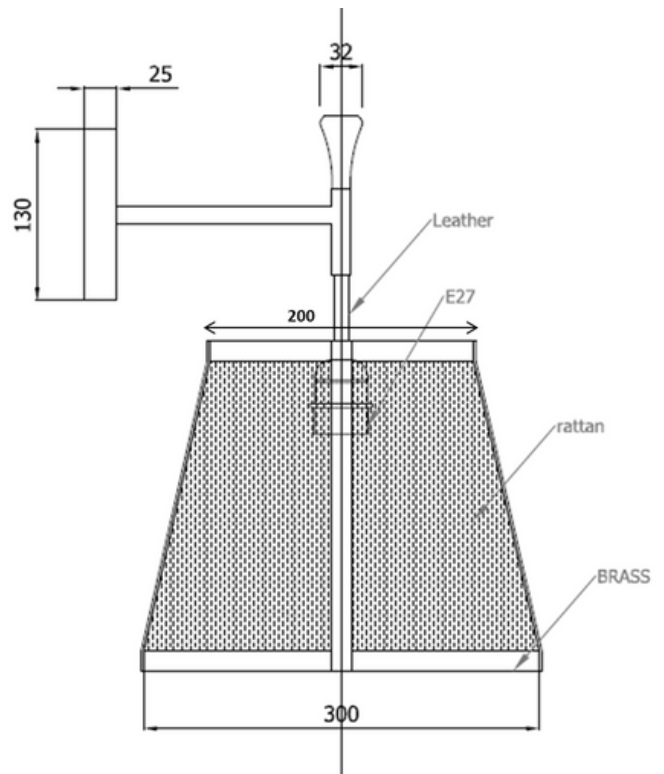


JAS

JONATHAN AMAR STUDIO

CAELI-W4

Specification sheet



DESCRIPTION

The Caeli-w4 is a wall light handcrafted with a modern brass structure and hand-woven rattan. The bottom of the stem is adorned with a sheathed leather detail hand-sewn by artisan saddle workers. The colour of this leather is available in brown, black, green, and red.

The Caeli-w4 sconce is a versatile lighting option which can be used in various settings. The warm, soft light is perfect for creating an inviting atmosphere in any space, while its modern design makes it a stylish addition to any living area, bedroom, or hallway.

Materials: Brass, Leather, Rattan

DIMENSION

H 17.33", 44 cm
W 11.82", 30 cm
D 11.42", 29 cm
Backplate size 5.11", 13 cm

Lead Time: 4-5 weeks

Shade: rattan

Leather: brown, black, green, red

Brass finish: aged, polished, varnished

Wired with the highest standards and universally compatible.

Light source: E27

Power Max. LED 6.5

Switch: No

Manufacture: Morocco

JONATHAN AMAR STUDIO

+(212) 661 41 45 00 - agence@amar.fr - www.jonathanamar.net - [@jonathanamarstudio](https://www.instagram.com/jonathanamarstudio)

