

Solar Fountain Feature

Model: FOUNT-MUSHROOM-BLUE

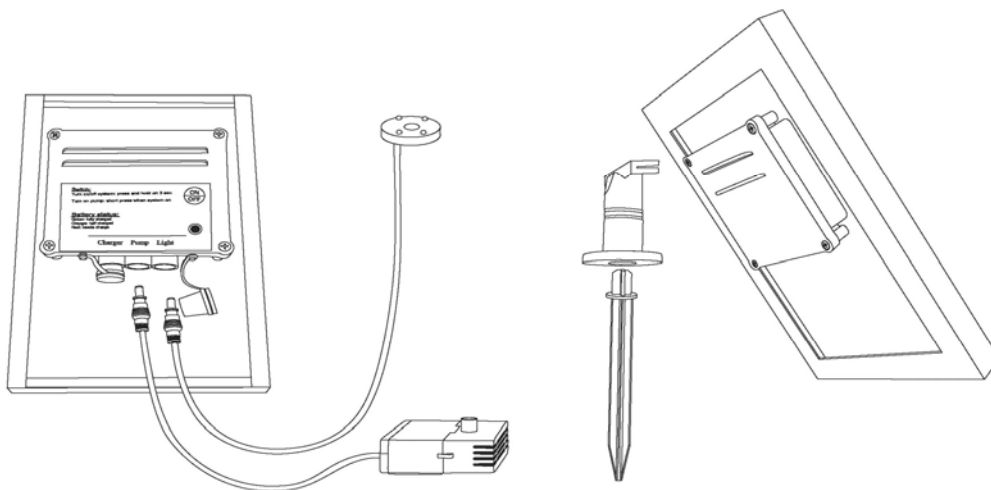
This instruction contains important information for using the product for the first time. Please keep this instruction for later reference. It should always accompany the product in the event of transfer a new user.

Note:

- 1. Charge the pump unit for at least two days before the pump is used for the first time;**
- 2. The LED light will work only when it's dark. If you want to test it in the daytime, turn the solar panel upside down and minimise exposure to sunlight.**

1 OVERVIEW

- 1.1 The solar pump is designed for fountain, pond or outdoor use. In order to make the solar pump work, the solar panel needs to be in direct sunlight. When the sun light is strong enough, the solar pump will start to work automatically. It will stop working when the solar panel is in shadow or the sunlight is not enough. If the fountain is used in evening, four built-in white LEDs will give light automatically to enhance the beauty scene of the water jet.
- 1.2 This solar pump is equipped with a battery pack. Extra electricity will be stored in the battery pack and to be used when there is no enough sunlight or in night times. It can be switched on and off by a touch switch on the control housing, which is on the control house which is affixed to the rear side of the solar panel, to use the stored electricity to power the pump.

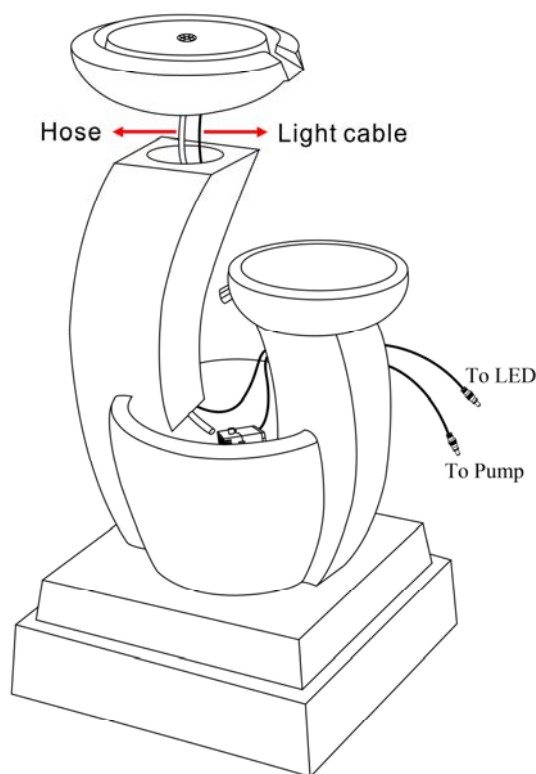


2 ASSEMBLING AND USING YOUR PRODUCT

- 2.1 Take out all parts of the packaging. Please keep in mind that some water may splash over the rim of a bowl, do not set up the cascade fountain on a surface which may be damaged by water.
- 2.2 Open the door behind the fountain.
- 2.3 Fill the cascade fountain with clean tap water.
- 2.4 Place the pump underwater and make sure that, it is fully immersed in water. In case the pump tube is too far from the surface of water, you can raise the pump by using stones or brick underlay.
- 2.5 Connect the pump cable to the socket of the control housing on the rear side of the solar panel;
- 2.6 Connect the LED light cable to the socket of the control housing;

2.7 Make sure direct sunlight shines on the solar module.

2.8 The solar cascade fountain is now ready for use.



3 CAUTION

- 3.1 Do not strike the solar panel
- 3.2 Do not let the pump run dry for long time
- 3.3 Do not lift the pump by the power cord
- 3.4 Operate in freshwater only

4 OPERATING INSTRUCTIONS

This solar pump is designed primarily to operate in sunlight hours and always charge extra energy to battery to allow use later “on demand” in cloudy day or night time. The pump will turn to solar mode automatically on next day in sunlight hours. The pump will never run on battery mode until your press the button.

Turn on the pump: short press to turn on the pump, the pump will run certain hours (ref to battery status) and turn to solar mode. The pump will operate automatically next day in sunlight hours.

Quick charge full energy to the battery: press and hold on 3 seconds to Turn OFF the pump in sunlight hours and charge the full solar energy to battery to allow use later of “on demand”.

Battery status:

Green: battery is full charged. Pump will run around 6-8 hours.





Orange: battery is half charged. Pump will run around 2-6 hours.

Red: battery needs charges. Pump will run less than 1 hour. (Note: In order to protect battery, don't manually turn on the pump frequently).

Note: The indicator light is blinking when pump on.

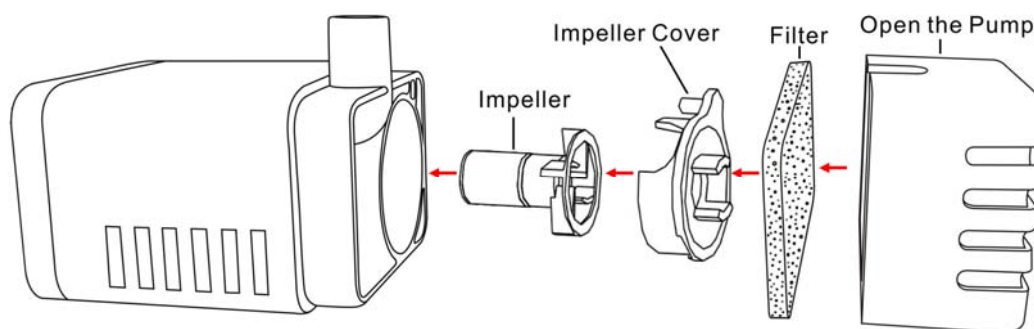
The indicator light is solid when pump off manually and charging battery.

Pump performance in different weather condition:

Weather	1. Pump on 2. Charge extra solar energy to battery	1. Pump off 2. Charge full solar energy to battery
	Solar runs the pump and charges the battery. Pump performance is maintained when the clouds pass. Pump runs on fully half an hour longer into the evening.	Battery should be fully charged in 1day.
	Solar runs the pump and supplies extra energy to the battery. Performance is maintained when the clouds pass. Pump will only run a shorter period of time into the evening.	Battery will take 2 to 3 days to fully charge.
	Pump will only run when there is sufficient power from the battery. Little or no battery charging occurs so pump performance is not maintained.	Battery will take several days to fully charge.
	No solar power is available, pump will not run and battery will not charge.	Battery will not charge.
<p>If the pump stop running when cloudy or night, and you want to force the pump running for certain hours, short press to turn on the pump, the pump will run certain hours until battery flat.</p> <p>Note: LED lights will only function at night.</p>		

5 CLEANING AND MAINTENANCE

Pump: If, after a period of time, the pump starts to lose power or stops working check for the build up of sediment, scale or dirt in the filter. Remove the pump cover and the impeller cover. Clean them and the filter by fresh water.



Solar panel: The panel should be cleaned periodically with a soft tissue. Regular cleaning of the panel is advised to maintain optimum conversion of the sun’s energy into direct current.

6 FUNCTIONALITY PROBLEMS

6.1 Pump does not operate even though the solar module is in full sunlight.

- No connection to the solar module – check connection to the solar module.
- Impeller is blocked – To clean the pump, remove the front plate and the impeller. Use a small brush or stream of water to remove any debris.

6.2 Pump does operate but there is no water running through the fountainhead check for the build up of sediment or scale in the tubes or the filter- clean the tubes and the filter.

7 STORAGE

7.1 Please charge the battery for at least a day in direct sunlight when the first time using the solar pump or when you store the solar pump for a winter.

7.2 In order to keep the battery long life, please charge the solar pump to fully charge status and plug-out the pump from the solar panel before you store the solar pump into warehouse.

8 TECHNICAL DATA

Solar Panel:	2W
Solar Pump Operation Voltage:	6V DC
Solar Pump:	0.8W
Water Flow Max.	200LPH
Water Lift Max.:	0.8M
LED Light	4 LED white light
Lithium Battery:	7.4V/2000mAH
Pump Waterproof Rate:	IP68
Panel Waterproof Rate:	IP44