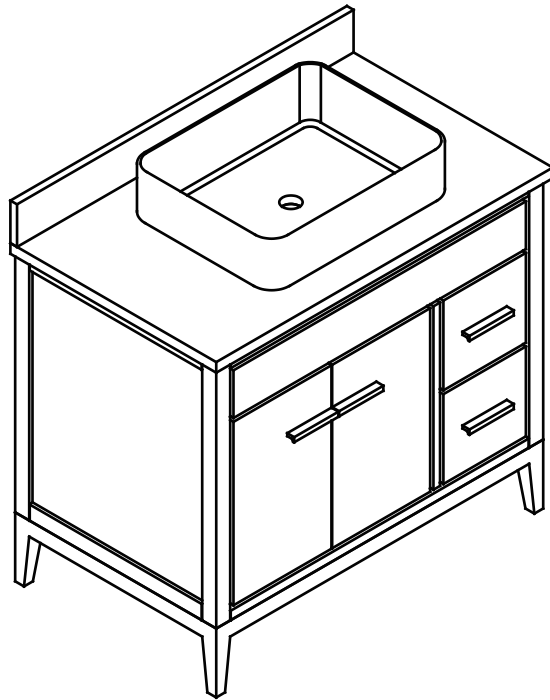




TENNANT BRAND
MINDFUL DESIGN

ASSEMBLY GUIDE



**Questions, Problems, Missing Parts? Before Returning To The Store,
Call Customer Service
8 A.M. - 7 P.M., EST, Monday-friday, 9 A.M. To 6 P.M. EST, Saturday**

1-305-224-1991

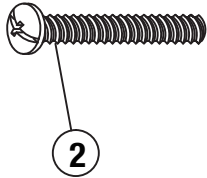
TENNANTBRAND.COM

Pre-Assembly (continued)

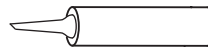
HARDWARE INCLUDED



NOTE: Hardware not shown to actual size.



SUGGESTED TOOLS AND MATERIALS



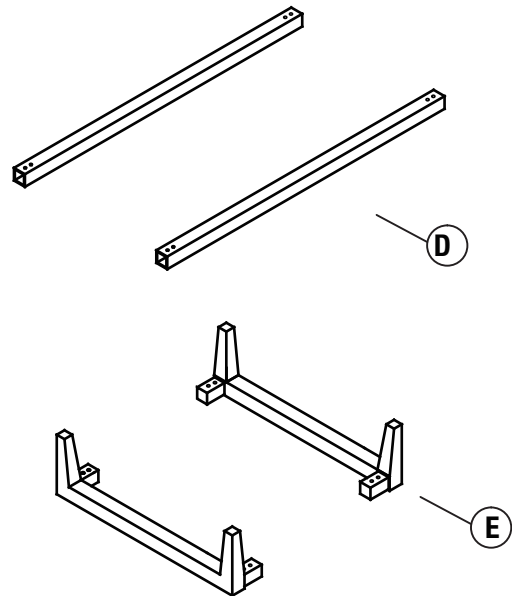
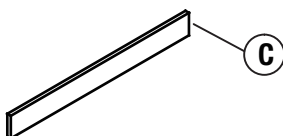
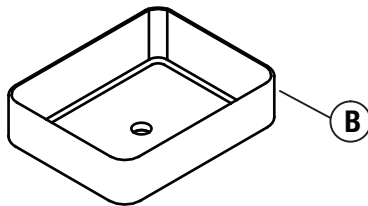
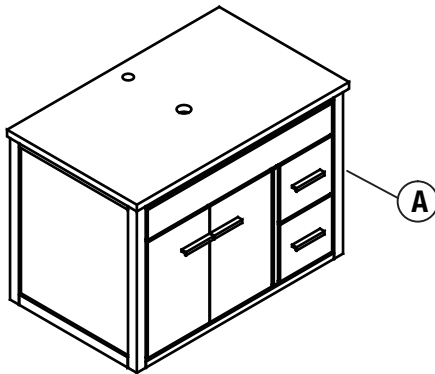
Sealant



Part	Description	Quantity
①	Flat head screw	10
②	Bolt	8

Pre-Assembly (continued)

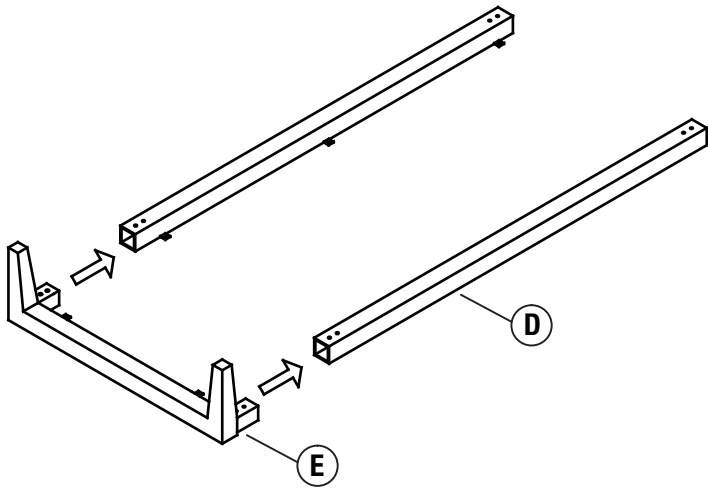
PACKAGE CONTENTS



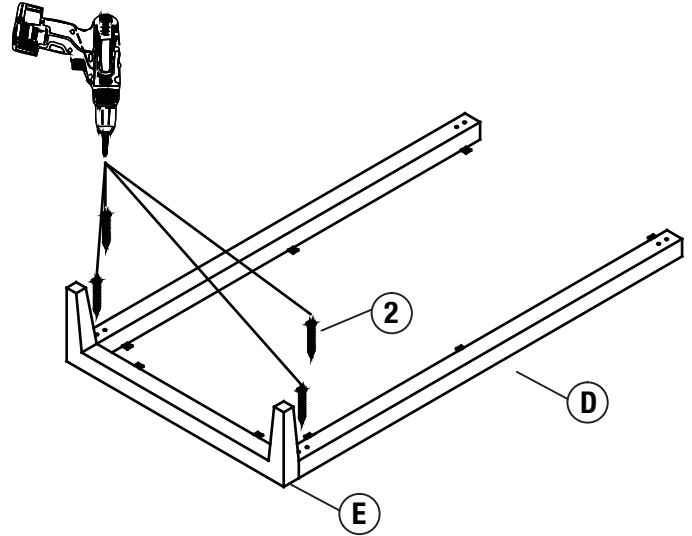
Part	Description	Quantity
Ⓐ	Cabinet body	1
Ⓑ	Sink	1
Ⓒ	Backspash	1
Ⓓ	Bottom	2
Ⓔ	leg	2

Assembly (continued)

1 Installing the end leg

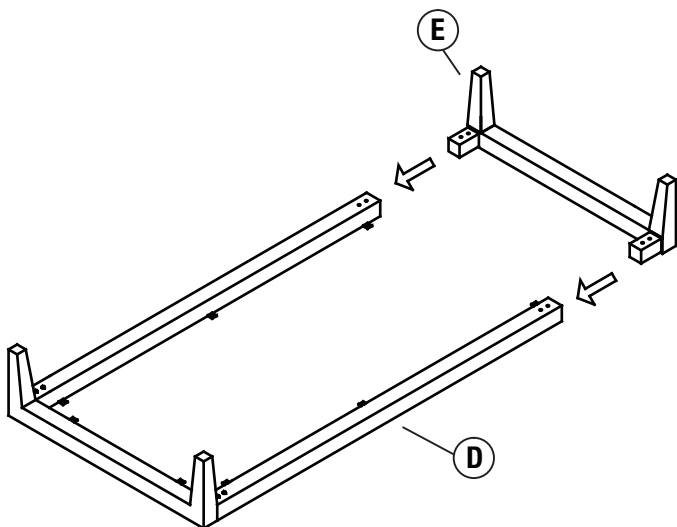


2 Installing the bottom and leg

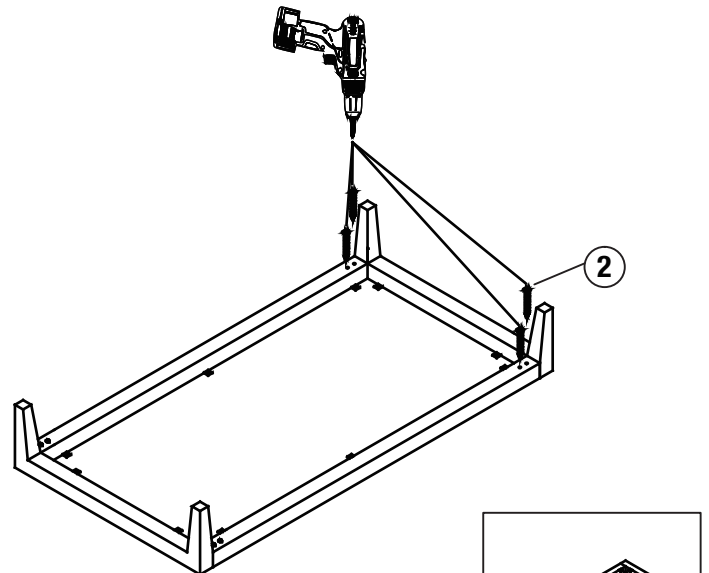


2		x4
---	---	----

3 Installing the bottom and leg



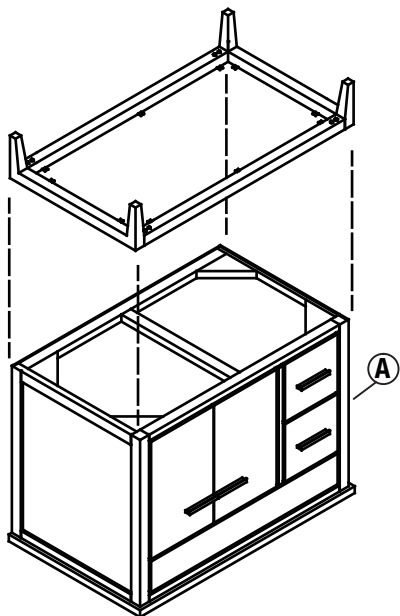
4 Installing the bottom and leg



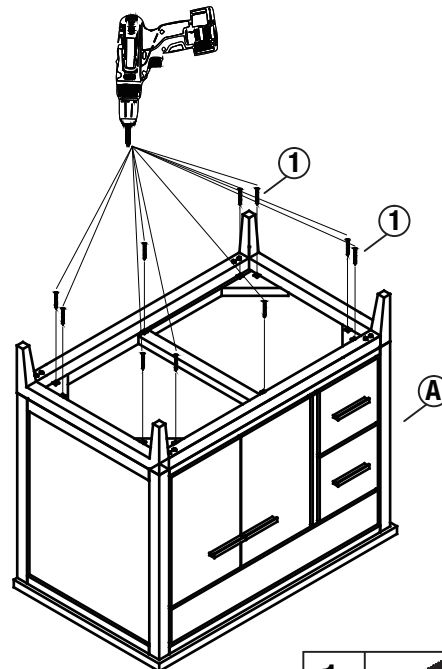
2		x4
---	---	----

Assembly (continued)

5 Installing the cabinet

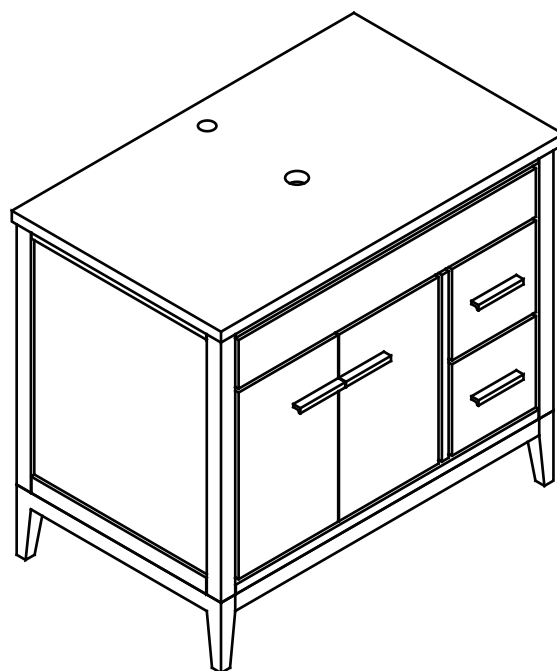


6 Installing the cabinet

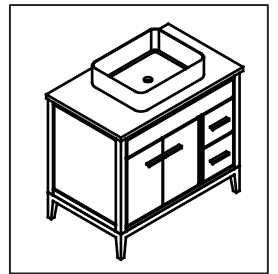
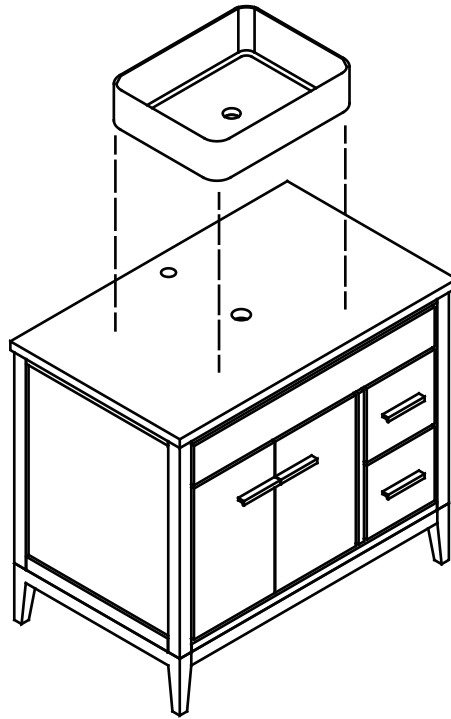
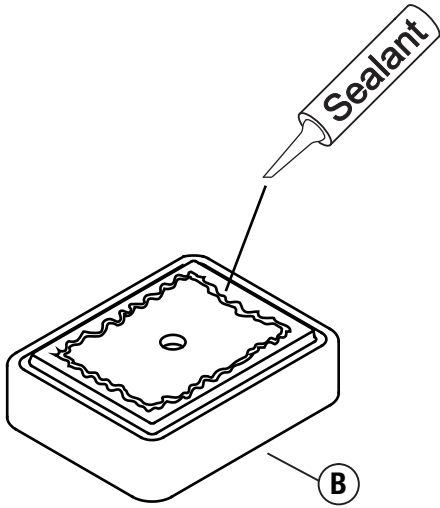


1		x10
---	---	-----

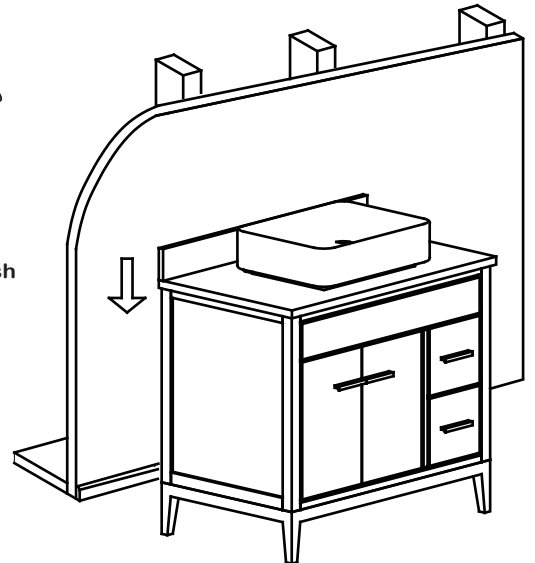
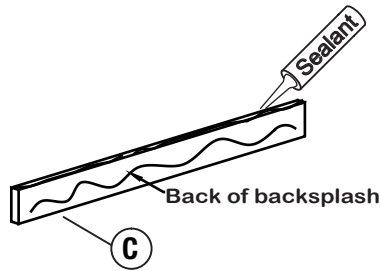
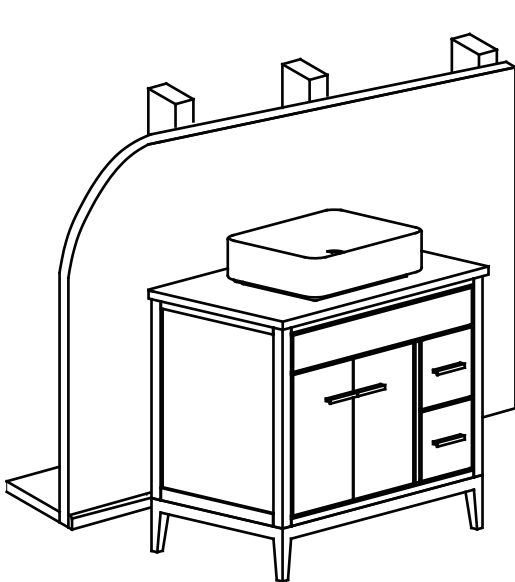
7 Installing the cabinet



10 Installing the Sink



11 Installing the BackSpalsh





TENNANT BRAND
MINDFUL DESIGN

**Questions, problems, missing parts? Before returning to the store,
call Customer Service**

8 a.m. - 7 p.m., EST, Monday-Friday, 9 a.m. - 6 p.m. Saturday

1-305-224-1991

TENNANTBRAND.COM

Retain this manual for future use.