

DIY MODERN OUTDOOR COFFEE TABLE W/ SANDBOX



MATERIALS:

- 2 - 2X8X8
- 3 - 2X2X8
- 4 - 1X6X8
- 1 - 1X4X8
- 2 - 1X2X8

NOTE: IF YOU WOULD JUST LIKE TO MAKE THE COFFEE TABLE WITHOUT A SANDBOX THE SUPPLIES WILL BE ALTERED BY ONLY NEEDING 2 - 1X6X8, YOU WON'T NEED THE 1X2X2S OR THE 1X4X8 OR THE WATERPROOF FABRIC

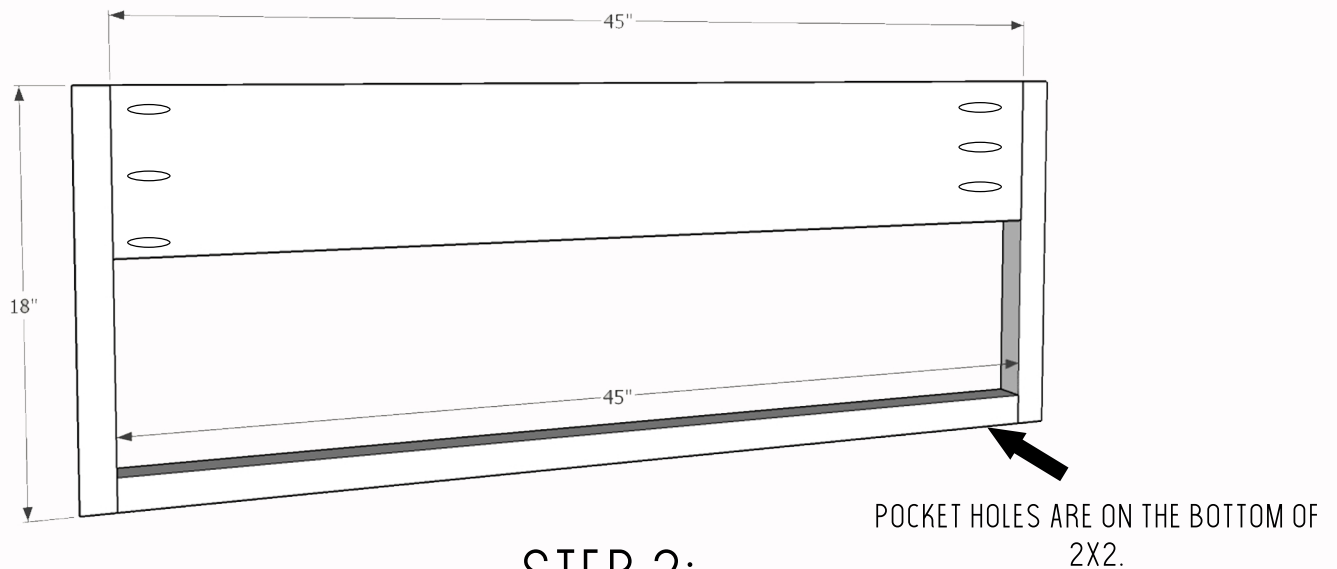
CUT LIST:

- 2 - 2X8 @ 45" - FRONT AND BACK, TOP RAILS
- 2 - 2X8 @ 21" - SIDE, TOP RAILS
- 4 - 2X2 @ 17 1/2" - LEGS
- 2 - 2X2 @ 45" - FRONT AND BACK, BOTTOM RAILS
- 2 - 2X2 @ 21" SIDE, BOTTOM RAIL
- 8 - 1X6 @ 21" - BOTTOM OF SAND BOX (OPTIONAL 3/4" PLYWOOD CUT AT 45" X 21" - USING A 2X4 PROJECT PANEL, IF YOU WOULD LIKE A SOLID BOTTOM WITHOUT A LINER)
- 8 - 1X6 @ 13 3/4" - LID BOARDS
- 2 - 1X4 @ 44 1/2" - LID BOARDS
- 2 - 1X2 @ 45" - LID SUPPORT BOARDS
- 2 - 1X2 @ 19 1/2" - LID SUPPORT BOARDS

NOTE: IF YOU WANT TO BUILD THE COFFEE TABLE WITHOUT THE SANDBOX, YOU CAN OMIT EVERYTHING LISTED AFTER THE 8 - 1X6 @ 21"

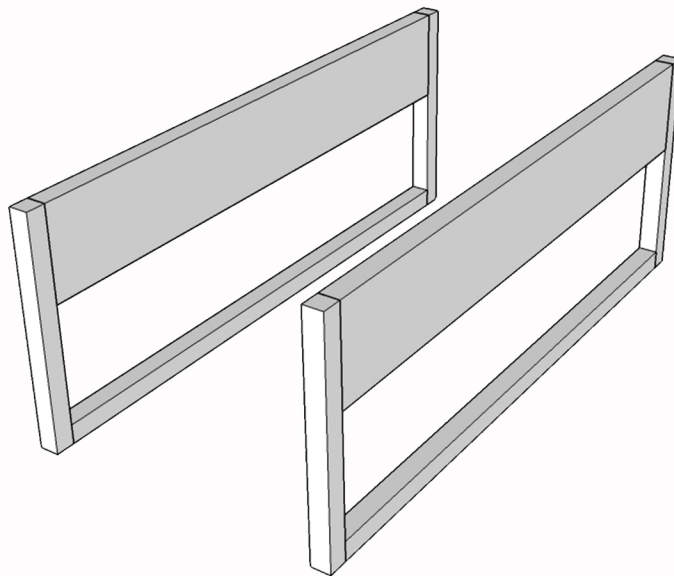
STEP 1:

CUT AND ATTACH THE BOARDS FOR THE FRONT OF THE SANDBOX. USING YOUR KREG JIG, DRILL HOLES AT A DEPTH OF $1\frac{1}{2}$ " AND USE WOOD GLUE ALONG WITH $2\frac{1}{2}$ " BLUE KOTE SCREWS TO ATTACH.



STEP 2:

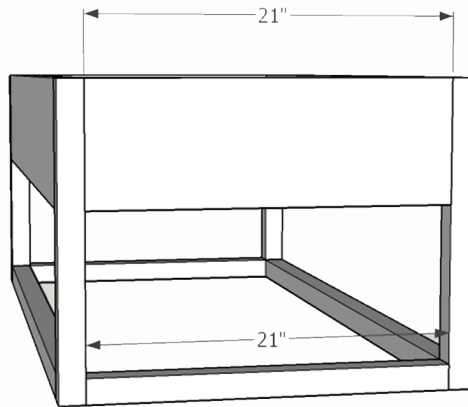
BUILD ANOTHER PANEL JUST LIKE YOU DID IN STEP 1, YOU WILL THEN HAVE A FRONT AND BACK!



STEP 3:

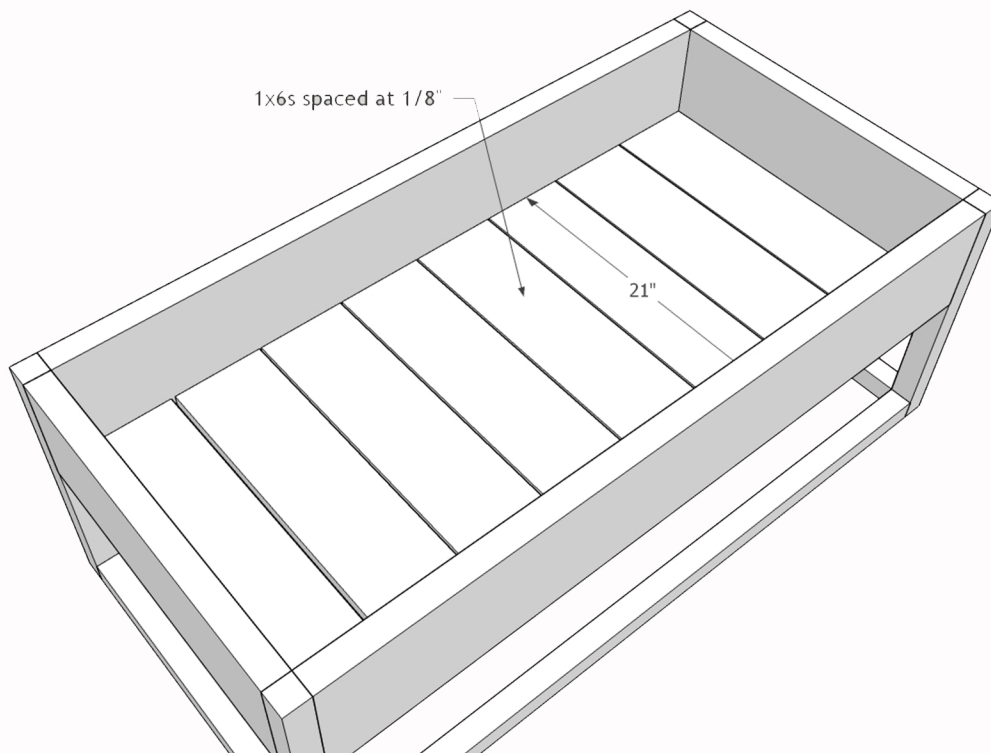
JOIN THE FRONT OF THE TABLE TO THE BACK OF THE TABLE BY BUILDING THE SIDES! YOU WILL STILL BE USING $1\frac{1}{2}$ " POCKET HOLES AND $2\frac{1}{2}$ " SCREWS AND WOOD GLUE TO ATTACH.

POCKET HOLES ARE PLACED THE SAME AS IN STEP 1, BUT TO THE INSIDE OF THE TABLE ON THE 2X8.



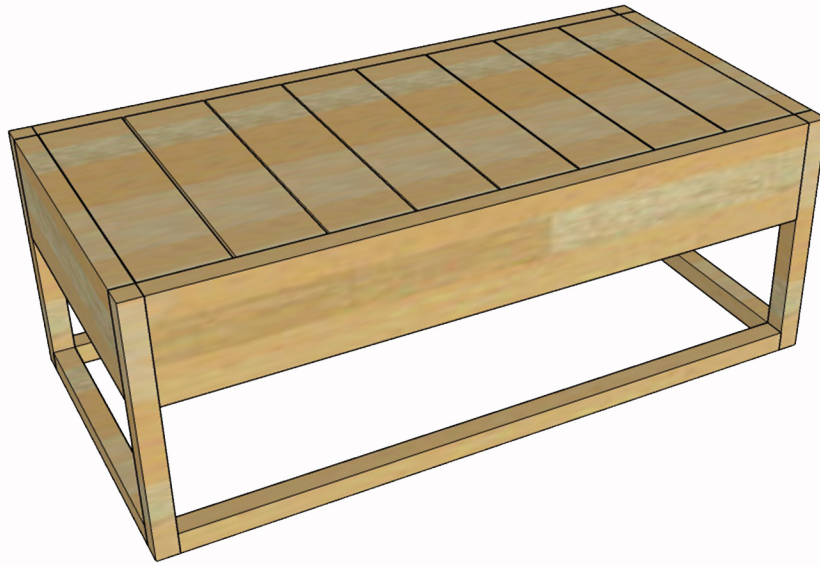
STEP 4:

ADD THE BOTTOM 1X6 BOARDS TO CREATE A SOLID SURFACE FOR THE LINER TO REST ON. DRILL POCKET HOLES AT A DEPTH OF $\frac{3}{4}$ " AND USE WOOD GLUE AND $1\frac{1}{4}$ " BLUE KOTE SCREWS TO ATTACH. SPACE THE BOARDS ROUGHLY $\frac{1}{8}$ " APART.



NOTE: IF YOU WOULD LIKE TO JUST BUILD A COFFEE TABLE WITHOUT THE SANDBOX, YOU WILL JUST NEED TO USE THE BOARDS YOU CUT FOR THE BOTTOM, AND ATTACH THEM TO THE TOP OF THE TABLE. YOU WILL STILL USE POCKET HOLES TO ATTACH IT THE SAME WAY. YOUR TABLE IS DONE!

HERE IS WHAT THE TABLE WILL LOOK LIKE IF YOU CHOSE TO BUILD IT WITHOUT THE SANDBOX!

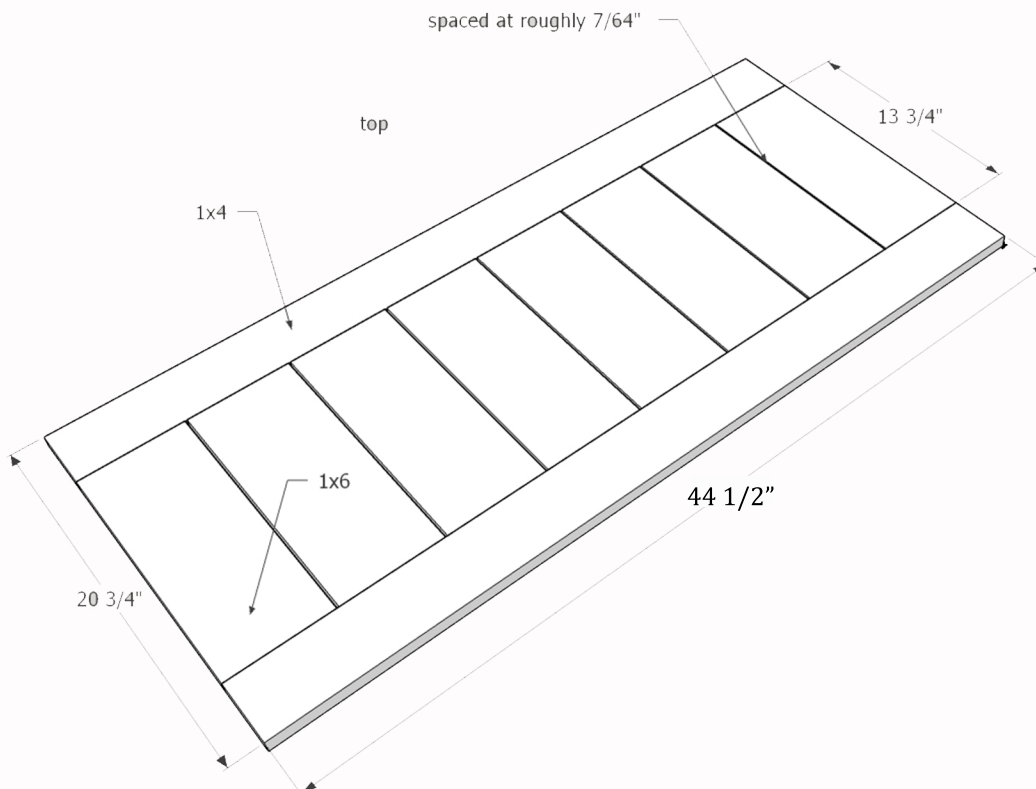


STEP 5:

I SANDED AND STAINED THE TABLE SO I WOULDN'T HAVE TO WORRY ABOUT GETTING ANY STAIN ON THE LINER. WHILE WAITING FOR THE STAIN TO DRY, I MOVED ON TO BUILDING THE LID.

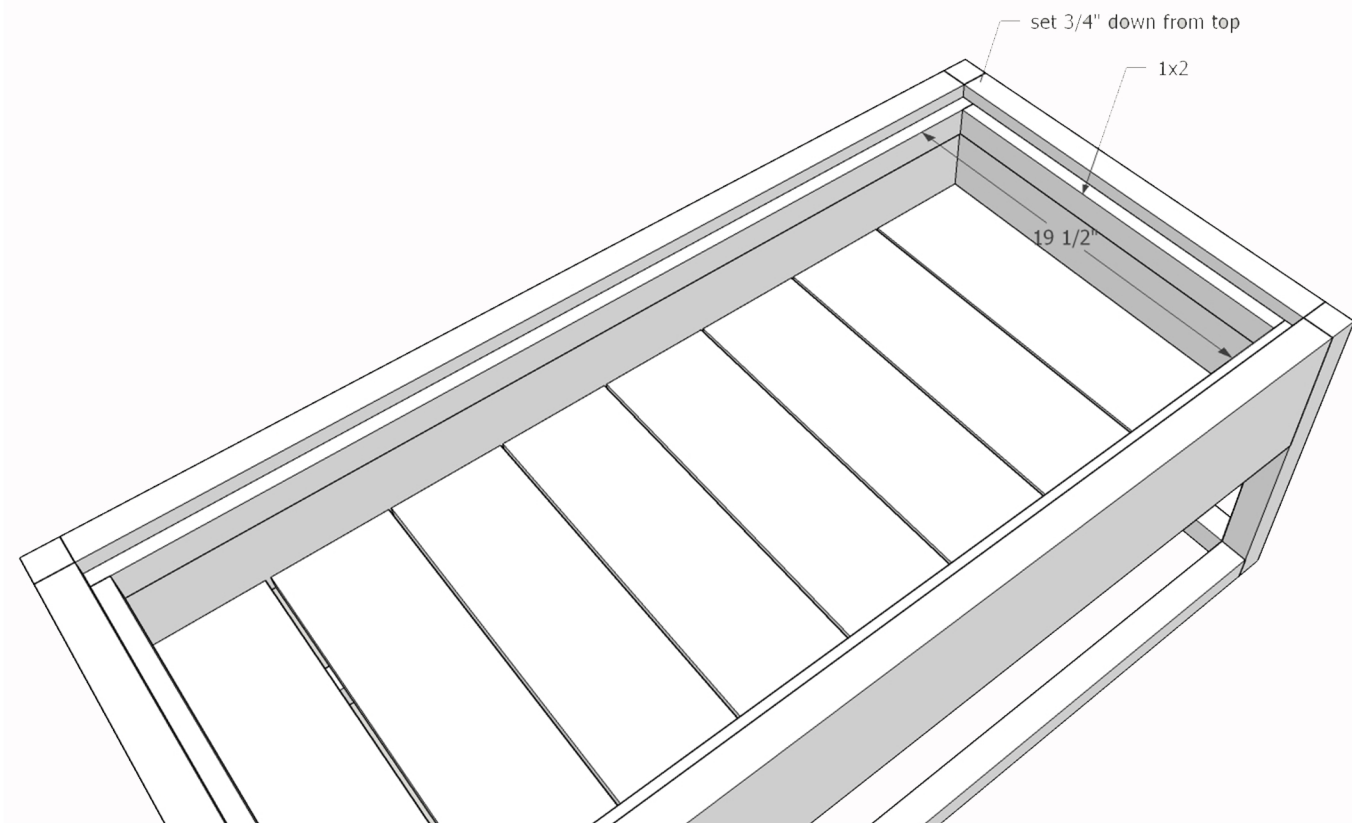
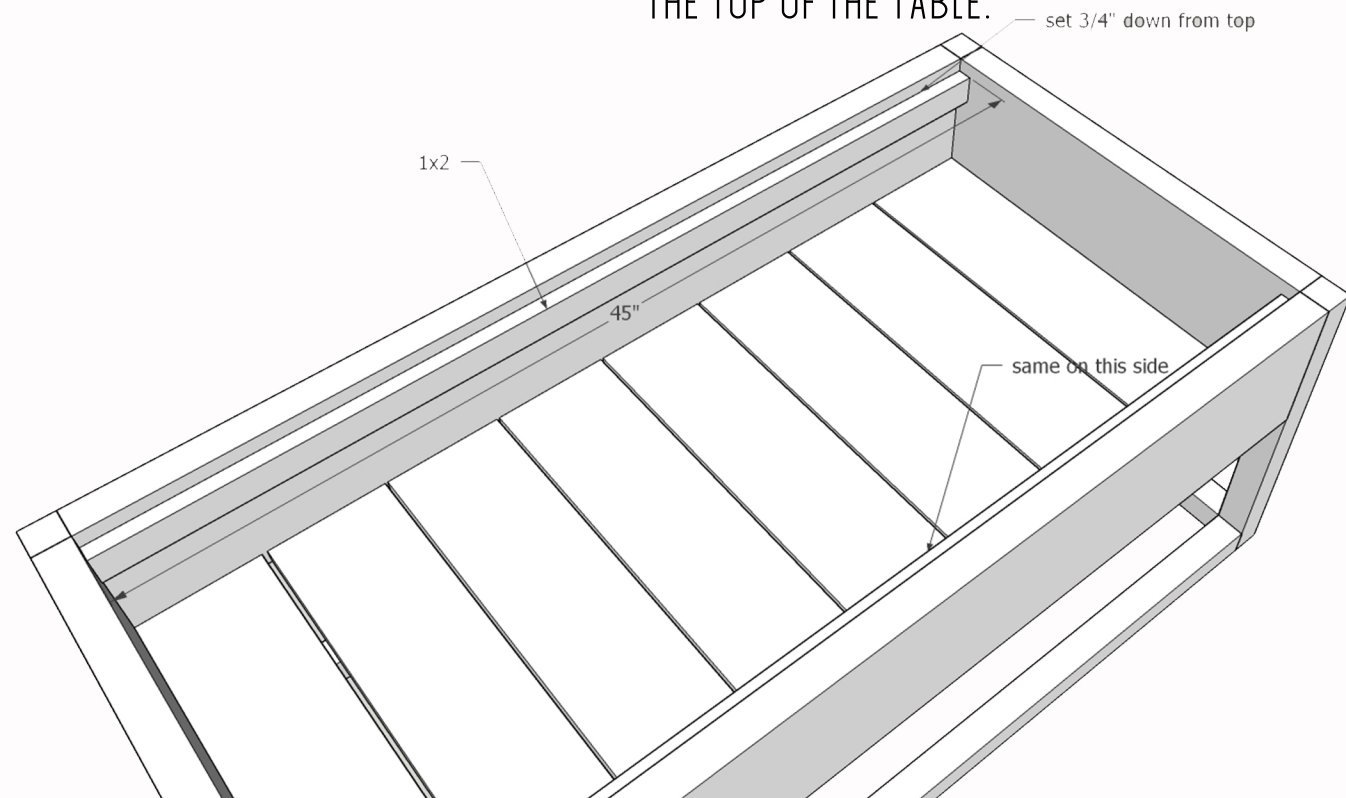
STEP 6:

YOU WILL ATTACH ALL THE LID BOARDS TO EACH OTHER (NOT TO THE TABLE) WITH THE SAME $\frac{3}{4}$ " POCKET HOLES, WOOD GLUE AND $1\frac{1}{4}$ " SCREWS. I STARTED BY ATTACHING THE TWO END BOARDS FIRST AND THEN SPACED THEM OUT FROM THERE!



STEP 7:

ATTACH THE LINER WITH STAPLES. (NOT SHOWN IN THE PICS BELOW) TRIM THE EXCESS WITH AN EXACTO KNIFE, AND ADD THE LID SUPPORT BOARDS BY SCREWING THEM IN WITH 1/2" SCREWS. I SAT THE SUPPORT BOARDS DOWN 3/4" SO THE LID WILL SIT FLUSH WITH THE TOP OF THE TABLE.



SAND AND STAIN THE LID. FILL THAT BABY WITH SAND AND TOYS! I ADDED RUBBER FEET TO THE BOTTOM TO KEEP THE WOOD FROM SITTING DIRECTLY ON THE GROUND. YOU CAN FIND OUT MORE IN THE BLOG POST IF YOU NEED!

